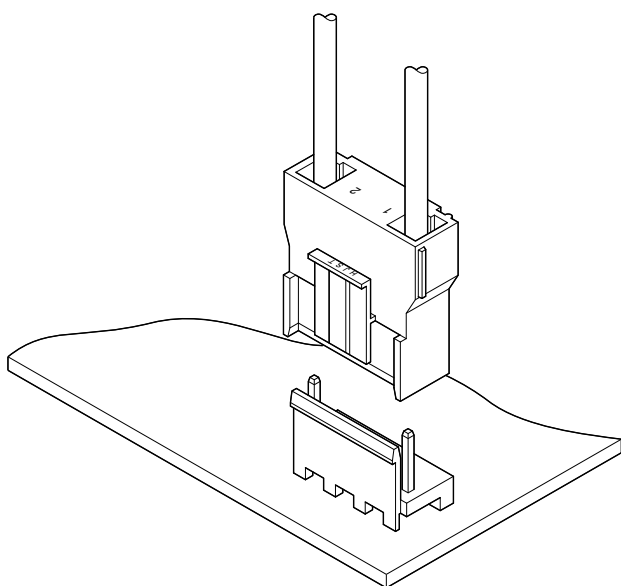




# VT CONNECTOR

11.88 mm pitch/Disconnectable Crimp style connectors



The VT connector is a 11.88 mm pitch disconnectable crimp style connector with current rating of 12 A. It has features such as the PC board locking device, misinsertion preventive construction and arm-lock mechanism. Its header is applicable to reinforced PC boards with eyelets.

- Connectable to vinyl insulated flat cables
- Use of PC board locking device
- Correct and secure mating
- Applicable to reinforced PC boards with eyelets

## Specifications

- Current rating: 12 A AC/DC (AWG #16)
- Voltage rating: 250 V AC/DC
- Temperature range: -25°C to +85°C  
(including temperature rise in applying electrical current)
- Contact resistance: Initial value/ 10 mΩ max.  
After environmental tests/ 20 mΩ max.
- Insulation resistance: 1,000 MΩ min.
- Withstanding voltage: 1,500 VAC/minute
- Applicable wire: AWG #20 to #16
- Applicable PC board thickness: 1.6 mm

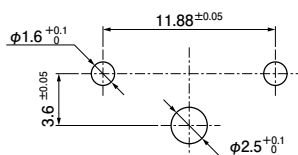
\* In using the products, refer to "Handling Precautions for Terminals and Connectors" described on our website (Technical documents of Product information page).

- \* RoHS2 compliance
- \* Dimensional unit: mm
- \* Contact JST for details.

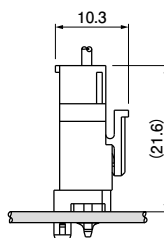
## Standards

- Ⓜ Recognized E60389
- Ⓢ Certified LR20812
- ⚠ R50068570

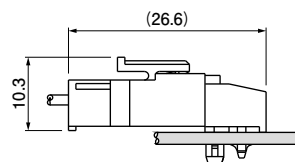
## PC board layout and Assembly layout



Top entry type



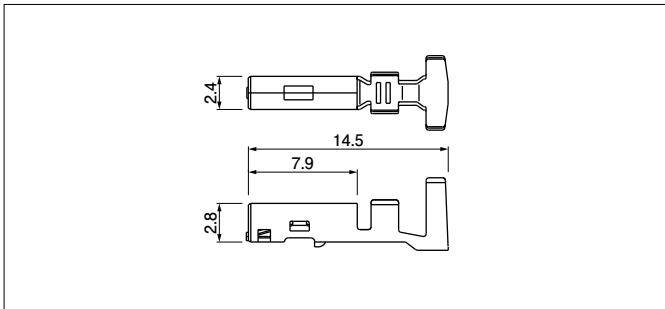
Side entry type



- Note: 1. The above figure is the figure viewed from the connector mounting side.  
 2. Tolerances are non-cumulative:  $\pm 0.05$  mm for all centers.  
 3. Hole dimensions differ according to the type of PC board and piercing method.  
 The dimensions above should serve as a guideline. Contact JST for details.

# VT CONNECTOR

## Contact



Model No.	Applicable wire		Q'ty/reel
	AWG #	Insulation O.D. (mm)	
SVT-41T-P1.1	20~16	2.7~3.9	2,500

### Material and Finish

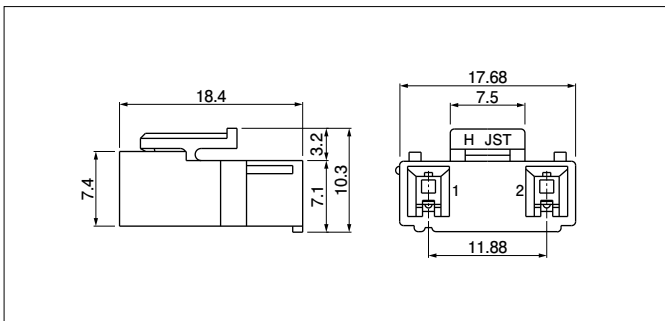
Alloy (phosphor bronze system), tin-plated (reflow treatment)

### RoHS2 compliance

Contact	Crimping machine	Applicator		
		Crimp applicator	Dies	Crimp applicator with dies
SVT-41T-P1.1	AP-K2N	MKS-L	MK/SVT-41-11	APLMK SVT41-11

Note: Contact JST for fully automatic crimping applicator.

## Housing



No. of circuits	Model No.	Q'ty/bag
2	VTR-02	500

### Material and Finish

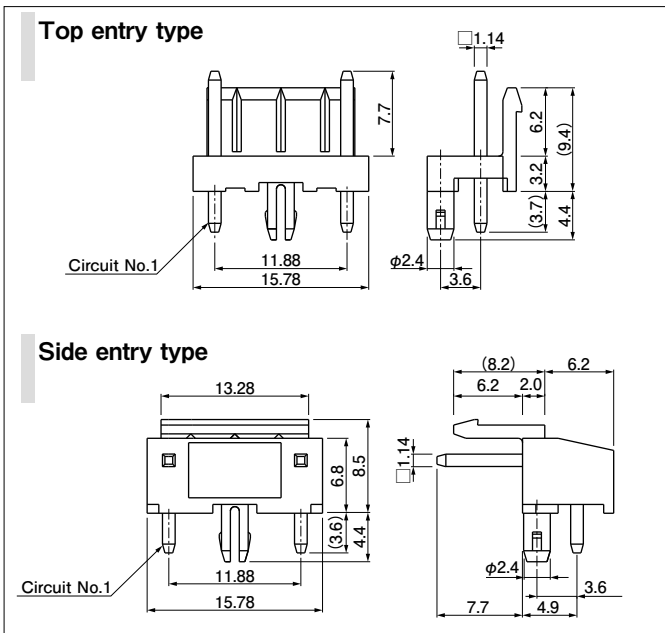
PA 66, UL94V-0, natural (white)

### RoHS2 compliance

<For reference> As the color identification, the following alphabet shall be put in the underlined part. For availability, delivery and minimum order quantity, contact JST.

ex. **VTR-02-oo**  
 (blank)...natural (white)  
 Z...ivory

## Locking header



No. of circuits	Model No.		Q'ty/box	
	Top entry type	Side entry type	Top entry type	Side entry type
2	B02B-VT	S02B-VT	500	250

### Material and Finish

Post: Copper, tin-plated (reflow treatment)  
 Wafer: Glass-filled PA 66, UL94V-0, natural (ivory)

RoHS2 compliance This product displays (LF)(SN) on a label.