

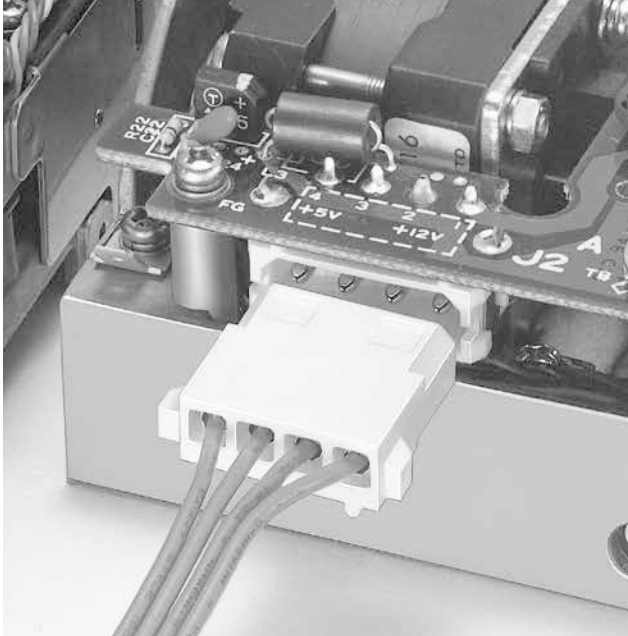
JST

Crimp

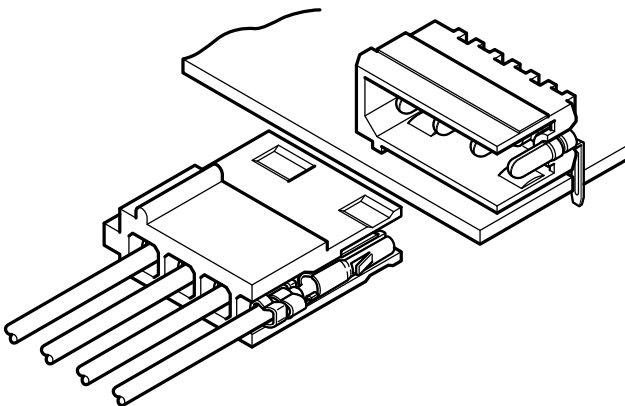
5.08mm
pitch

LC CONNECTOR

Disconnectable Crimp style connectors



This reliable, low cost connector is suited for bringing power to printed circuit boards in office automation equipment. A major application has been in secondary power supply circuits of floppy disk drives.



Features

- **Anti-misinsertion feature**

The plug and header are polarized, thus preventing misinsertion of the connector.

- **Self-locking housing clamp**

The self-locking housing clamp for the header ensures easy handling and sturdy mounting.

- **Two kinds of headers (Side entry type)**

Type A and B headers are available to match the mounting direction of your printed circuit boards.

- **Two-wire crimp style contact**

Two-wire crimp contacts which facilitate branch connections and internal jumpering are available.

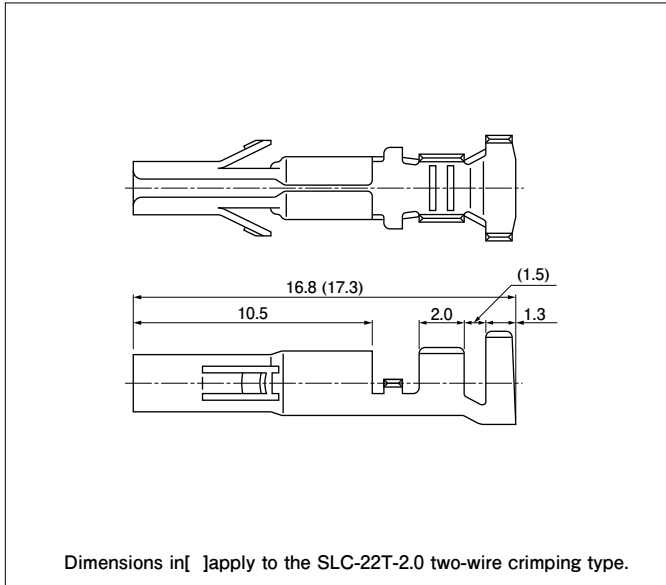
Specifications

- Current rating: 7A AC, DC (AWG #18)
- Voltage rating: 250V AC, DC
- Temperature range: -25°C to +90°C
(including temperature rise in applying electrical current)
- Contact resistance: Initial value/10mΩ max.
After environmental testing/20mΩ max.
- Insulation resistance: 1,000MΩ min.
- Withstanding voltage: 1,500V AC/minute
- Applicable wire: AWG #22 to #18
- Applicable PC board thickness: 1.6mm
- Number of circuits: 4
- * Compliant with RoHS.
- * Refer to "General Instruction and Notice when using Terminals and Connectors" at the end of this catalog.
- * Contact JST for details.

Standards

- Ⓜ Recognized E60389
- Ⓢ Certified LR20812

Contact



One-wire crimping type

Model No.	Applicable wire			Q'ty / reel
	mm ²	AWG #	Insulation O.D. (mm)	
SLC-21T-2.0	0.33 to 0.75	22 to 18	1.7 to 2.1	4,000

Material and Finish

Brass, tin-plated (reflow treatment)

RoHS compliance

Two-wire crimping type

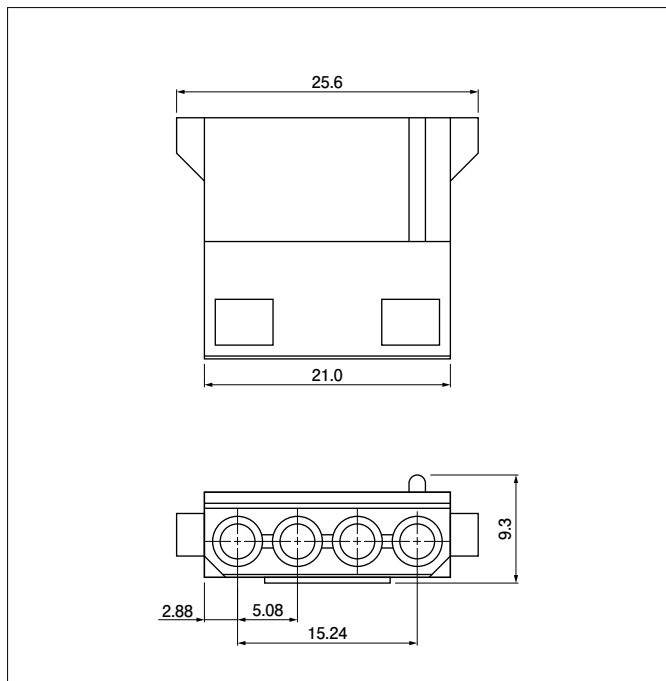
Model No.	Combination of applicable wires UL1007 AWG #	Q'ty / reel
SLC-22T-2.0	20+20, 20+18, 18+18	3,000

Material and Finish

Brass, tin-plated (reflow treatment)

RoHS compliance

Housing



Model No.	Q'ty / box
LCP-04	500

Material

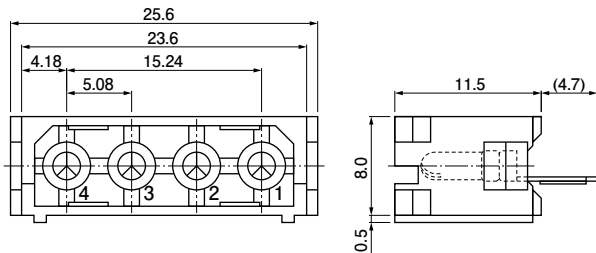
PA 6, UL94V-0, natural (white)

RoHS compliance

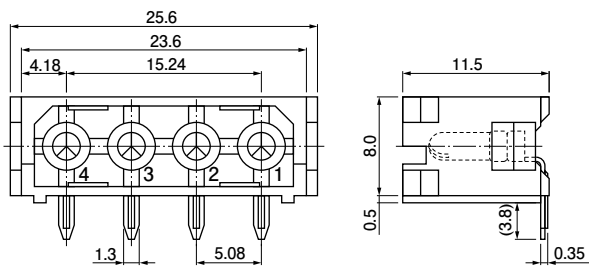
LC CONNECTOR

Header

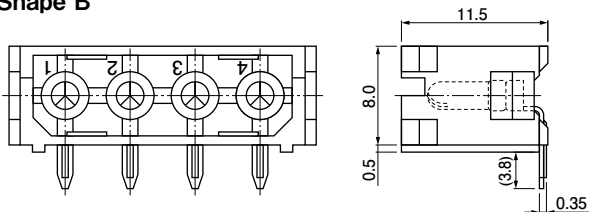
Top entry type



Side entry type Shape A



Shape B



Top entry type

Model No.	Q'ty / box
LC-04T	100

Material and Finish

Contact: Brass, tin-plated (reflow treatment)
Housing: PA 66, UL94V-0, natural (white)

RoHS compliance

Side entry type

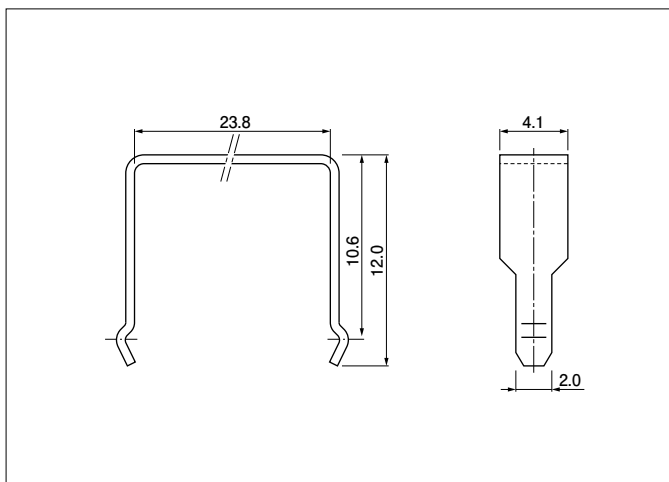
Shape	Model No.	Q'ty / box
A	LC-04A	100
B	LC-04B	

Material and Finish

Contact: Brass, tin-plated (reflow treatment)
Housing: PA 66, UL94V-0, natural (white)

RoHS compliance

Housing clamp



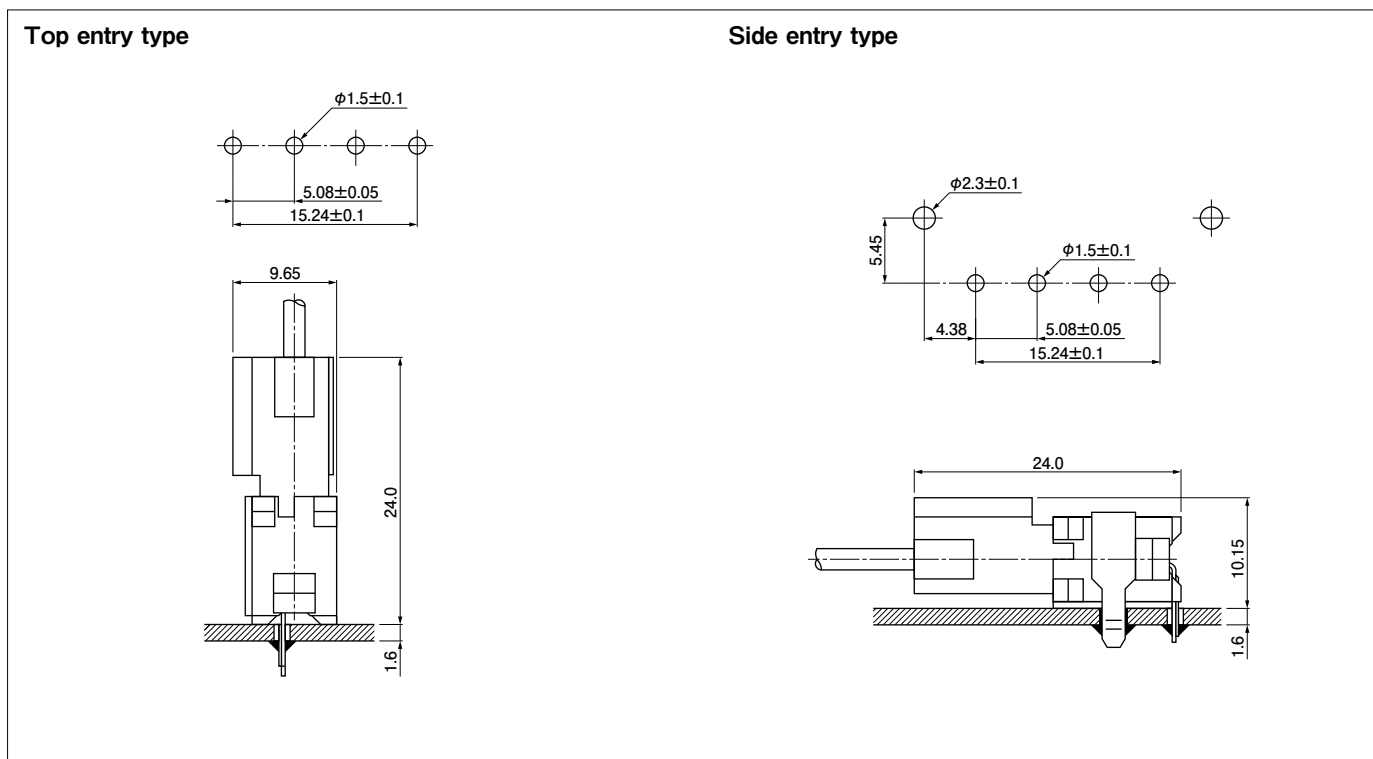
Model No.	Q'ty / box
LCC-04	500

Material and Finish

Brass, tin-plated (reflow treatment)

RoHS compliance

PC board layout (viewed from component side) and Assembly layout



Note:

1. Tolerances are non-cumulative: ± 0.05 mm for all centers.
2. Hole dimensions differ according to the type of PC board and piercing method. The dimensions above should serve as a guideline. Contact JST for details.

LC CONNECTOR

Model number allocation

Contact

SLC - 21 T - 2.0

Form: S...Strip form, L...Loose piece

Series name

Applicable wire range: 21...AWG #22 to #18,
22...AWG #20 + #20, AWG #20 + #18
AWG #18 + #18

Surface finish: T...Tin-plated (reflow treatment)

Terminal size

Housing

LCP - 04

Series name

Part name: Plug

No. of circuits: 4

Header

LC - 04 T

Series name

No. of circuits: 4

Shape of assembled product: T...Top entry type
A...Side entry type Type A
B...Side entry type Type B

Housing clamp

LCC - 04

Series name

Part name: Clamp

No. of circuits: 4

Crimping machine, Applicator

Contact	Crimping machine	Applicator		
		Crimp applicator	Dies	Crimp applicator with dies
SLC-21T-2.0	AP-K2N	MKS-L	MK/SLC-21-20	APLMK SLC21-20
SLC-22T-2.0			MK/SLC-22-20	APLMK SLC22-20

Note: Contact JST for fully automatic crimping applicator.