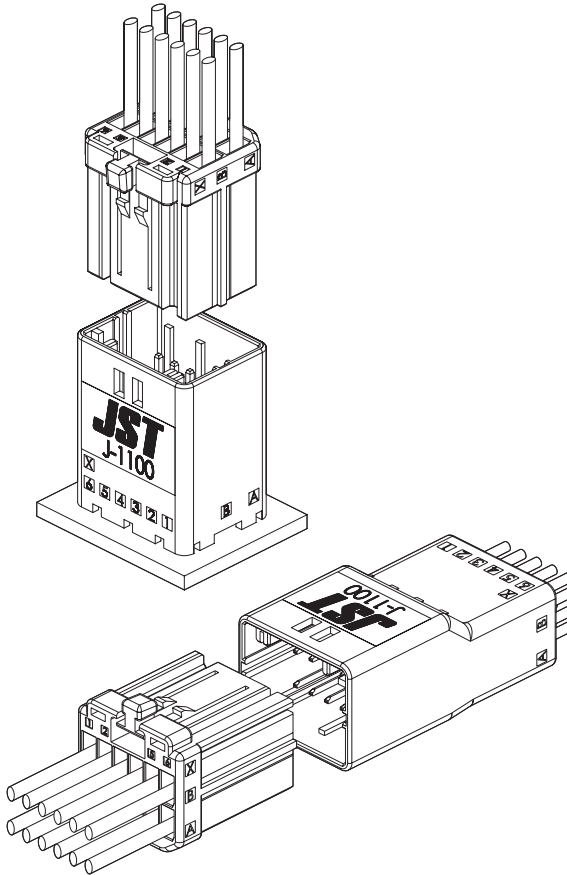




JFA CONNECTOR J1000 SERIES

2.2mm pitch/Disconnectable Crimp style connectors(Wire-to-board/Wire-to-wire)



Connectors for signal circuit or power supply circuit, applicable to the factory automation, heavy electric machinery, and other industrial equipment in general. In spite of various kinds of housings available, their contacts are designed to be common. The applicable tooling can be standardized.

- Double-spring construction
- Up to AWG #18 with 2.2 mm pitch
- Housing lance
- Secure locking method
- Recognition mark

Specifications

•Current rating: Unit: (A)

| Circuits | Wire size (AWG) | | | | | |
|----------|-----------------|-----|-----|-----|-----|-----|
| | #18 | #20 | #22 | #24 | #26 | #28 |
| 3 | 6.4 | 5.4 | 4.8 | 4.0 | 3.4 | 2.8 |
| 6 | 5.5 | 4.6 | 4.0 | 3.4 | 2.9 | 2.4 |
| 8 | 5.5 | 4.6 | 4.0 | 3.1 | 2.6 | 2.2 |
| 12 | 4.7 | 3.9 | 3.4 | 2.7 | 2.3 | 2.0 |
| 20 | 4.0 | 3.4 | 3.0 | 2.4 | 2.0 | 1.8 |
| 22 | 3.9 | 3.3 | 2.9 | 2.3 | 1.9 | 1.7 |
| 26 | 3.6 | 3.0 | 2.6 | 2.2 | 1.8 | 1.6 |
| 30 | 3.6 | 3.0 | 2.6 | 2.1 | 1.7 | 1.5 |

•Voltage rating: 125 V AC, DC/ J1100
250 V AC, DC/ J1800

•Temperature range: -55°C to +105°C
(including temperature rise in applying electrical current)

•Applicable wire: AWG #28 to #18

•Applicable PC board thickness: 1.6 mm

*In using the products, refer to "Handling Precaution for Terminal and Connector" described on our website (Technical documents of Product information page).

*Contact JST for details.

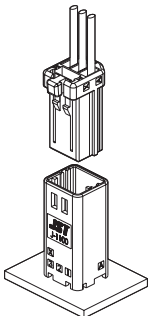
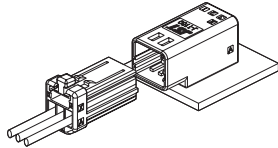
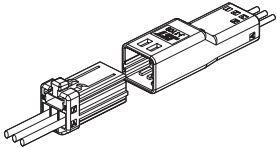
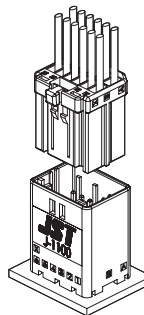
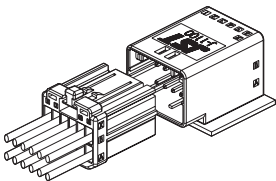
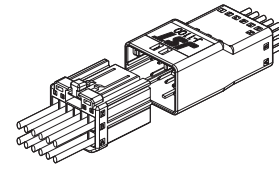
*RoHS2 compliance.

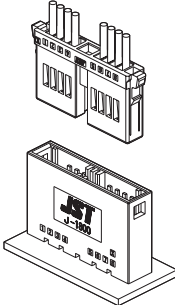
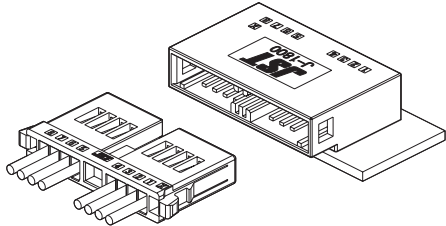
Standards

 Recognized E60389

JFA CONNECTOR/J1000 SERIES

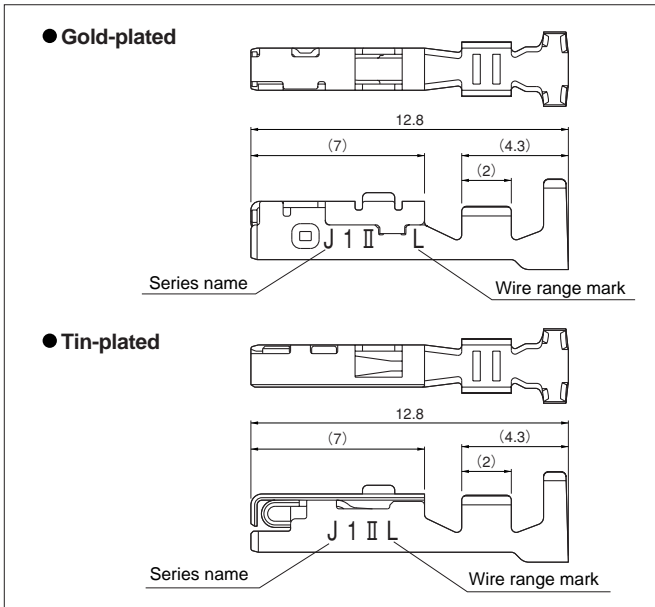
List of J1000 series products

| Type | | 2.2 mm pitch / Voltage rating 125 V AC, DC | | |
|---------------------|-----------------------|------------------------------------------------------------------------------------|-------------------------------------------------------------------------------------|--------------------------------------------------------------------------------------|
| | | Wire-to-board | | Wire-to-wire |
| | | Top entry type | Side entry type | Free hanging type |
| Center locking type | J1100 Single-row type |  |  |  |
| | Circuits | 3 | 3 | 3 |
| | J1100 Double-row type |  |  |  |
| | Circuits | 6, 8, 12, 20, 22, 26, 30 | 6, 8, 12, 20, 30 | 6, 8, 12, 20, 26 |

| Type | | 2.2 mm pitch / Voltage rating 250 V AC, DC | |
|-------------------------------|-----------------------|-------------------------------------------------------------------------------------|---------------------------------------------------------------------------------------|
| | | Wire-to-board | |
| | | Top entry type | Side entry type |
| Side locking type (Thin type) | J1800 Single-row type |  |  |
| | Circuits | 8 | 8 |

JFA CONNECTOR/J1000 SERIES

Receptacle contact



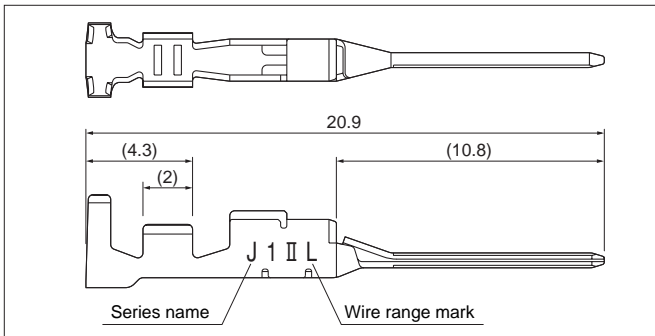
| Strip contact Model No. | Series | Applicable wire | | | Insulation O.D. (mm) | Q'ty/ reel |
|-------------------------|--------------|-----------------|-----------------|-------|----------------------|------------|
| | | Size | mm ² | AWG # | | |
| SF1F-002GC-P0.6 | Gold (0.2μm) | M | 0.08~0.2 | 28~24 | 0.88~1.43 | 6,000 |
| SF1F-002T-P0.6 | Tin | | | | | |
| SF1F-01GC-P0.6 | Gold (0.2μm) | ME | 0.2~0.5 | 24~20 | 1.30~1.90 | 5,500 |
| SF1F-21GC-P0.6 | Gold (0.2μm) | L | 0.3~0.8 | 22~18 | 1.50~2.10 | 5,000 |
| SF1F-21T-P0.6 | Tin | | | | | |

| Material and Finish | |
|---------------------------------------------------------|--|
| Copper alloy, nickel-undercoated, selective gold-plated | |
| Tin-plated | |

RoHS2 compliance

Note: Contact JST for 0.76 μm gold-plated product.

Tab contact



| Strip contact Model No. | Series | Applicable wire | | | Insulation O.D. (mm) | Q'ty/ reel |
|-------------------------|--------------|-----------------|-----------------|-------|----------------------|------------|
| | | Size | mm ² | AWG # | | |
| SF1M-002GC-M0.6A | Gold (0.2μm) | M | 0.08~0.2 | 28~24 | 0.88~1.43 | 6,000 |
| SF1M-002T-M0.6A | Tin | | | | | |
| SF1M-01GC-M0.6A | Gold (0.2μm) | ME | 0.2~0.5 | 24~20 | 1.30~1.90 | 5,500 |
| SF1M-21GC-M0.6A | Gold (0.2μm) | L | 0.3~0.8 | 22~18 | 1.50~2.10 | 5,000 |
| SF1M-21T-M0.6A | Tin | | | | | |

| Material and Finish | |
|---------------------------------------------------------|--|
| Copper alloy, nickel-undercoated, selective gold-plated | |
| Tin-plated | |

RoHS2 compliance

Note: Contact JST for 0.76 μm gold-plated product.

Crimping machine, Applicator

| Strip contact Model No. | Crimping machine | Applicator | | | |
|-------------------------|------------------|------------------|-------------------|----------------------------|------------------|
| | | Crimp applicator | Dies | Crimp applicator with dies | Hand crimp tools |
| SF1F-002(*) -P0.6 | AP-K2N | MKS-L | MK/SF1F/ M-002-06 | APLMK SF1F/ M002-06 | YRK-1220 |
| SF1M-002(*) -M0.6A | | | | | |
| SF1F-01GC -P0.6 | AP-K2N | MKS-L | MK/SF1F/ M-01-06 | APLMK SF1F/ M01-06 | YRK-1230 |
| SF1M-01GC -M0.6A | | | | | |

| Strip contact Model No. | Crimping machine | Applicator | | | |
|-------------------------|------------------|------------------|------------------|----------------------------|------------------|
| | | Crimp applicator | Dies | Crimp applicator with dies | Hand crimp tools |
| SF1F-21(*) -P0.6 | AP-K2N | MKS-L | MK/SF1F/ M-21-06 | APLMK SF1F/ M21-06 | YRK-1210 |
| SF1M-21(*) -M0.6A | | | | | |

Note: Finish (*): GC ...Nickel-undercoated, 0.2 μm selective gold-plated
TTin-plated

- Extraction tool for J1100 series: EJ-JFAJ1100/EJ-JFAJ1100N
- Extraction tool for J1800 series: EJ-JFAJ18

• Refer to the page of "Crimping tools" for details of YRK series hand crimping tools that uses a strip contact.

Note: Contact JST for fully automatic crimping applicator.

Recognition mark

• Plating of the contact

Each contact has a marking on its side so that the type or thickness of the plating is recognized.

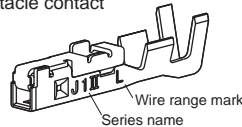
- 1 ... gold-plated 0.2 μm thickness
- 3 ... gold-plated 0.76 μm thickness
- 5 ... tin-plated

• Common marking on the contact and its application tools

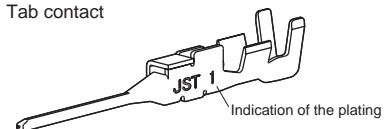
In order to avoid incorrect combination of the hand crimp tools or extraction tools and the contacts, the series name (for example J1 II) and wire range mark (M, ME, L) are shown on both the tools and the contacts.

| | | |
|-------|---------|---------------|
| J1 II | M..... | AWG #28 ~ #24 |
| | ME..... | AWG #24 ~ #20 |
| | L..... | AWG #22 ~ #18 |

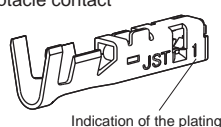
Receptacle contact



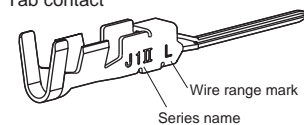
Tab contact



Receptacle contact



Tab contact



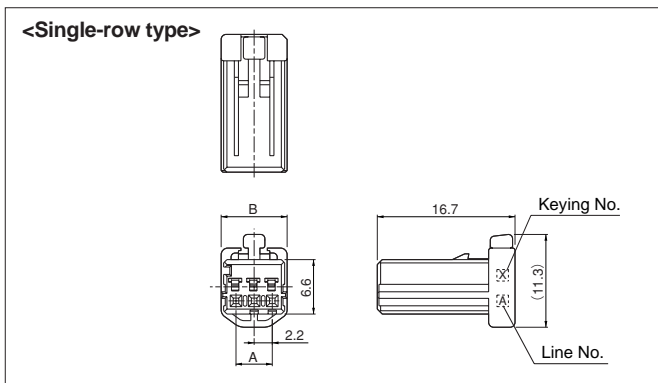
J1000 SERIES/J1100

Assembly layout

| Type | Wire-to-board | | Wire-to-wire |
|---------------------------------|----------------|-----------------|-------------------|
| | Top entry type | Side entry type | Free hanging type |
| J1100 Single-row type | | | |
| J1100 Double-row type | | | |

J1000 SERIES/J1100

Receptacle housing



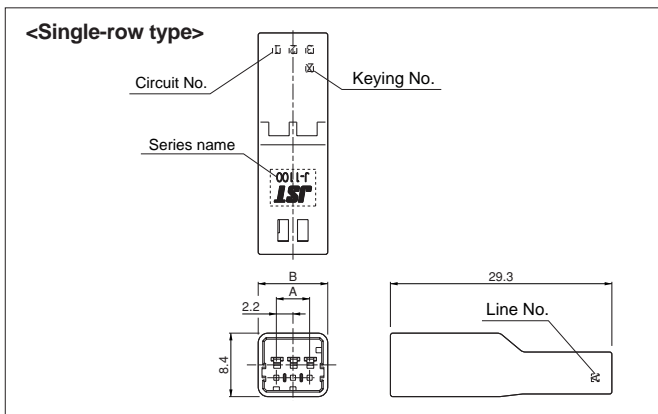
| Circuits | Keying | Model No. | Dimensions (mm) | | Q'ty/box |
|----------|--------|---------------------|-----------------|-----|----------|
| | | | A | B | |
| 3 | X | J11SF-03V-KX | 4.4 | 8.0 | 1,200 |
| | Y | J11SF-03V-KY | 4.4 | 8.0 | 1,200 |

Material and Finish

Glass-filled PBT, UL94V-0, black

RoHS2 compliance

Tab housing



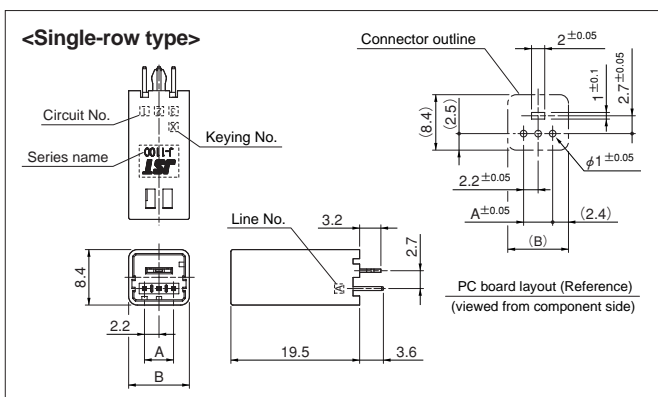
| Circuits | Keying | Model No. | Dimensions (mm) | | Q'ty/box |
|----------|--------|----------------------|-----------------|-----|----------|
| | | | A | B | |
| 3 | X | J11SFM-03V-KX | 4.4 | 9.2 | 500 |
| | Y | — | — | — | — |

Material and Finish

Glass-filled PBT, UL94V-0, black

RoHS2 compliance

Header Top entry type



| Circuits | Plating | Keying | Model No. | Dimensions (mm) | | Q'ty/box |
|----------|--------------|--------|------------------------|-----------------|-----|----------|
| | | | | A | B | |
| 3 | Gold (0.2μm) | X | B03B-J11SK-GWXR | 4.4 | 9.2 | 625 |
| | | Y | B03B-J11SK-GWYR | | | |
| | Tin | X | B03B-J11SK-TXR | 4.4 | 9.2 | |
| | | Y | B03B-J11SK-TYR | | | |

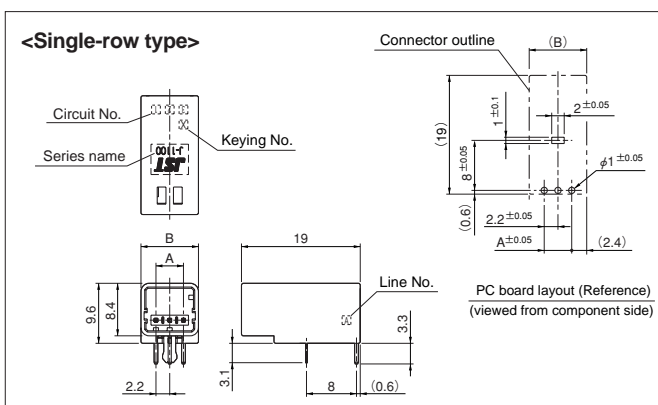
Material and Finish

Post: Copper alloy, gold-plated, tin-plated
Housing: Glass-filled PBT, UL94V-0, black
Reinforcement: Copper alloy, tin-plated

RoHS2 compliance

Note: 1. Gold-plated product displays (LF) on a label.
2. Contact JST for 0.76 μm gold-plated product.

Header Side entry type



| Circuits | Plating | Keying | Model No. | Dimensions (mm) | | Q'ty/box |
|----------|--------------|--------|------------------------|-----------------|-----|----------|
| | | | | A | B | |
| 3 | Gold (0.2μm) | X | S03B-J11SK-GWXR | 4.4 | 9.2 | 600 |
| | | Y | S03B-J11SK-GWYR | | | |
| | Tin | X | S03B-J11SK-TXR | 4.4 | 9.2 | |
| | | Y | S03B-J11SK-TYR | | | |

Material and Finish

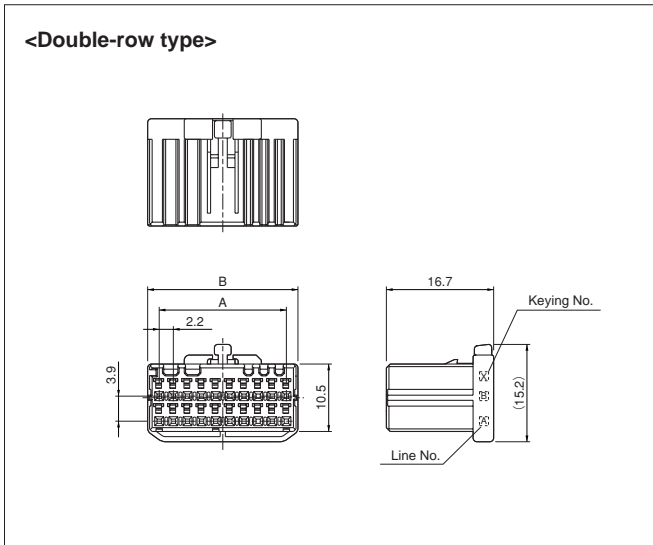
Post: Copper alloy, gold-plated, tin-plated
Housing: Glass-filled PBT, UL94V-0, black
Reinforcement: Copper alloy, tin-plated

RoHS2 compliance

Note: 1. Gold-plated product displays (LF) on a label.
2. Contact JST for 0.76 μm gold-plated product.

J1000 SERIES/J1100

Receptacle housing



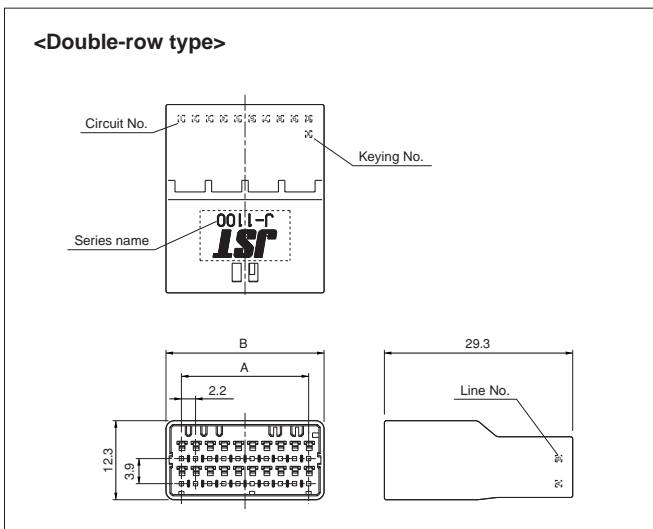
| Circuits | Keying | Model No. | Dimensions (mm) | | Q'ty/box |
|----------|--------|---------------------|-----------------|------|----------|
| | | | A | B | |
| 6 | X | J11DF-06V-KX | 4.4 | 8.0 | 800 |
| | Y | J11DF-06V-KY | 4.4 | 8.0 | 800 |
| 8 | X | J11DF-08V-KX | 6.6 | 10.2 | 500 |
| | Y | J11DF-08V-KY | 6.6 | 10.2 | 500 |
| 12 | X | J11DF-12V-KX | 11.0 | 14.6 | 400 |
| | Y | J11DF-12V-KY | 11.0 | 14.6 | 400 |
| 20 | X | J11DF-20V-KX | 19.8 | 23.4 | 250 |
| | Y | J11DF-20V-KY | 19.8 | 23.4 | 250 |
| 22 | X | J11DF-22V-KX | 22.0 | 25.6 | 250 |
| | Y | J11DF-22V-KY | 22.0 | 25.6 | 250 |
| 26 | X | J11DF-26V-KX | 26.4 | 30.0 | 200 |
| | Y | J11DF-26V-KY | 26.4 | 30.0 | 200 |
| 30 | X | J11DF-30V-KX | 30.8 | 34.4 | 180 |
| | Y | J11DF-30V-KY | 30.8 | 34.4 | 180 |

Material and Finish

Glass-filled PBT, UL94V-0, black

RoHS2 compliance

Tab housing



| Circuits | Keying | Model No. | Dimensions (mm) | | Q'ty/box |
|----------|--------|----------------------|-----------------|------|----------|
| | | | A | B | |
| 6 | X | J11DFM-06V-KX | 4.4 | 9.2 | 400 |
| | Y | J11DFM-06V-KY | 4.4 | 9.2 | 400 |
| 8 | X | J11DFM-08V-KX | 6.6 | 11.4 | 300 |
| | Y | — | — | — | — |
| 12 | X | J11DFM-12V-KX | 11.0 | 15.8 | 200 |
| | Y | — | — | — | — |
| 20 | X | J11DFM-20V-KX | 19.8 | 24.6 | 150 |
| | Y | — | — | — | — |
| 26 | X | J11DFM-26V-KX | 26.4 | 31.2 | 120 |
| | Y | J11DFM-26V-KY | 26.4 | 31.2 | 120 |

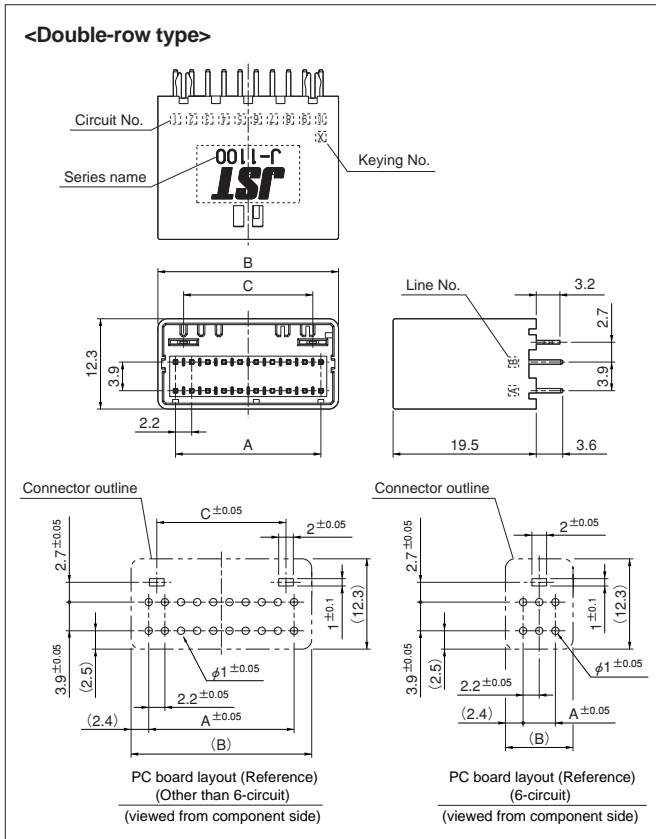
Material and Finish

Glass-filled PBT, UL94V-0, black

RoHS2 compliance

J1000 SERIES/J1100

Header Top entry type



| Circuits | Plating | Keying | Model No. | Dimensions (mm) | | | Q'ty/ box |
|----------|-----------------|--------|-----------------|-----------------|------|------|--------------|
| | | | | A | B | C | |
| 6 | Gold (0.2μm) | X | B06B-J11DK-GWXR | 4.4 | 9.2 | — | 500 |
| | | Y | B06B-J11DK-GWYR | 4.4 | 9.2 | — | 500 |
| | Tin | X | B06B-J11DK-TXR | 4.4 | 9.2 | — | 500 |
| | | Y | B06B-J11DK-TYR | 4.4 | 9.2 | — | 500 |
| 8 | Gold (0.2μm) | X | B08B-J11DK-GWXR | 6.6 | 11.4 | 4.4 | 400 |
| | | Y | B08B-J11DK-GWYR | 6.6 | 11.4 | 4.4 | 400 |
| | Tin | X | B08B-J11DK-TXR | 6.6 | 11.4 | 4.4 | 400 |
| | | Y | B08B-J11DK-TYR | 6.6 | 11.4 | 4.4 | 400 |
| 12 | Gold (0.2μm) | X | B12B-J11DK-GWXR | 11.0 | 15.8 | 8.8 | 280 |
| | | Y | B12B-J11DK-GWYR | 11.0 | 15.8 | 8.8 | 280 |
| | Tin | X | B12B-J11DK-TXR | 11.0 | 15.8 | 8.8 | 280 |
| | | Y | B12B-J11DK-TYR | 11.0 | 15.8 | 8.8 | 280 |
| 20 | Gold (0.2μm) | X | B20B-J11DK-GWXR | 19.8 | 24.6 | 17.6 | 180 |
| | | Y | B20B-J11DK-GWYR | 19.8 | 24.6 | 17.6 | 180 |
| | Tin | X | B20B-J11DK-TXR | 19.8 | 24.6 | 17.6 | 180 |
| | | Y | B20B-J11DK-TYR | 19.8 | 24.6 | 17.6 | 180 |
| 22 | Gold (0.2μm) | X | B22B-J11DK-GWXR | 22.0 | 26.8 | 19.8 | 160 |
| | | Y | B22B-J11DK-GWYR | 22.0 | 26.8 | 19.8 | 160 |
| 26 | Gold (0.2μm) | X | B26B-J11DK-GWXR | 26.4 | 31.2 | 24.2 | 140 |
| | | Y | B26B-J11DK-GWYR | 26.4 | 31.2 | 24.2 | 140 |
| 30 | Gold (0.2μm) | X | B30B-J11DK-GWXR | 30.8 | 35.6 | 28.6 | 120 |
| | | Y | B30B-J11DK-GWYR | 30.8 | 35.6 | 28.6 | 120 |

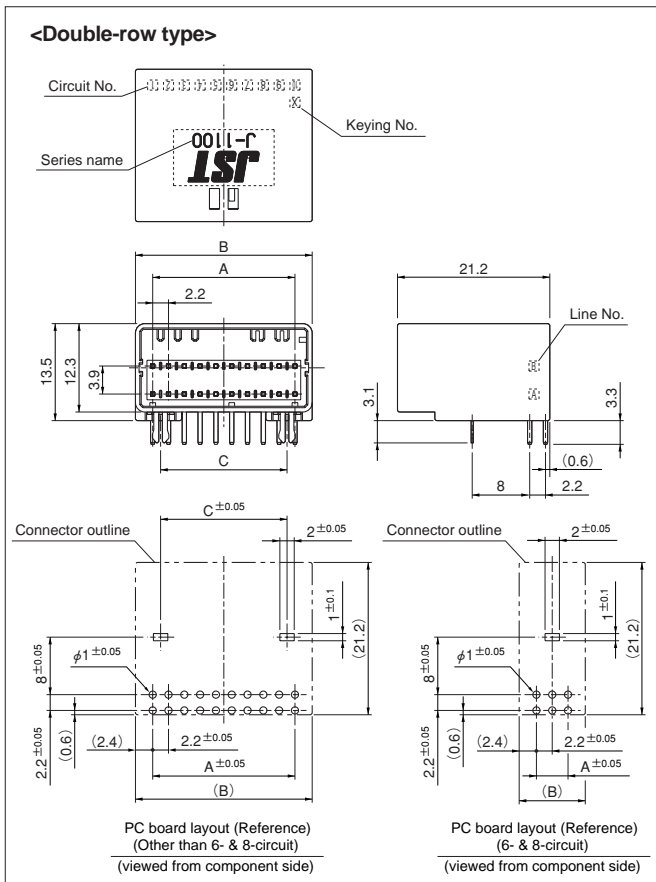
Material and Finish

Post: Copper alloy, gold-plated, tin-plated
Housing: Glass-filled PBT, UL94V-0, black
Reinforcement: Copper alloy, tin-plated

RoHS2 compliance

Note: 1. Gold-plated product displays (LF) on a label.
2. Contact JST for 0.76 μm gold-plated product.

Header Side entry type



| Circuits | Plating | Keying | Model No. | Dimensions (mm) | | | Q'ty/ box |
|----------|-----------------|--------|-----------------|-----------------|------|------|--------------|
| | | | | A | B | C | |
| 6 | Gold (0.2μm) | X | S06B-J11DK-GWXR | 4.4 | 9.2 | — | 375 |
| | | Y | S06B-J11DK-GWYR | 4.4 | 9.2 | — | 375 |
| | Tin | X | S06B-J11DK-TXR | 4.4 | 9.2 | — | 375 |
| | | Y | S06B-J11DK-TYR | 4.4 | 9.2 | — | 375 |
| 8 | Gold (0.2μm) | X | S08B-J11DK-GWXR | 6.6 | 11.4 | — | 300 |
| | | Y | S08B-J11DK-GWYR | 6.6 | 11.4 | — | 300 |
| | Tin | X | S08B-J11DK-TXR | 6.6 | 11.4 | — | 300 |
| | | Y | S08B-J11DK-TYR | 6.6 | 11.4 | — | 300 |
| 12 | Gold (0.2μm) | X | S12B-J11DK-GWXR | 11.0 | 15.8 | 8.8 | 225 |
| | | Y | S12B-J11DK-GWYR | 11.0 | 15.8 | 8.8 | 225 |
| | Tin | X | S12B-J11DK-TXR | 11.0 | 15.8 | 8.8 | 225 |
| | | Y | S12B-J11DK-TYR | 11.0 | 15.8 | 8.8 | 225 |
| 20 | Gold (0.2μm) | X | S20B-J11DK-GWXR | 19.8 | 24.6 | 17.6 | 135 |
| | | Y | S20B-J11DK-GWYR | 19.8 | 24.6 | 17.6 | 135 |
| | Tin | X | S20B-J11DK-TXR | 19.8 | 24.6 | 17.6 | 135 |
| | | Y | S20B-J11DK-TYR | 19.8 | 24.6 | 17.6 | 135 |
| 30 | Gold (0.2μm) | X | S30B-J11DK-GWXR | 30.8 | 35.6 | 28.6 | 90 |
| | | Y | — | — | — | — | |

Material and Finish

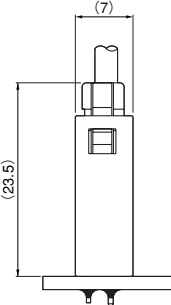
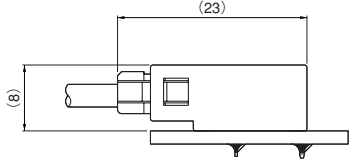
Post: Copper alloy, gold-plated, tin-plated
Housing: Glass-filled PBT, UL94V-0, black
Reinforcement: Copper alloy, tin-plated

RoHS2 compliance

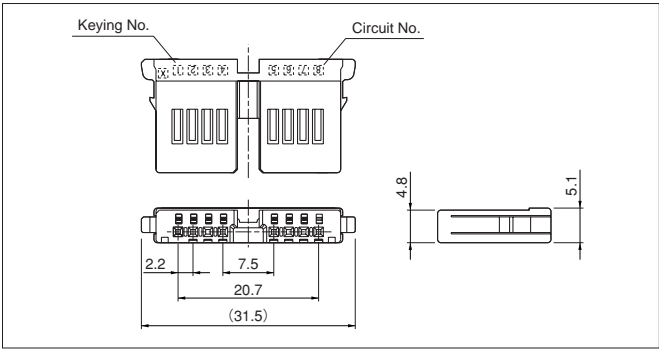
Note: 1. Gold-plated product displays (LF) on a label.
2. Contact JST for 0.76 μm gold-plated product.

J1000 SERIES/J1800

Assembly layout

| Type | Wire-to-board | |
|---------------------------------|-----------------------------------------------------------------------------------|-------------------------------------------------------------------------------------|
| | Top entry type | Side entry type |
| J1800 Single-row type |  |  |

Receptacle housing

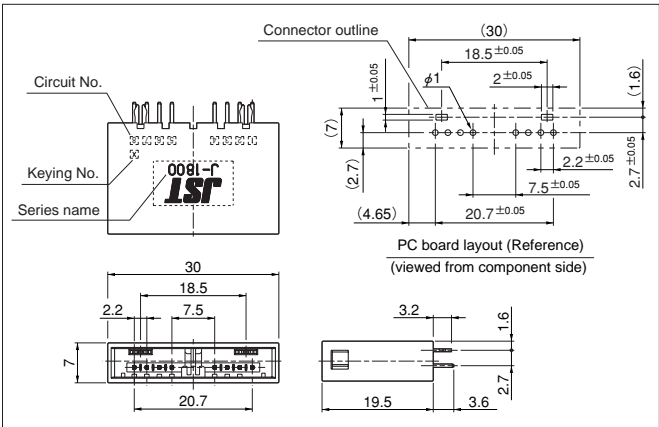


| Circuits | Keying | Model No. | Q'ty/box |
|----------|--------|---------------------|----------|
| 8 | X | J18SF-08V-KX | 450 |
| | Y | — | — |

Material and Finish
Glass-filled PBT, UL94V-0, black

RoHS2 compliance

Header Top entry type

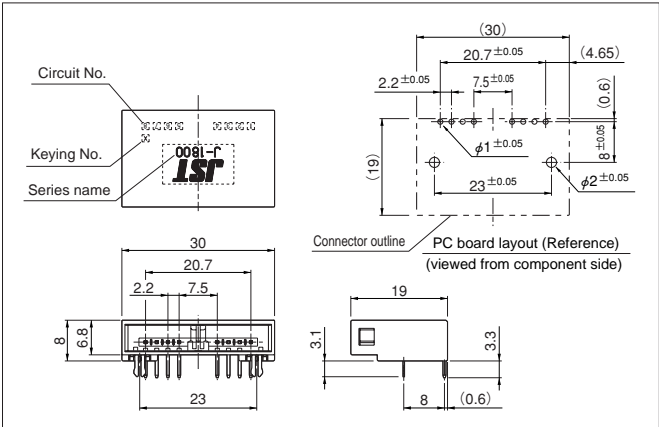


| Circuits | Keying | Model No. | Q'ty/box |
|----------|--------|-----------------------|----------|
| 8 | X | B08B-J18SK-TXR | 245 |
| | Y | — | — |

Material and Finish
Post: Copper alloy, tin-plated
Housing: Glass-filled PBT, UL94V-0, black
Reinforcement: Copper alloy, tin-plated

RoHS2 compliance

Header Side entry type



| Circuits | Keying | Model No. | Q'ty/box |
|----------|--------|-----------------------|----------|
| 8 | X | S08B-J18SK-TXR | 220 |
| | Y | — | — |

Material and Finish
Post: Copper alloy, tin-plated
Housing: Glass-filled PBT, UL94V-0, black
Reinforcement: Copper alloy, tin-plated

RoHS2 compliance

JFA CONNECTOR/J1000 SERIES

Model number identification

Receptacle contact

S F1 F - 21 T - P 0.6

Form: S...Strip form

Series name

Kind of terminal: F...Receptacle contact

Applicable wire: 002...AWG #28 ~ AWG #24
01...AWG #24 ~ AWG #20
21...AWG #22 ~ AWG #18

Surface finish: GC...Nickel-undercoated, selective gold-plated (0.2μm)
T...Tin-plated

Material: P...Copper alloy

Terminal size

Tab contact

S F1 M - 21 T - M 0.6 A

Form: S...Strip form

Series name

Kind of terminal: M...Tab contact

Applicable wire: 002...AWG #28 ~ AWG #24
01...AWG #24 ~ AWG #20
21...AWG #22 ~ AWG #18

Surface finish: GC...Nickel-undercoated, selective gold-plated (0.2μm)
T...Tin-plated

Material: M...Copper alloy

Terminal size

Sub model number

Receptacle housing

J11 DF - 06 V - K X

Series name

Type of connector: SF...Single-row type
DF...Double-row type

Circuits: 3, 6, 8, 12, 20, 22, 26, 30

Flammability: V...UL94V-0

Color indication: K...Black

Keying: X...X-Keying, Y...Y-Keying

Tab housing

J11 DFM - 06 V - K X

Series name

Type of connector: SFM...Single-row type
DFM...Double-row type

Circuits: 3, 6, 8, 12, 20, 26

Flammability: V...UL94V-0

Color indication: K...Black

Keying: X...X-Keying, Y...Y-Keying

Header

B 06 B - J11 D K - T X R

PC board mounting direction:
B...Top entry type
S...Side entry type

Circuits: 3, 6, 8, 12, 20, 22, 26, 30

Product name: Header

Series name

Rows: S...Single-row, D...Double-row

Color indication: K...Black

Surface finish: GW...Gold-plated (0.2μm), T...Tin-plated

Keying: X...X-Keying, Y...Y-Keying

Packaging form: R...Tray