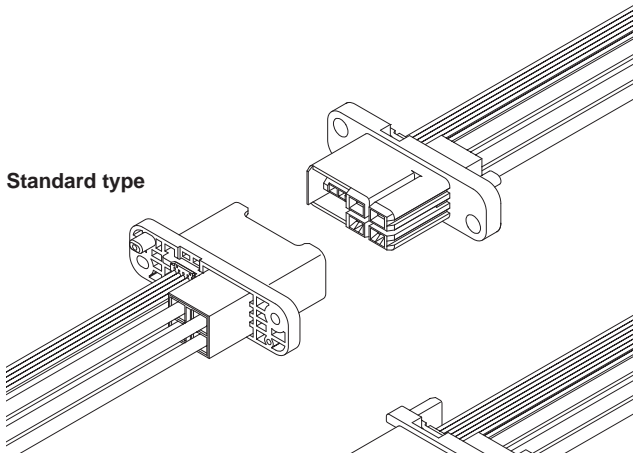


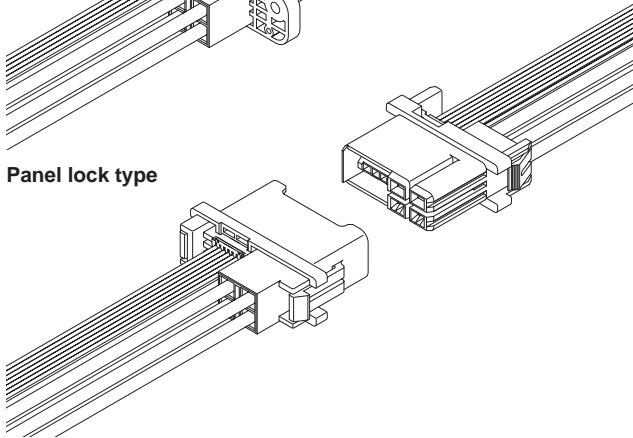
RWZ CONNECTOR

Disconnectable Crimp style Wire-to-wire connectors

Standard type



Panel lock type



In unit connection, this RWZ connector is a hybrid type double row drawer connector with combined signal and power supply circuits, absorbs misalignment between units, and excels durability.

- High durability
- Absorbed misalignment mechanism
- Space saving
- Hybrid type

Specifications

- Current rating: Signal circuit 1.0 A AC, DC (AWG #26)
Power supply circuit 15 A AC, DC (AWG #14)
- Voltage rating: Signal circuit 50 V AC, DC
Power supply circuit 250 V AC, DC
- Temperature range: -25°C to +85°C
(including temperature rise in applying electrical current)
- Contact resistance:
Signal circuit Initial value/ 40 mΩ max.
After environmental tests/ 60 mΩ max.
Power supply circuit Initial value/ 10 mΩ max.
After environmental tests/ 20 mΩ max.
- Insulation resistance: 500 MΩ min.
- Withstanding voltage: Signal circuit 500 VAC
Power supply circuit 1,500 VAC
- Applicable wire: Power supply circuit Conductor AWG #24 to #14
Insulation O.D. 1.4 to 3.6 mm
Signal circuit Applicable receptacle CZ, CZH
- Mounting method: Screw, Panel lock

* In using the products, refer to "Handling Precaution for Terminal and Connector" described on our website (Technical documents of Product information page).

* Contact JST for details.

* Compliant with RoHS.

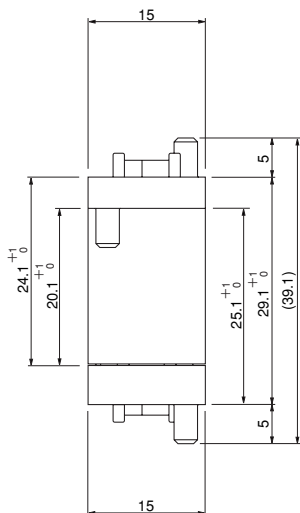
Standards

Recognized E60389

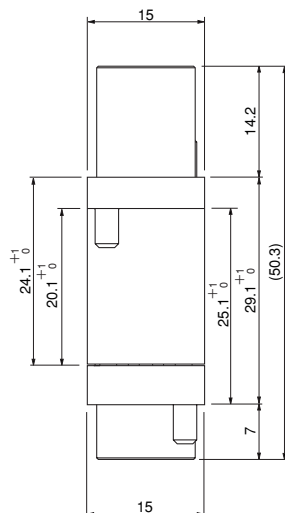
Certified LR20812

Assembly layout

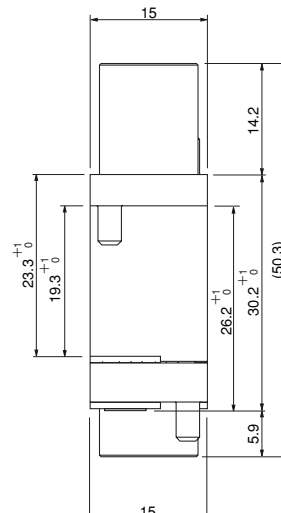
Standard type
Signal type



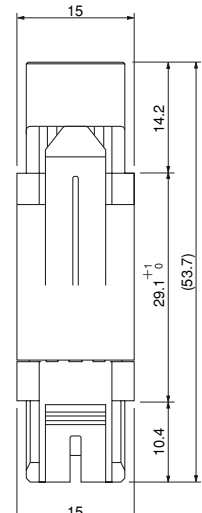
Standard type
Hybrid type



Floating bushing type
Hybrid type



Panel lock type
Hybrid type

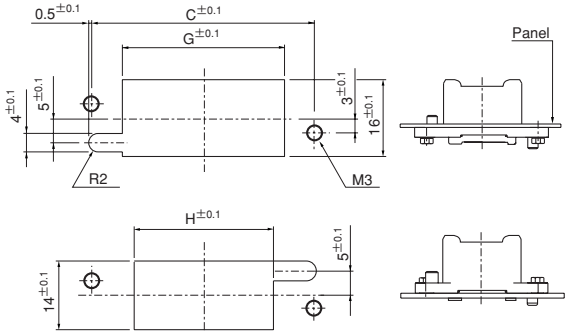


Panel layout

Plug

Standard type

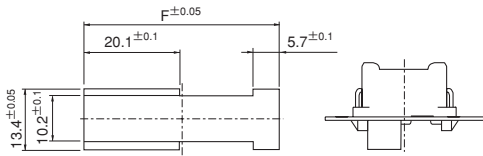
Panel thickness: 0.8 to 2.0 mm



Plug

Panel lock type

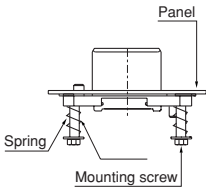
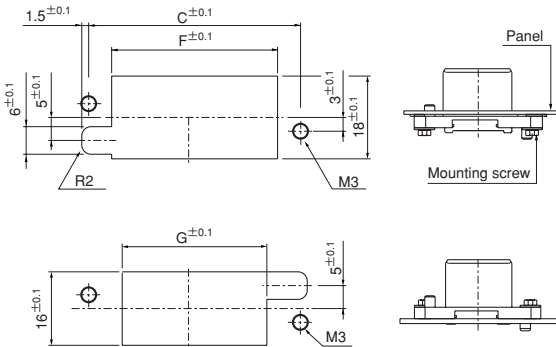
Panel thickness: 2.0 mm



Receptacle

Standard type

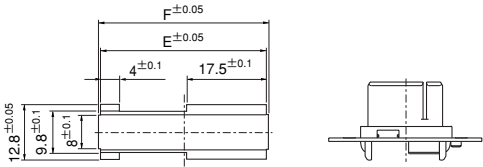
Panel thickness: 0.8 to 2.0 mm



Receptacle

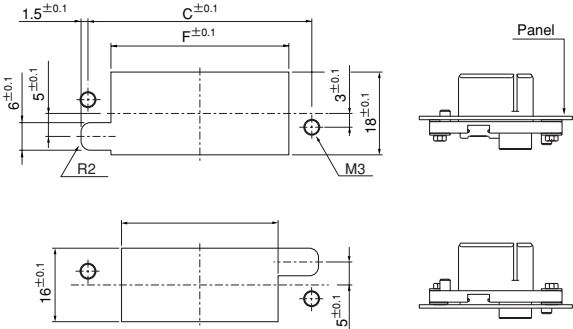
Panel lock type

Panel thickness: 1.2 mm, 1.6 mm, 2.0 mm



Floating bushing type

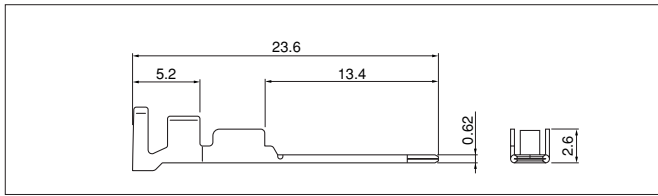
Panel thickness: 0.8 to 2.0 mm



Note: 1. Punch holes in the panel according to the figures shown above. Burrs must be removed.
 2. The strength of the panel must be considered when punching two or more holes.
 3. The connector must be inserted from the same side as the hole is punched.

RWZ CONNECTOR

Plug contact for power supply circuit



Model No.	Applicable wire		Insulation O.D. (mm)	Q'ty/reel
	mm ²	AWG #		
SRWM-01GG-S0.6	0.2~0.5	24~20	1.4~1.9	4,000
SRWM-21GG-S0.6	0.3~0.75	22~18	1.55~3.1	3,000
SRWM-61GG-S0.6	0.75~2.0	18~14	2.0~3.6	3,000

Material and Finish

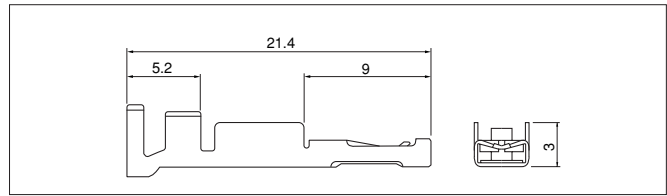
Copper alloy, nickel-undercoated, Contacting part; gold-plated
Crimping part; tin-plated (reflow treatment)

RoHS compliance This product displays (LF)(SN) on a label.

Contact	Crimping machine	Applicator		
		Crimp applicator	Dies	Crimp applicator with dies
SRWM-01GG-S0.6	AP-K2N	MKS-L	MK/SRPF/M-01-06	APLMK SRPF/M01-06
		—	—	—
SRWM-21GG-S0.6		MKS-L	MK/SRPF/M-21-06	APLMK SRPF/M21-06
		—	—	—
SRWM-61GG-S0.6		MKS-L	MK/SRPF/M-61-06	APLMK SRPF/M61-06
		—	—	—

Note: Contact JST for fully automatic crimping applicator.

Receptacle contact for power supply circuit



Model No.	Applicable wire		Insulation O.D. (mm)	Q'ty/reel
	mm ²	AWG #		
SRWF-01GG-M0.6	0.2~0.5	24~20	1.4~1.9	4,000
SRWF-21GG-M0.6	0.3~0.75	22~18	1.55~3.1	3,000
SRWF-61GG-M0.6	0.75~2.0	18~14	2.0~3.6	3,000

Material and Finish

Copper alloy, nickel-undercoated, Contacting part; gold-plated
Crimping part; tin-plated (reflow treatment)

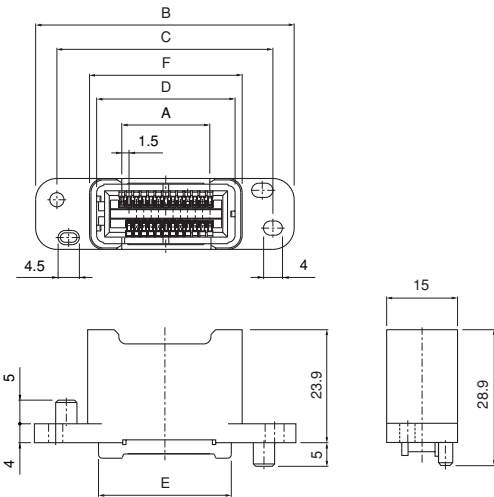
RoHS compliance This product displays (LF)(SN) on a label.

Contact	Crimping machine	Applicator		
		Crimp applicator	Dies	Crimp applicator with dies
SRWF-01GG-M0.6	AP-K2N	MKS-L	MK/SRPF/M-01-06	APLMK SRPF/M01-06
		—	—	—
SRWF-21GG-M0.6		MKS-L	MK/SRPF/M-21-06	APLMK SRPF/M21-06
		—	—	—
SRWF-61GG-M0.6		MKS-L	MK/SRPF/M-61-06	APLMK SRPF/M61-06
		—	—	—

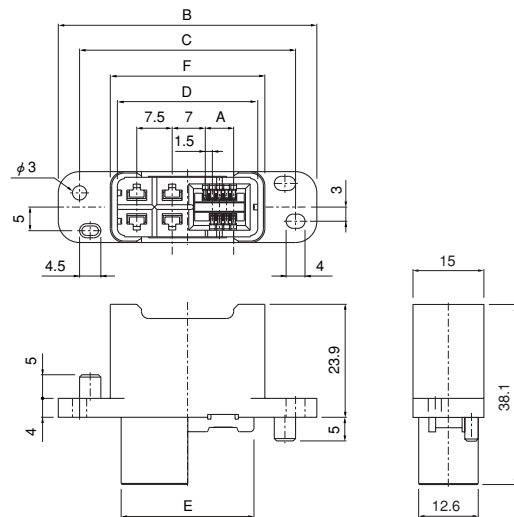
Note: Contact JST for fully automatic crimping applicator.

Plug

Standard/Signal circuit type



Standard/ Hybrid type (Connector with integrated signal and power)



No. of circuits	Model No.	Dimensions (mm)								Q'ty/box
		A	B	C	D	E	F	G	H	
25	25P-RWZV-K4GG	18.0	53.2	44.2	28.2	26.6	31.2	32.2	27.6	240
31	31P-RWZV-K4GG	22.5	57.7	48.7	32.7	31.1	35.7	36.7	32.1	216
33	33P-RWZV-K4GG	24.0	59.2	50.2	34.2	32.6	37.2	38.2	33.6	192

Material and Finish

Contact: Copper alloy, nickel-undercoated, selective gold-plated, tin-plated (reflow treatment)
Housing: PBT, UL94V-0, black

RoHS compliance This product displays (LF)(SN) on a label.

No. of circuits	Model No.	Dimensions (mm)								Q'ty/box	
		A	B	C	D	E	F	G	H		
2	39P-RWZV-K4GG-P2	28.5	69.7	60.7	44.7	43.1	47.7	48.7	44.1	168	
4	9	09P-RWZV-K4GG-P4	6.0	54.7	45.7	29.7	28.1	32.7	33.7	29.1	216
	13	13P-RWZV-K4GG-P4	9.0	57.7	48.7	32.7	31.1	35.7	36.7	32.1	216
6	21	21P-RWZV-K4GG-P4	15.0	63.7	54.7	38.7	37.1	41.7	42.7	38.1	192
	19	19P-RWZV-K4GG-P6	13.5	69.7	60.7	44.7	43.1	47.7	48.7	44.1	168
	23	23P-RWZV-K4GG-P6	16.5	72.7	63.7	47.7	46.1	50.7	51.7	47.1	144

Material and Finish

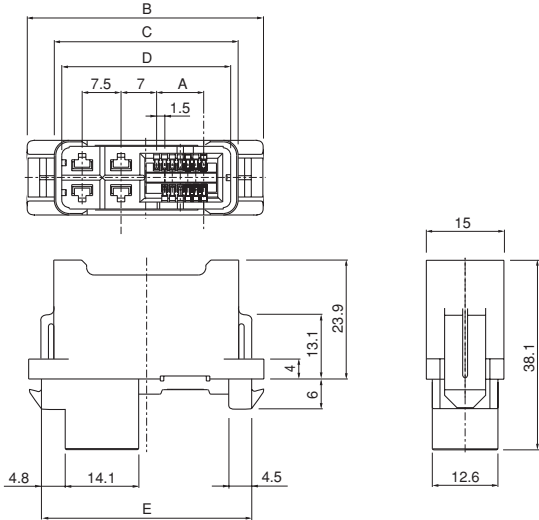
Signal contact: Copper alloy, nickel-undercoated, selective gold-plated, tin-plated (reflow treatment)
Housing: PBT, UL94V-0, black

RoHS compliance This product displays (LF)(SN) on a label.

RWZ CONNECTOR

Plug

Panel lock/ Hybrid type (Connector with integrated signal and power)



No. of circuits		Model No.	Dimensions (mm)						Q'ty/ box
Power supply	Signal		A	B	C	D	E	F	
4	13	13P-RWZV-K4GG-P4FL	9.0	45.5	35.7	32.7	40.7	41.5	216

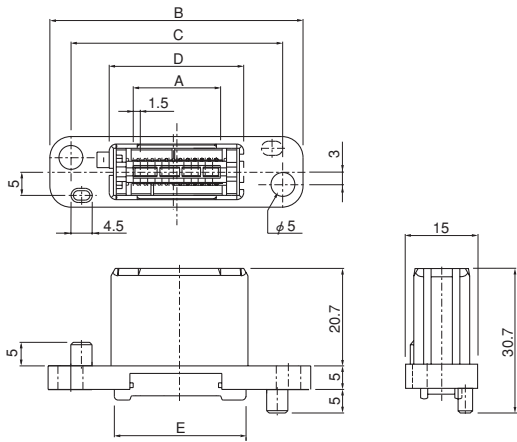
Material and Finish

Signal contact: Copper alloy, nickel-undercoated, selective gold-plated, tin-plated (reflow treatment)
Housing: PBT, UL94V-0, black

RoHS compliance This product displays (LF)(SN) on a label.

Receptacle

Standard/Signal circuit type



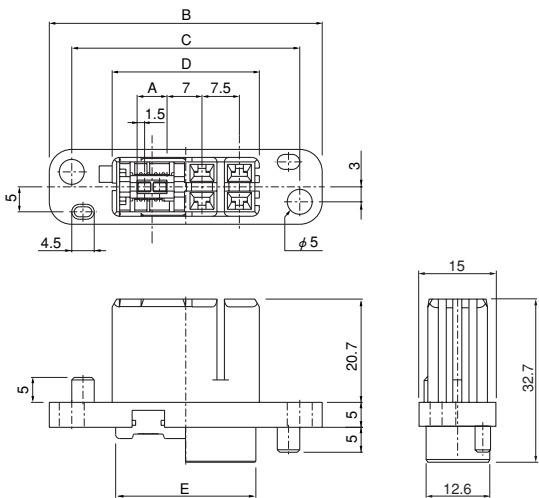
No. of circuits		Model No.	Dimensions (mm)							Q'ty/ box
Power supply	Signal		A	B	C	D	E	F	G	
25	-	25R-RWZV-K2GG	18.0	53.2	44.2	28.0	26.6	34.2	29.6	240
-	31	31R-RWZV-K2GG	22.5	57.7	48.7	32.5	31.1	38.7	34.1	216
-	33	33R-RWZV-K2GG	24.0	59.2	50.2	34.0	32.6	40.2	35.6	240

Material and Finish

Contact: Copper alloy, nickel-undercoated, selective gold-plated, tin-plated (reflow treatment)
Housing: PBT, UL94V-0, black

RoHS compliance This product displays (LF)(SN) on a label.

Standard/ Hybrid type (Connector with integrated signal and power)



No. of circuits		Model No.	Dimensions (mm)							Q'ty/ box
Power supply	Signal		A	B	C	D	E	F	G	
2	39	39R-RWZV-K2GG-P2	28.5	69.7	60.7	44.5	43.1	50.7	46.1	168
9	-	09R-RWZV-K2GG-P4	6.0	54.7	45.7	29.5	28.1	35.7	31.1	216
4	13	13R-RWZV-K2GG-P4	9.0	57.7	48.7	32.5	31.1	38.7	34.1	216
21	-	21R-RWZV-K2GG-P4	15.0	63.7	54.7	38.5	37.1	44.7	40.1	192
6	19	19R-RWZV-K2GG-P6	13.5	69.7	60.7	44.5	43.1	50.7	46.1	168
-	23	23R-RWZV-K2GG-P6	16.5	72.7	63.7	47.5	46.1	53.7	49.1	144

Material and Finish

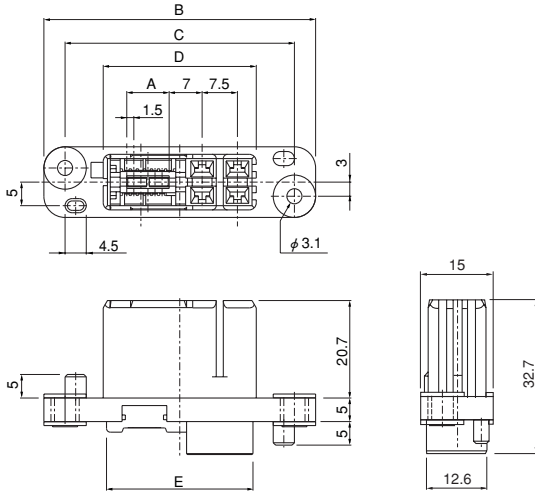
Signal contact: Copper alloy, nickel-undercoated, selective gold-plated, tin-plated (reflow treatment)
Housing: PBT, UL94V-0, black

RoHS compliance This product displays (LF)(SN) on a label.

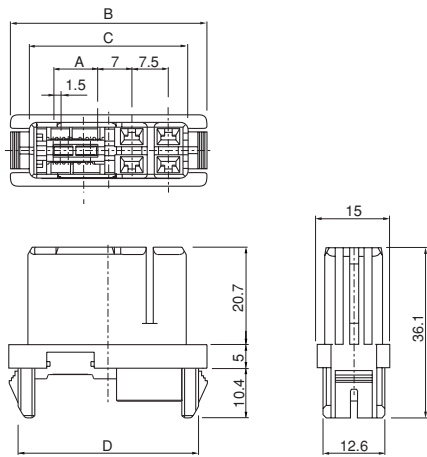
RWZ CONNECTOR

Receptacle

Floating bushing/ Hybrid type (Connector with integrated signal and power)



Panel lock/ Hybrid type (Connector with integrated signal and power)



No. of circuits	Power supply	Signal	Model No.	Dimensions (mm)							Q'ty/box
				A	B	C	D	E	F	G	
2	39		39R-RWZV-K2GG-P2BM	28.5	69.7	60.7	44.5	43.1	50.7	46.1	168
4	9		09R-RWZV-K2GG-P4BM	6.0	54.7	45.7	29.7	28.1	35.7	31.1	216
	21		21R-RWZV-K2GG-P4BM	15.0	63.7	54.7	38.5	37.1	44.7	40.1	192

Material and Finish

Signal contact: Copper alloy, nickel-undercoated, selective gold-plated, tin-plated (reflow treatment)
Housing: PBT, UL94V-0, black
Washer: Copper alloy, nickel-plated
Floating rivet: Copper alloy, nickel-plated

RoHS compliance This product displays (LF)(SN) B on a label.

No. of circuits	Power supply	Signal	Model No.	Dimensions (mm)							Q'ty/box	
				A	B	C	D	E	F			
4	13		13R-RWZV-K2GG-P4RL	9.0	40.3	32.5	36.5	36.7	37.2	t=1.2	t=1.6,2.0	264

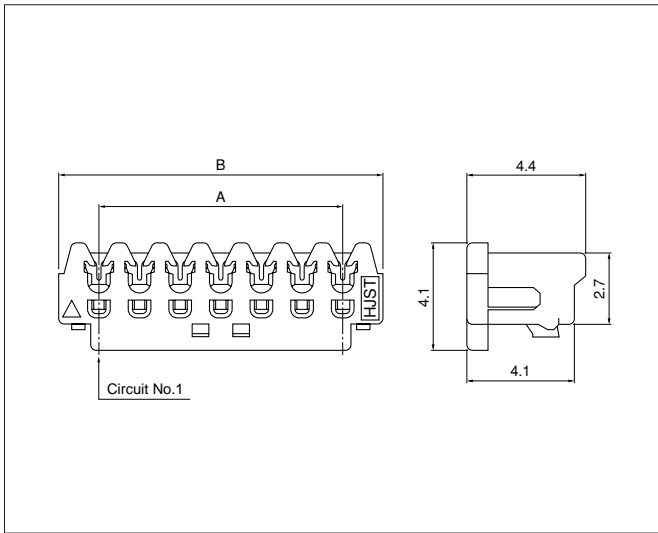
Material and Finish

Signal contact: Copper alloy, nickel-undercoated, selective gold-plated, tin-plated (reflow treatment)
Housing: PBT, UL94V-0, black

RoHS compliance This product displays (LF)(SN) on a label.

RWZ CONNECTOR

CZ connector socket



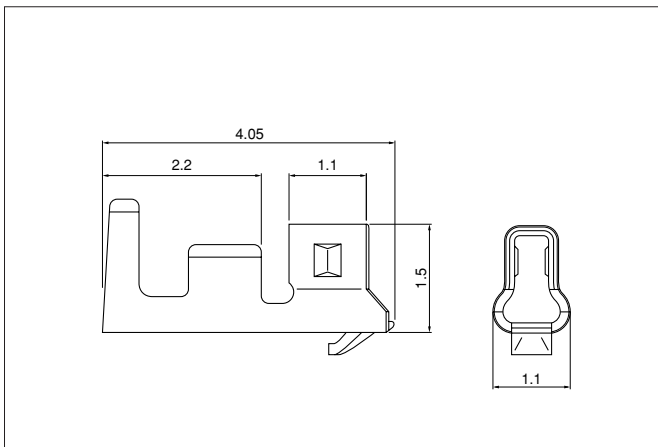
No. of circuits	Model No.		Dimensions (mm)		Q'ty/box
	Gray	Yellow	A	B	
4	04CZ-6H	04CZ-6Y	4.5	7.5	2,000
5	05CZ-6H	05CZ-6Y	6.0	9.0	2,000
6	06CZ-6H	06CZ-6Y	7.5	10.5	2,000
7	07CZ-6H	07CZ-6Y	9.0	12.0	2,000
9	09CZ-6H	09CZ-6Y	12.0	15.0	1,000
10	10CZ-6H	10CZ-6Y	13.5	16.5	1,000
11	11CZ-6H	11CZ-6Y	15.0	18.0	1,000
12	12CZ-6H	12CZ-6Y	16.5	19.5	1,000
13	13CZ-6H	13CZ-6Y	18.0	21.0	1,000
15	15CZ-6H	15CZ-6Y	21.0	24.0	1,000
16	16CZ-6H	16CZ-6Y	22.5	25.5	1,000
17	17CZ-6H	17CZ-6Y	24.0	27.0	1,000
19	19CZ-6H	19CZ-6Y	27.0	30.0	1,000
20	20CZ-6H	20CZ-6Y	28.5	31.5	1,000

Material and Finish

Contact: Copper alloy, tin-plated (reflow treatment)
Housing: Glass-filled PA 66, UL94V-0

RoHS compliance

CZH connector contact



Model No.	Applicable wire		Insulation O.D. (mm)	Q'ty/reel
	mm ²	AWG #		
SCZH-002T-P0.5	0.08~0.13	28~26	0.8~1.1	13,000

Material and Finish

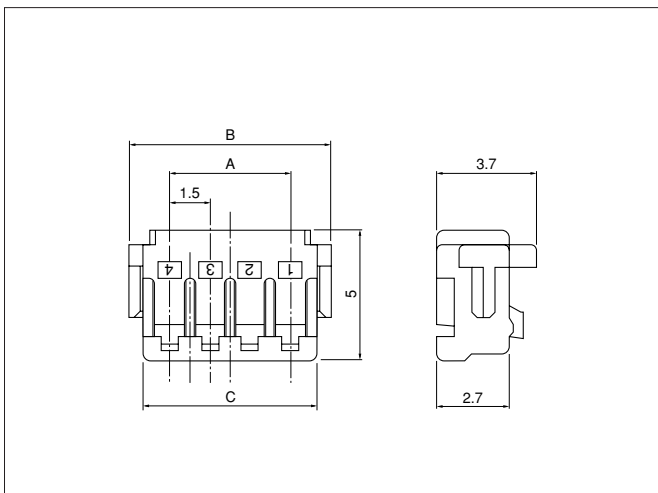
Copper alloy, tin-plated (reflow treatment)

RoHS compliance

Contact	Crimping machine	Applicator		
		Crimp applicator	Dies	Crimp applicator with dies
SCZH-002T-P0.5	AP-K2N	MKS-L	MK/SCZH-002-05	APLMK SCZH002-05
		—	—	—

Note: Contact JST for fully automatic crimping applicator.

CZH connector housing



No. of circuits	Model No.	Dimensions (mm)			Q'ty/box
		A	B	C	
4	CZHR-04V-S	4.5	7.5	6.5	1,000
5	CZHR-05V-S	6.0	9.0	8.0	1,000
6	CZHR-06V-S	7.5	10.5	9.5	1,000
7	CZHR-07V-S	9.0	12.0	11.0	1,000
9	CZHR-09V-S	12.0	15.0	14.0	1,000
10	CZHR-10V-S	13.5	16.5	15.5	1,000
11	CZHR-11V-S	15.0	18.0	17.0	1,000
12	CZHR-12V-S	16.5	19.5	18.5	1,000
13	CZHR-13V-S	18.0	21.0	20.0	1,000
15	CZHR-15V-S	21.0	24.0	23.0	1,000
16	CZHR-16V-S	22.5	25.5	24.5	1,000
17	CZHR-17V-S	24.0	27.0	26.0	1,000
19	CZHR-19V-S	27.0	30.0	29.0	1,000
20	CZHR-20V-S	28.5	31.5	30.5	1,000

Material

PBT, UL94V-0, natural (white)

RoHS compliance