

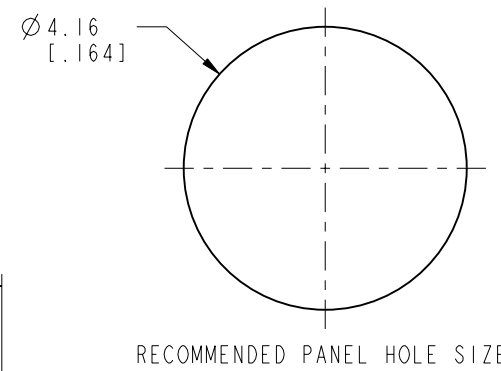
NOTES:

1. MATERIALS AND FINISHES:
 BODY - BERYLLIUM COPPER, GOLD PLATING
 CONTACT - BERYLLIUM COPPER, GOLD PLATING
 SPRING RING - BERYLLIUM COPPER, NICKEL PLATING
 FERRULE - COPPER, NICKEL PLATING
 INSULATOR - PTFE, NATURAL
2. ELECTRICAL:
 A. IMPEDANCE: 50 OHM
 B. FREQUENCY RANGE: DC - 6 GHz
 C. VSWR(RETURN LOSS): 1.14 (-24 dB) @ DC - 2 GHz
 1.22 (-20 dB) @ 2 - 4 GHz
 1.38 (-16 dB) @ 4 - 6 GHz
 D. DIELECTRIC WITHSTANDING VOLTAGE: 1000 VRMS, MIN.
 E. POWER HANDLING: 40 W MAX. @ 2.6 GHz AT 85°C
3. MECHANICAL:
 A. DURABILITY: 200 CYCLES MIN. FOR SMOOTH BORE
 50 CYCLES MIN FOR LIMITED DETENT
 B. TEMPERATURE RANGE: -55°C TO +125°C
4. PACKAGING:
 A. QUANTITY: SINGLE PACK
 B. MARKING: PACKAGING TO BE MARKED
 "AMPHENOL RF, 920-510P-51S & DATE CODE"
5. CRIMPED FERRULE
 HEX CRIMP SIZE .128"
6. SOLDER CONTACT TO CABLE CENTER CONDUCTOR

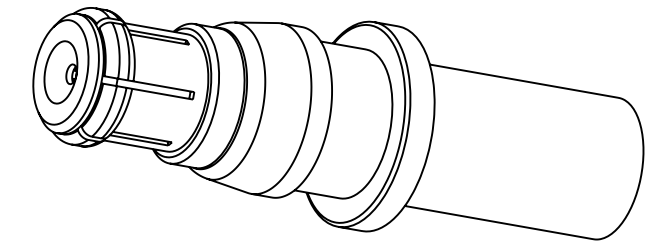
THIRD ANGLE PROJ.

REVISIONS

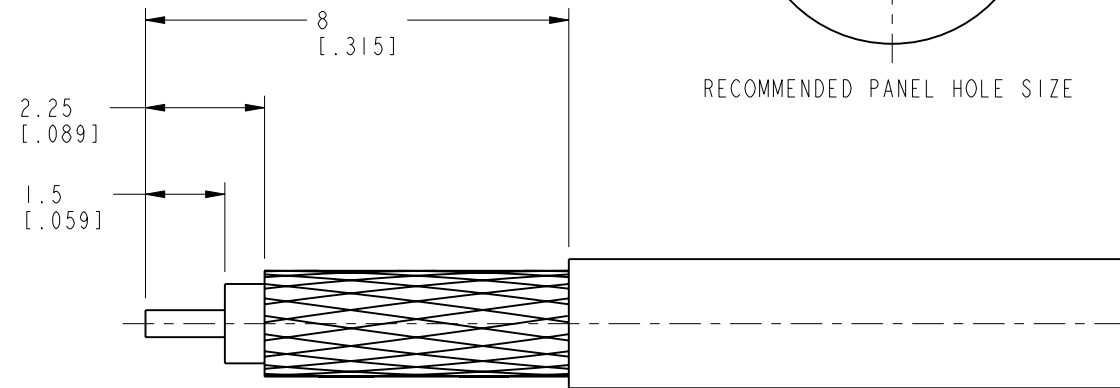
REV	DESCRIPTION	DATE	ECN	APPR
A	RELEASE TO MFG.	25-Apr-19	11305	EH



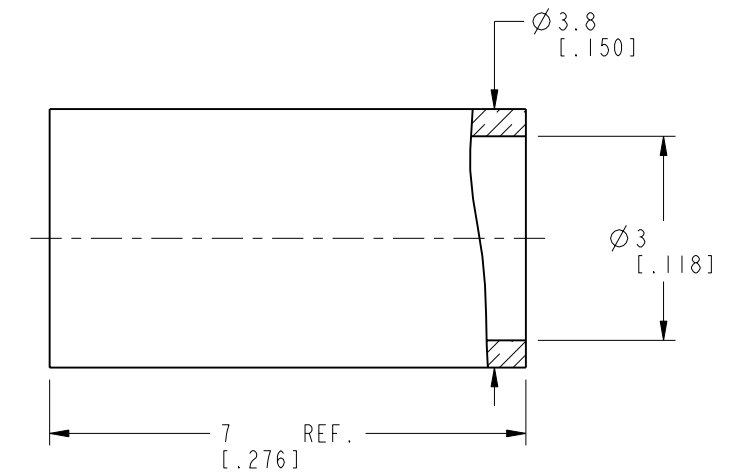
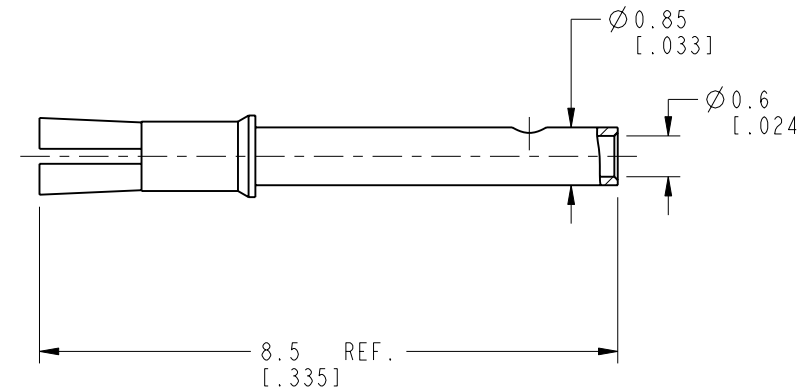
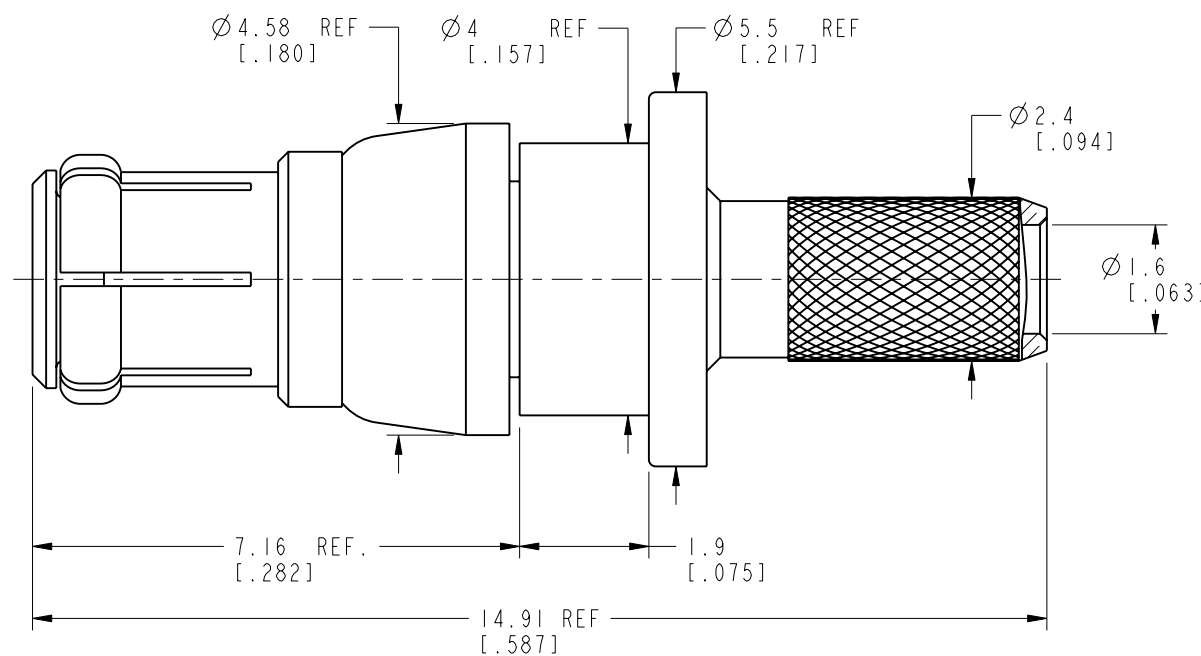
RECOMMENDED PANEL HOLE SIZE



SCALE 5.000



RECOMMENDED CABLE STRIPPING DIMENSIONS



CUSTOMER OUTLINE DRAWING

ALL OTHER SHEETS ARE FOR INTERNAL USE ONLY

UNLESS OTHERWISE SPECIFIED, DIMENSIONS ARE IN METRIC AND TOLERANCES ARE: <0.5mm ±0.05mm 0.5 - 6mm ±0.1mm 6 - 30mm ±0.2mm 30 - 120mm ±0.3mm ANGLES ±1°	MATERIAL	DRAWN	DATE	TITLE		Amphenol RF www.amphenolrf.com
	NOTE 1	M. ZHANG	25-Apr-19	HD-EFI PLUG FOR RG-316 CABLE		
NOTICE - These drawings, specifications, or other data (1) are, and remain the property of Amphenol corp. (2) must be returned upon request; and (3) are confidential and not to be disclosed to any person other than those to whom they are given by Amphenol Corp. the furnishing of these drawings, specifications, or other data by Amphenol Corp., or to any other person to anyone for any purpose is not to be regarded by implication or otherwise in any manner licensing, granting rights to permitting such holder or any other person to manufacture, use or sell any product, process or design, patented or otherwise, that may in any way be related to or disclosed by said drawings, specifications, or other data.	REFERENCE	E. HILL	DATE	SCALE: 9.0:1.0 SHEET 2 OF 2		DRAWING NO. 920-510P-51S
	EAR# 8405	S. HSIEH	27-Dec-18	DWG SIZE B		ITEM NO. 920-510P-51S
	REF: ---	APPROVED	DATE	REV A		PART NO. 920-510P-51S
CONFIGURATION LEVEL: In Work	CAD FILE	S. HSIEH	28-Apr-19			
FINISH						