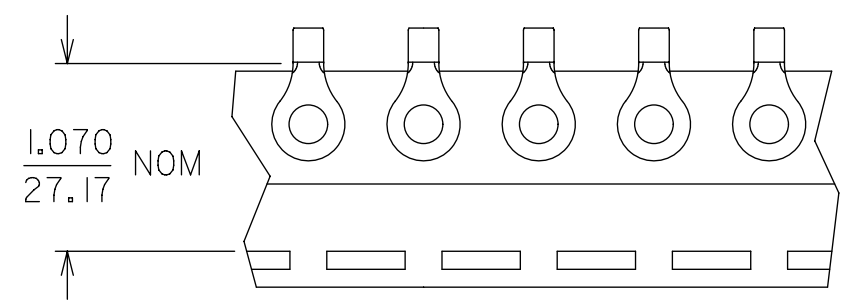
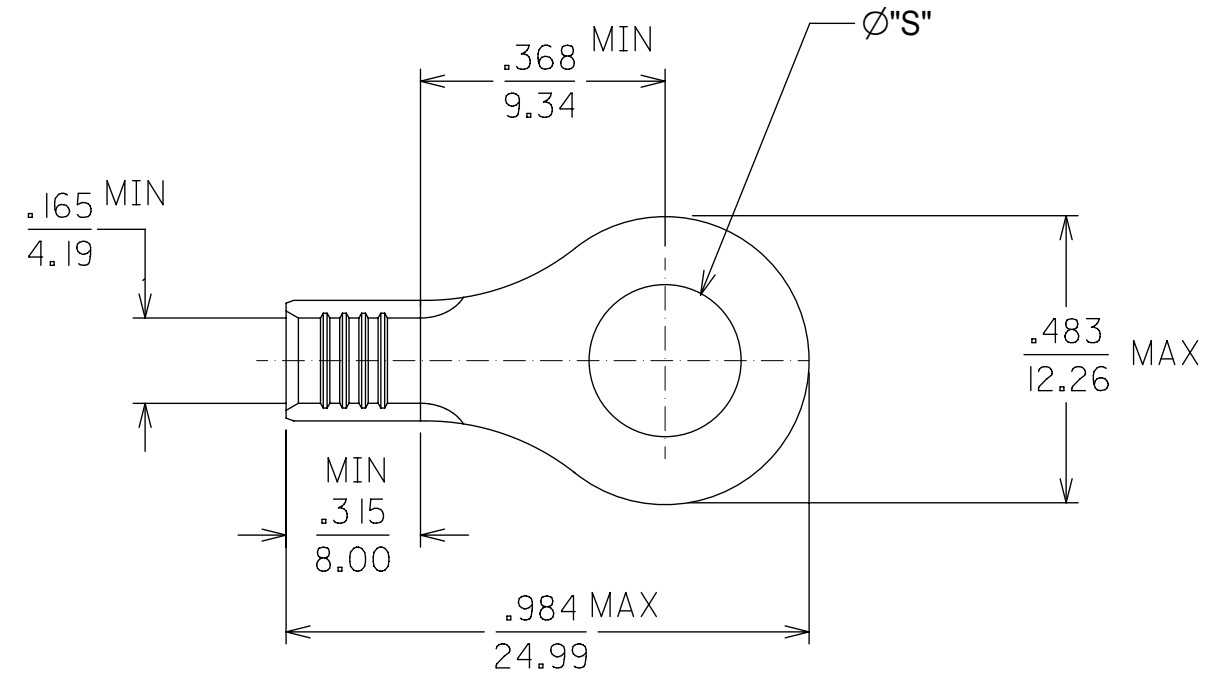
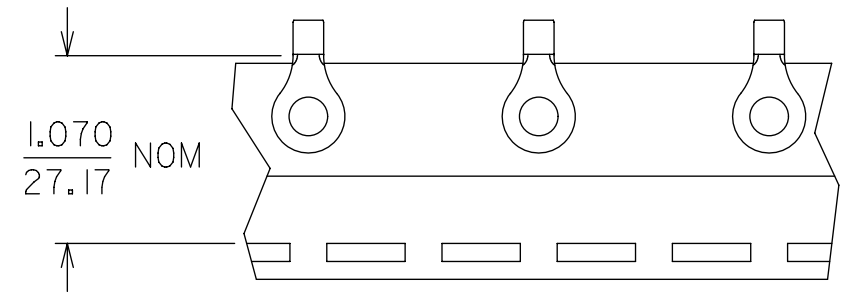


MATERIAL NUMBER	ENGG NUMBER	Ø"S"	PACKAGING
191930143	D-350-06	.146	LOOSE PIECE
191930146	D-350-08	.173	
191930149	D-350-10	.198	
191930152	D-350-14	.265	
191930157	D-350-56	.328	
191930148	D-350-08T	.173	TAPE PARTS
191930151	D-350-10T	.198	
191930155	D-350-14T	.265	
191930158	D-350-56T	.328	
191930156	D-350-14TD	.265	DBL SPCD TAPE PART



(B2) SINGLE SPACED PARTS ON TAPE



DOUBLE SPACED PARTS ON TAPE

- MATERIAL: TERMINAL: COPPER
.045/1.14 THICK REF.
PLATING : ELECTRO TIN
- ALL DIMENSIONS = INCHES / MM
- PART IS ROHS COMPLIANT.

THIS DRAWING CONTAINS INFORMATION THAT IS PROPRIETARY TO MOLEX ELECTRONIC TECHNOLOGIES, LLC AND SHOULD NOT BE USED WITHOUT WRITTEN PERMISSION														
DIMENSION UNITS IN/MM		SCALE 4:1		CURRENT REV DESC: ADD SINGLE SPACE						molex				
GENERAL TOLERANCES (UNLESS SPECIFIED)				EC NO: 623662		DRWN: PKH 2019/08/27		RING TONGUE TERMINAL, 8 AWG						
4 PLACES ±		±		CHK'D: JMACNEIL 2019/09/06		APPR: JMACNEIL 2019/09/06		PRODUCT CUSTOMER DRAWING						
3 PLACES ±		± 0.005		INITIAL REVISION:		DRWN: EDB 2001/01/23		DOCUMENT NUMBER		DOC TYPE	DOC PART	REVISION		
2 PLACES ±		± 0.13 ± 0.01		APPR: HEB 2001/01/23		SD-19193-016		PSD		001	B2			
1 PLACE ±		± 0.25 ±		DRAFT WHERE APPLICABLE MUST REMAIN WITHIN DIMENSIONS		THIRD ANGLE PROJECTION		DRAWING		SERIES		MATERIAL NUMBER	CUSTOMER	SHEET NUMBER
0 PLACES ±		±		B-SIZE		19193		SEE CHART		GENERAL MARKET		1 OF 1		
ANGULAR TOL ± 0.5°														