

- NOTES:
- MATERIALS AND FINISHES:
 - BODY & REAR BODY - BRASS, WHITE BRONZE PLATING
 - CONTACT - BeCu & BRASS, SILVER PLATING
 - INSULATOR - PTFE, NATURAL
 - GASKET - SILICONE RUBBER, RED
 - LOCK WASHER - BRASS, WHITE BRONZE PLATING
 - HEX NUT - BRASS, WHITE BRONZE PLATING
 - FERRULE - COPPER, WHITE BRONZE PLATING

- ELECTRICAL:
 - A. IMPEDANCE: 50 OHM
 - B. FREQUENCY RANGE: DC - 3 GHz
 - C. RETURN LOSS: -30dB MIN @ DC-3 GHz
 - D. DIELECTRIC WITHSTANDING VOLTAGE: 1000 VRMS, MIN.

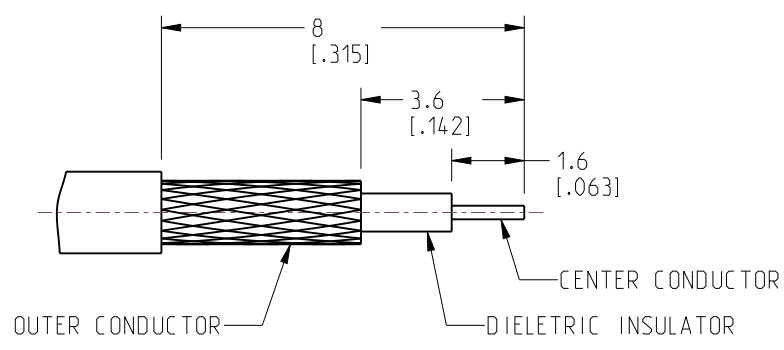
- MECHANICAL:
 - A. DURABILITY: 500 CYCLES, MIN.
 - B. TEMPERATURE RANGE: -65° C TO +165° C
 - C. RECOMMENDED PANEL TORQUE: 30 IN-LBS

4 INDICATES CABLE ENTRY DIMENSIONS

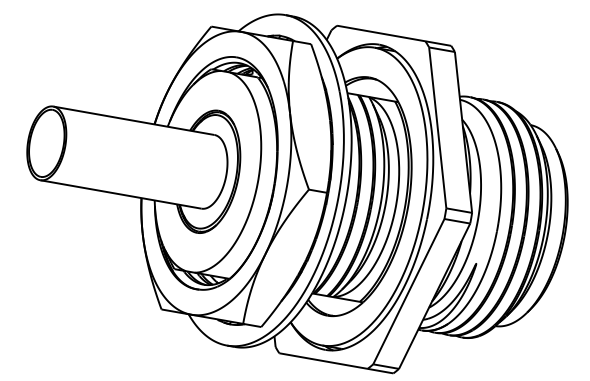
- ASSEMBLY INSTRUCTIONS:
 - A. STRIP CABLE AND INSERT THROUGH SHRINK TUBE AND FERRULE.
 - B. INSERT CENTER CONDUCTOR INTO BULLET CONTACT AND SOLDER.
 - C. INSERT CABLE AND BULLET CONTACT INTO BODY ASSEMBLY UNTIL CABLE BOTTOMS. SPREAD BRAID ON OUTSIDE OF BODY KNURL.
 - D. CRIMP FERRULE WITH HEX CRIMP SIZE .128"

- PACKAGING:
 - A. QUANTITY: SINGLE PACK
 - B. MARKING: BAG TO BE MARKED "AMPHENOL, 82-6786, AND DATE CODE"
 - C. HST, FERRULE, BULLET CONTACT, HEX NUT, LOCK WASHER AND GASKET ARE PACKAGED LOOSE.

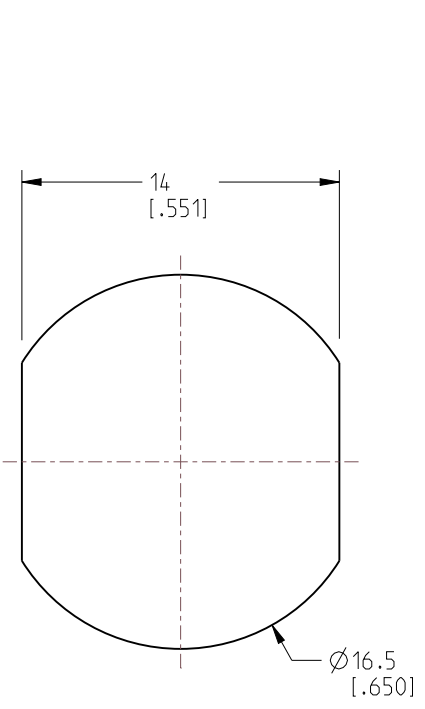
REVISIONS				
REV	DESCRIPTION	DATE	ECN	BY
A	RELEASE TO MFG.	11-JUN-22	16281	SH



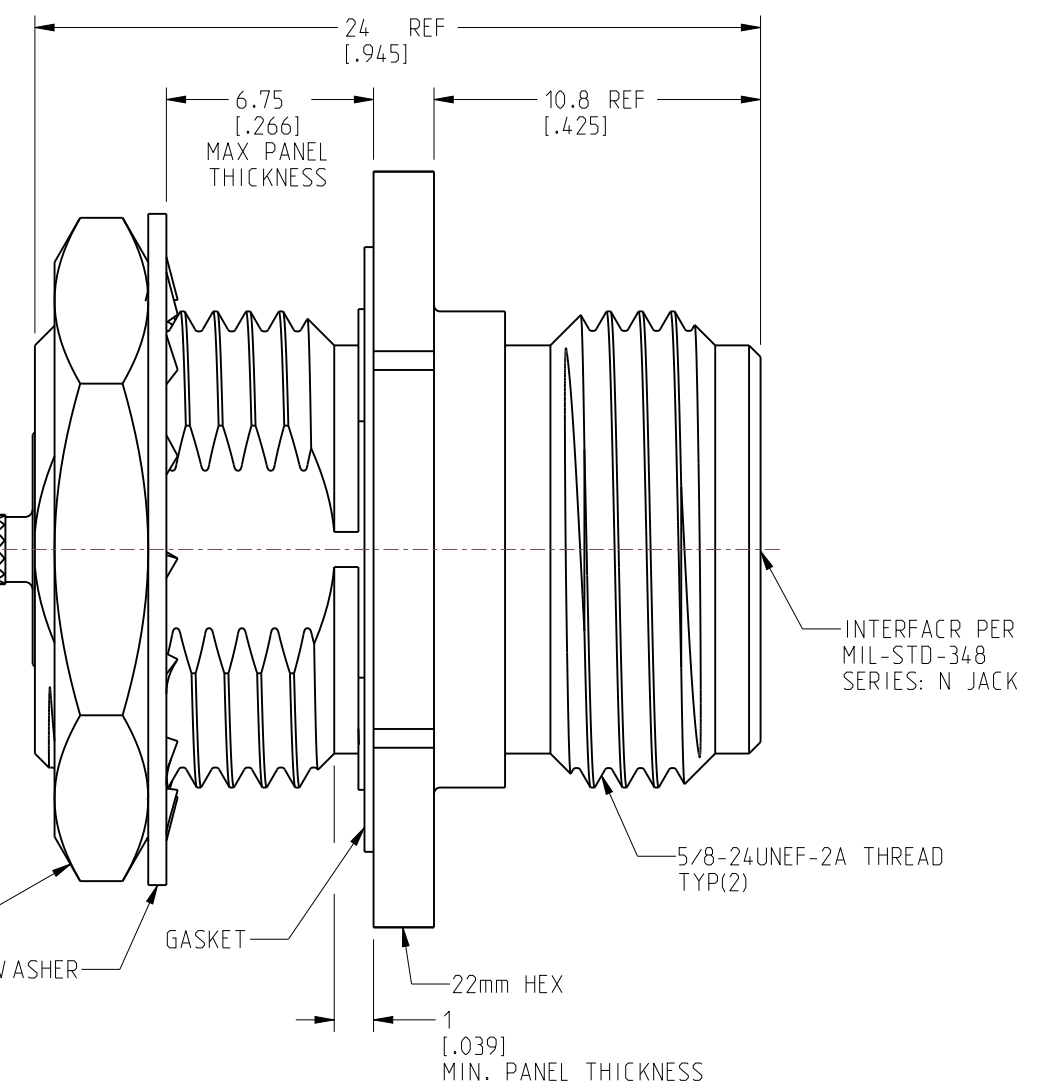
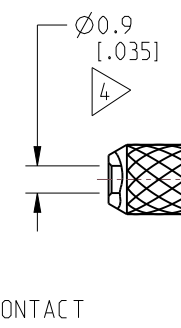
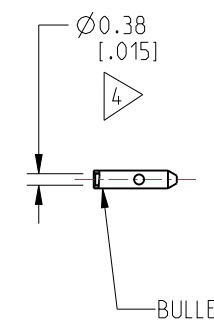
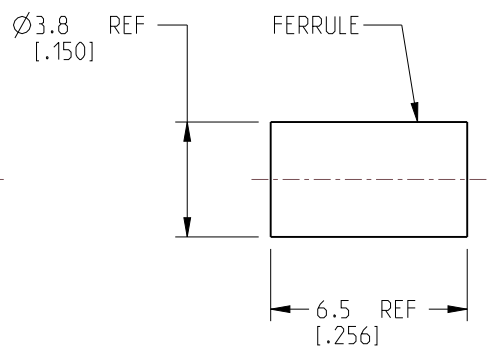
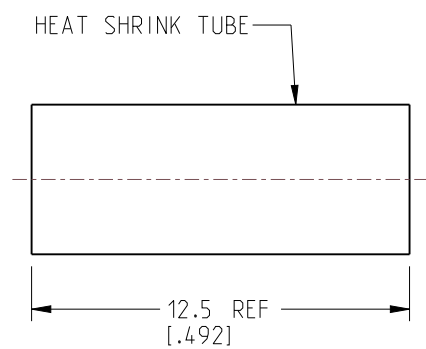
RECOMMENDED CABLE STRIPPING DIMENSIONS



SCALE 2.000



RECOMMENDED MOUNTING HOLE



CUSTOMER OUTLINE DRAWING

ALL OTHER SHEETS ARE FOR INTERNAL USE ONLY

NOTICE: These drawings, specifications, or other data (1) are, and remain the property of Amphenol corp. (2) must be returned upon request; and (3) are confidential and not to be disclosed to any person other than those to whom they are given by Amphenol Corp. The furnishing of these drawings, specifications, or other data by Amphenol Corp., or to any other person to anyone for any purpose is not to be regarded by implication or otherwise in any manner licensing, granting rights to permitting such holder or any other person to manufacture, use or sell any product, process or design, patented or otherwise, that may in any way be related to or disclosed by said drawings, specifications, or other data.

THIRD ANGLE PROJ. REFERENCE 82-6684 EAR# 10108

UNLESS OTHERWISE SPECIFIED DIMENSIONS ARE METRIC (INCHES) AND TOLERANCES ARE:	
<0.5mm = ±0.05mm	[<0.020 = ±0.002]
0.5 - 6mm = ±0.1mm	[>0.020 - 0.236 = ±0.004]
>6.00 - 30mm = ±0.2mm	[>0.236 - 1.181 = ±0.008]
>30.00 - 120mm = ±0.3mm	[>1.181 - 4.725 = ±0.012]
ANGLES = ±1°	

MATERIAL		DATE	
ENGR.1 T.LIPKIN	ENGR.2 JACK LIANG	01-OCT-21	

TITLE	
3 GHz TYPE N FRT BHD JACK IP67 FOR RG-178 CABLE	
SHEET NO. 2 OF 2	SCALE: 4.0:1.0

Amphenol RF		
SIZE B	DRAWING NO. 82-6786	REV A
	ITEM NO. 82-6786	
	PART NO. 82-6786	