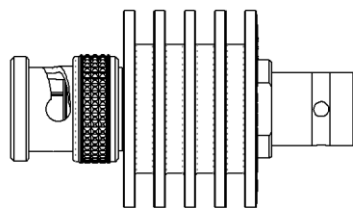
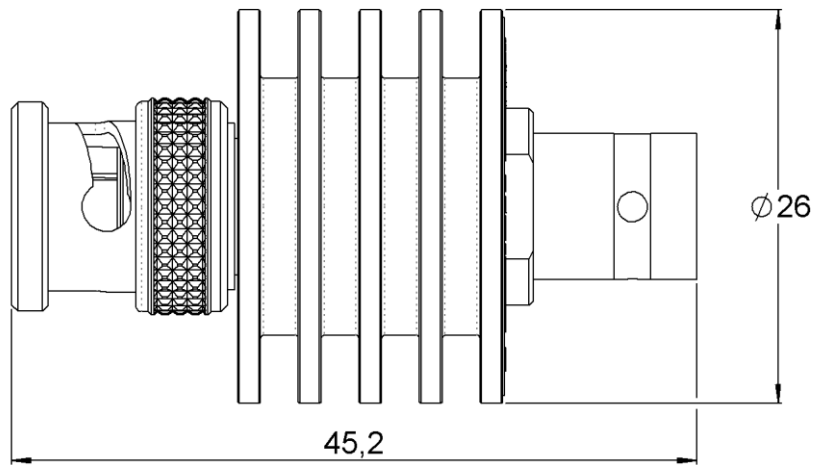
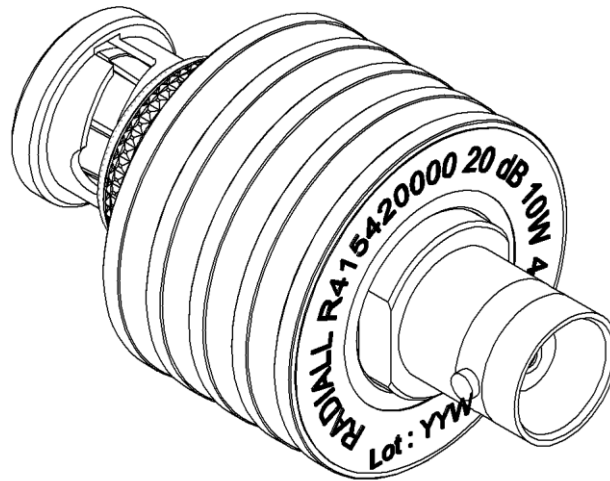


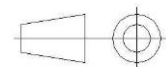
| | | | |
|----------|-----------------|----------------------|------------------------|
| PAGE 1/2 | ISSUE 13-10-16A | SERIES ATTENUATOR | PART NUMBER R415420000 |
|----------|-----------------|----------------------|------------------------|



SCALE 1:1



All dimensions are in mm.



| COMPONENTS | MATERIALS | PLATING (µm) |
|-----------------------|--------------------------|-------------------------------|
| Body | BRASS | NICKEL 5 |
| Male center contact | BRASS | GOLD 2.5 OVER NICKEL 1 |
| Female center contact | BERYLLIUM COPPER | GOLD 2.5 OVER NICKEL 1 |
| Outer contact | BRASS | - |
| Insulator | PTFE | |
| Gasket | SILICONE RUBBER | |
| Substrate | ALUMINIUM NITRIDE | |
| Resistor | THIN FILM | |
| Others parts | ALUMINIUM | BLACK ANODIZATION |

| | | | |
|----------|-----------------|-----------------------------|-------------------------------|
| PAGE 2/2 | ISSUE 13-10-16A | SERIES ATTENUATOR | PART NUMBER R415420000 |
|----------|-----------------|-----------------------------|-------------------------------|

ELECTRICAL CHARACTERISTICS

| | |
|-----------------|---------------|
| Frequency (GHz) | DC - 4 |
| V.S.W.R (≤) | 1.20 |
| Deviation(±dB) | 0.50 |

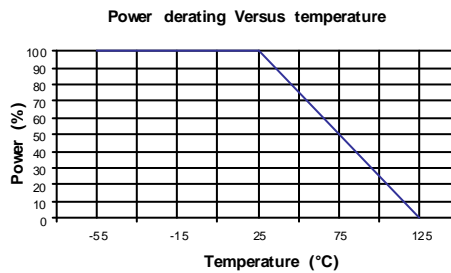
| | | |
|------------------------------|---------------|-----------------------|
| Operating Frequency Range | DC - 4 | GHz |
| Impedance | 50 | Ω |
| Nominal Attenuation | 20 | dB |
| Peak power at 25°C (1μs, 1%) | 250 | W |
| Average power at 25°C | 10 | W (Free Air Cooled) |
| | | W (Conduction Cooled) |

MECHANICAL CHARACTERISTICS

| | | | |
|------------|-----------------|--------------------|--------------------|
| Connectors | BNC | Male Female | MIL-C 39012 |
| Weight | 37,000 g | | |

ENVIRONMENTAL CHARACTERISTICS

| | |
|-----------------------------|---------------------|
| Operating temperature range | -55 /+125 °C |
| Storage temperature range | -55 /+125 °C |



SPECIFICATION

OTHER CHARACTERISTICS