

NOTES:

1. MATERIALS AND FINISHES:

BODY & CONTACT - BeCu, GOLD PLATING
INSULATOR - PTFE, NATURAL

2. ELECTRICAL:

A. IMPEDANCE: 50 OHM
B. FREQUENCY RANGE: DC - 40 GHz
C. VSWR (RETURN LOSS) : 1.07 MAX. (-30 dB MIN) @ DC - 4 GHz
1.22 MAX. (-20 dB MIN) @ 4 - 18 GHz
1.43 MAX. (-15 dB MIN) @ 18 - 26.5 GHz
1.50 MAX. (-14 dB MIN) @ 26.5 - 40 GHz
D. DIELECTRIC WITHSTANDING VOLTAGE: 500 VRMS, MIN.

3. MECHANICAL:

A. DURABILITY: 100 CYCLES MIN. WHEN MATED FULL DETENT JACK
500 CYCLES MIN. WHEN MATED LIMITED DETENT JACK
1000 CYCLES MIN. WHEN MATED A SMOOTH BORE JACK
B. TEMPERATURE RANGE: -65°C TO +165°C

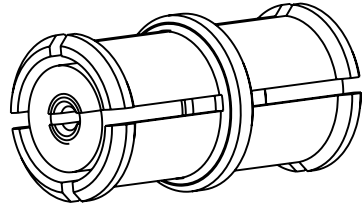
4. PACKAGING:

A. QUANTITY: SINGLE PACK
B. MARKING: BAG TO BE MARKED
"AMPHENOL RF, SMP-FS2A-645-NM & DATE CODE".

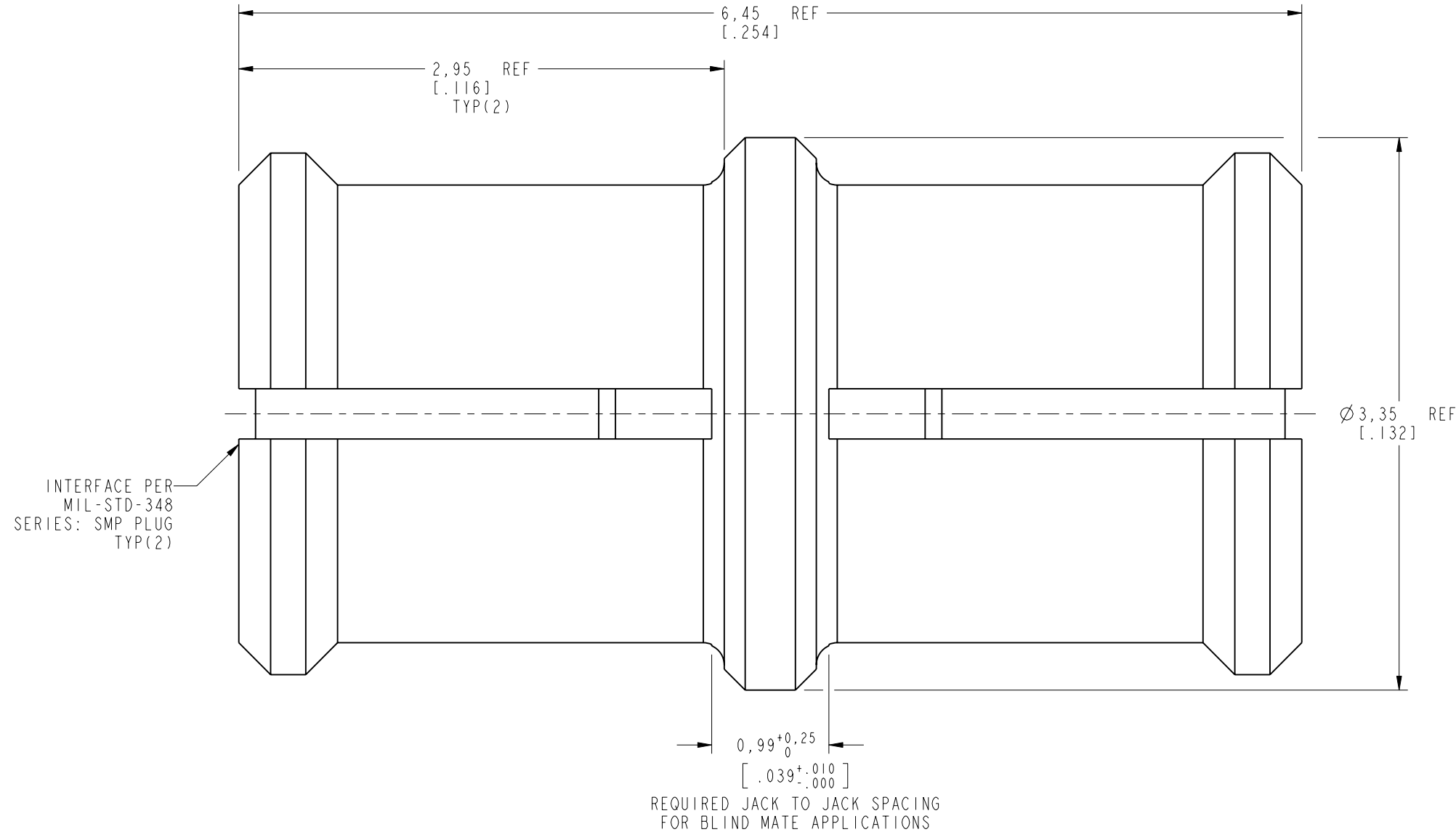
THIRD ANGLE PROJ.

REVISIONS

REV	DESCRIPTION	DATE	ECN	APPR
A	RELEASE TO MFG.	01-Nov-19	13482	SV



SCALE 7.000



CUSTOMER OUTLINE DRAWING

ALL OTHER SHEETS ARE FOR INTERNAL USE ONLY

UNLESS OTHERWISE SPECIFIED, DIMENSIONS ARE IN METRIC AND TOLERANCES ARE: <0.5mm ±0.05mm 0.5 - 6mm ±0.1mm 6 - 30mm ±0.2mm 30 - 120mm ±0.3mm ANGLES ±1°	MATERIAL SEE NOTES	DRAWN M. ZHANG	DATE 01-Nov-19	TITLE SMP STR BULLET ASSEMBLY, 6.45 MM NON-MAGNETIC	Amphenol RF www.amphenolrf.com
	REFERENCE EAR# 8889 REF: SMP-FS2A-645	ENGINEER S. VO	DATE 21-Feb-19		
NOTICE - These drawings, specifications, or other data (1) are, and remain the property of Amphenol corp. (2) must be returned upon request; and (3) are confidential and not to be disclosed to any person other than those to whom they are given by Amphenol Corp. the furnishing of these drawings, specifications, or other data by Amphenol Corp., or to any other person to anyone for any purpose is not to be regarded by implication or otherwise in any manner licensing, granting rights to permitting such holder or any other person to manufacture, use or sell any product, process or design, patented or otherwise, that may in any way be related to or disclosed by said drawings, specifications, or other data.	CONFIGURATION LEVEL: In Work	APPROVED S. HSIEH	DATE 05-Nov-19	SCALE: 30.0:1.0 SHEET 2 OF 2	DRAWING NO. SMP-FS2A-645-NM
	FINISH	CAD FILE	DWG SIZE B	REV A	ITEM NO. SMP-FS2A-645-NM