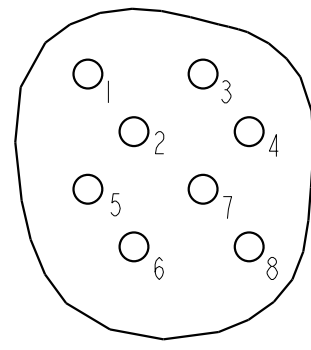
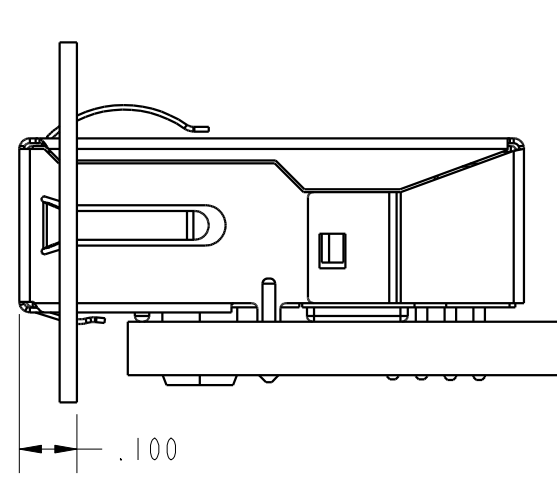
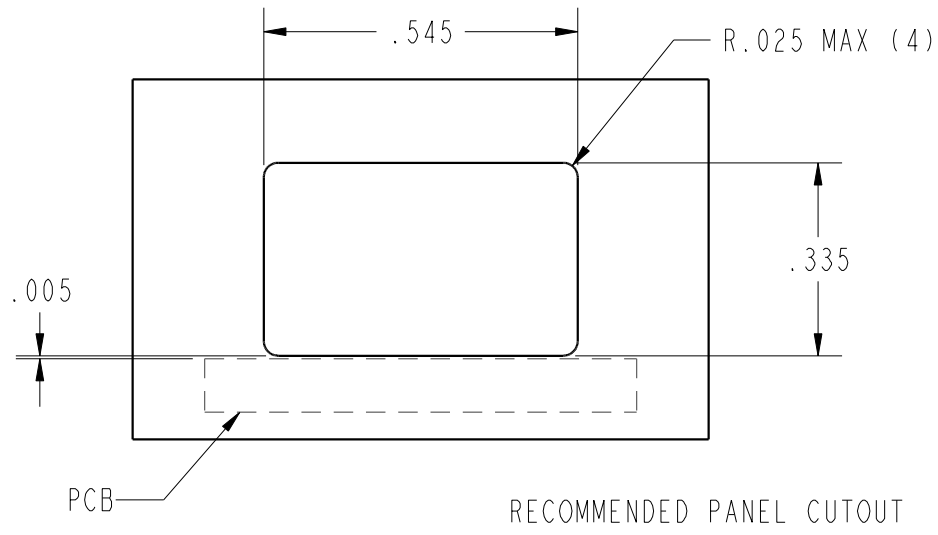
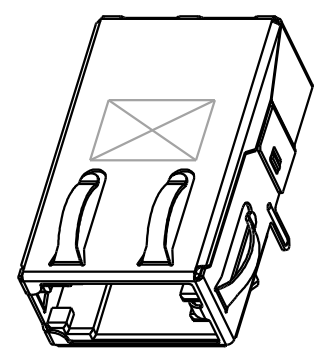


DATE	REV.	ECN	APP'D BY
2-23-15	A1	10263	ADB
3-30-16	A2	10654	TRM



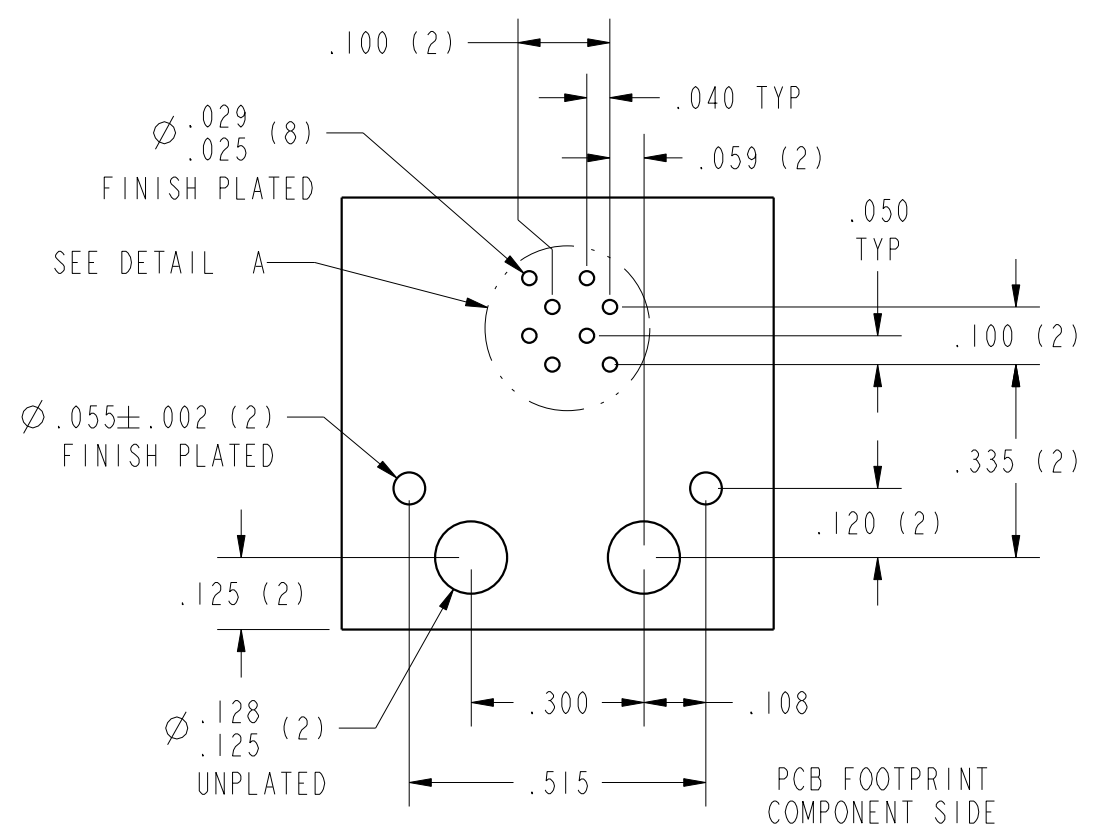
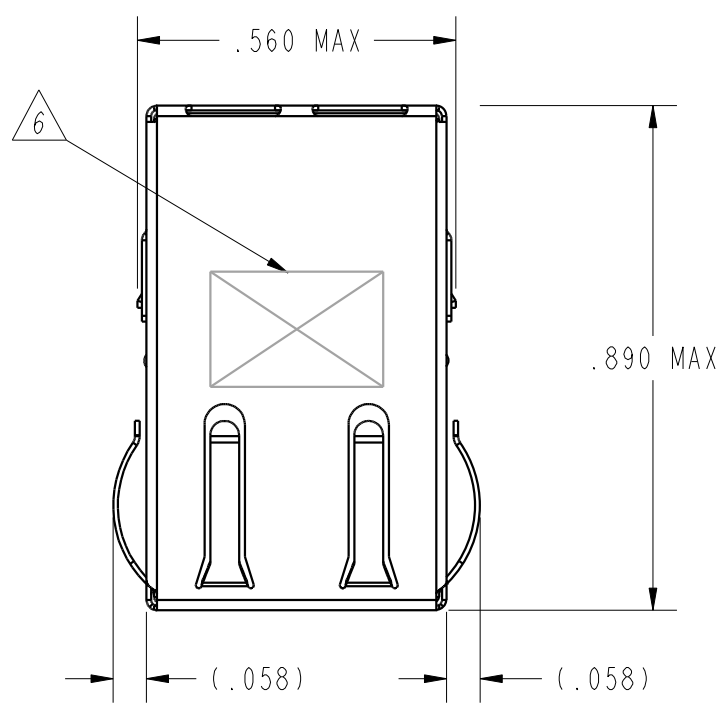
PINOUT NUMBERING
DETAIL A
SCALE 6.000



NOTES:

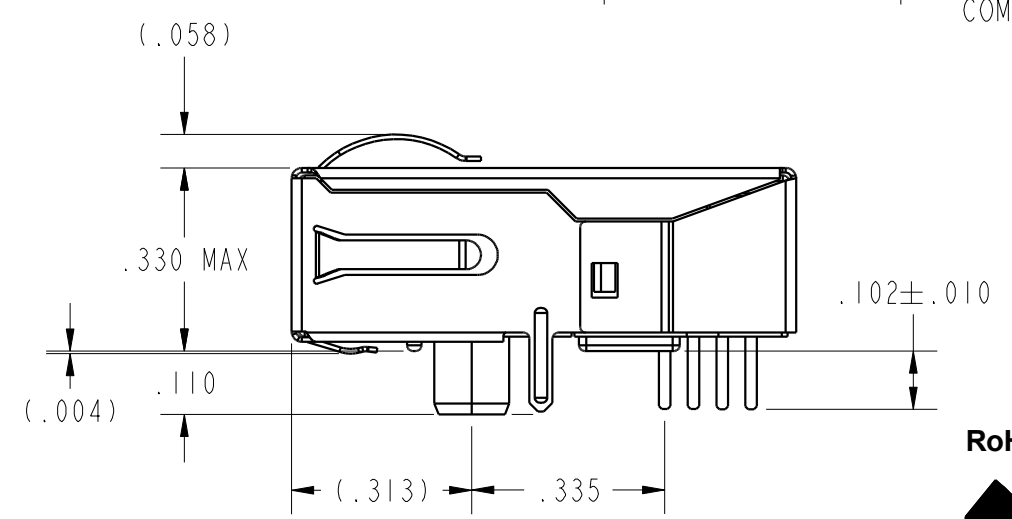
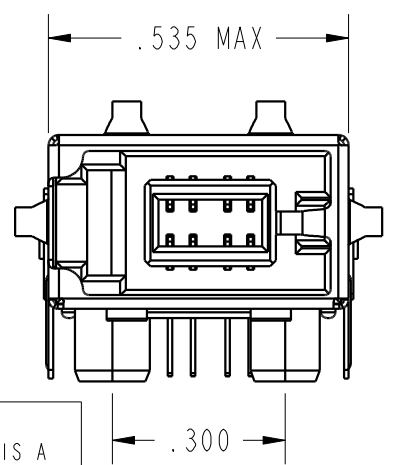
- CONNECTOR MATERIALS
HOUSING: THERMOPLASTIC UL94 V-0
CONTACTS/SHIELD: COPPER ALLOY
SHIELD PLATING: NICKEL
CONTACT PLATING: SELECTIVE GOLD OVER PALADIUM-NICKEL
- REFER TO PRODUCT SPECIFICATION PR036-01.
- WAVE SOLDER COMPATIBLE TO 260°C
- PoE+ CAPABLE
- SUGGESTED PANEL OPENING AND LOCATION IS INTENDED TO GIE USER THE ABILITY TO HAVE REASONABLE JACK/PANEL CLEARANCES, YET MAINTAIN GRUONDING CAPABILITY. THESE VARIABLES CAN BE ADJUSTED BUT MAY RESULT IN LOWER MATING FORCES OR TIGHTER ASSEMBLY TOLERANCES.

6 LOGO, PART NUMBER, AND DATE CODE LOCATED IN THIS APPROXIMATE AREA.



PCB FOOTPRINT
COMPONENT SIDE

30 μIN Pd-Ni, FLASH Au	RJP5-10-0004
CONTACT PLATING IN MATING AREA	PART NUMBER



RJ POINT FIVE IS A TRADEMARK OF TE CONNECTIVITY USED HERE BY PERMISSION

THIRD ANGLE PROJECTION	
DO NOT SCALE DRAWING	
DRAWING IS SUBJECT TO CHANGE WITHOUT NOTICE	
DIMENSIONS: INCHES [METRIC]	
UNLESS OTHERWISE SPECIFIED TOLERANCES ARE ±.005 [0.13] ANGLES ARE ±1°	
SHEET NO.	1 OF 1

11118 Susquehanna Trail South
Glen Rock, PA 17327-9199
(717) 235-7512
<http://www.stewartconnector.com>

RJ POINT FIVE, JACK, HORIZONTAL, SINGLE PORT, SHIELDED, PG4

DRN BY:	SAW	DATE	6-30-11
APPD BY:	JLB	DATE	12-20-11
DWG. NO.	CT999044	REV.	A2