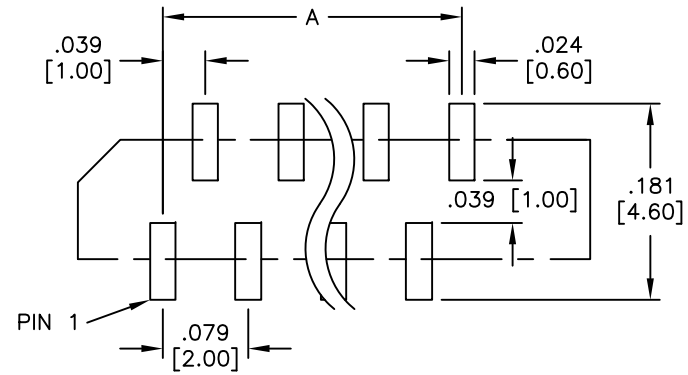
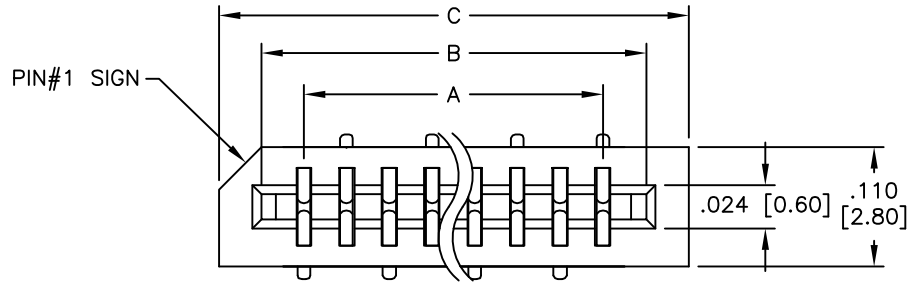
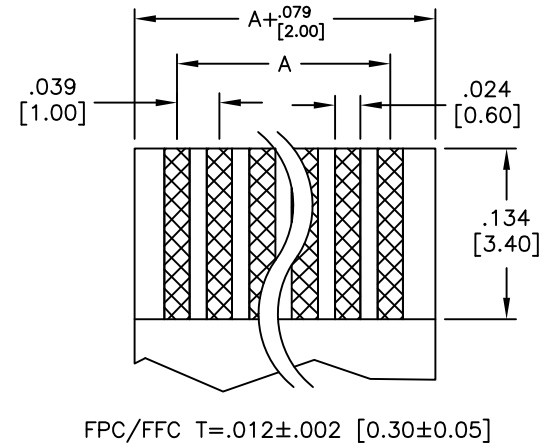
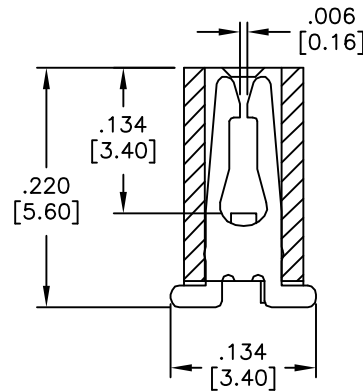
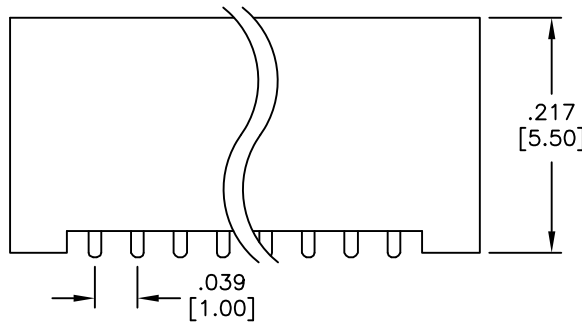


APPROVED: \_\_\_\_\_  
 DATE: \_\_\_\_\_ TITLE: \_\_\_\_\_

Rev	AWO #	Description	Date	Appr
-		RELEASED	3/23/05	
A		REDRAWN	7/25/12	



RECOMMENDED PCB LAYOUT



FPC/FFC T=.012±.002 [0.30±0.05]

**SPECIFICATIONS:**

Material:  
 Insulator: Hi-temp thermoplastic, rated UL 94V-0  
 Insulator color: Black  
 Contacts: Phosphor Bronze  
 Plating:  
 Tin over Nickel underplate overall  
 Electrical:  
 Current rating: 0.5 Amp  
 Contact resistance: 30 mohms max  
 Insulation resistance: 1000 Mohms min  
 Dielectric withstanding voltage: 500 VAC for 1 minute  
 Temperature Rating:  
 Operating temperature: -55°C to +85°C  
 Environmental:  
 Lead free, RoHS compliant



Positions: 3 thru 30

A = .039 [1.00] x No. of Spaces  
 B = A + .083 [2.10]  
 C = A + .157 [4.00]

UNLESS OTHERWISE SPECIFIED  
 ALL DIMENSIONS ARE INCHES [MM]  
 TOLERANCES: EXCEPT AS NOTED

INCHES		HOLES	
.X	± .10	∅.X	± .10
.XX	± .020	∅.XX	± .015
.XXX	± .015	∅.XXX	± .010

**ADAM TECH**

909 Rahway Avenue, Union, NJ 07083  
 Phone: 908-687-5000 Fax: 908-687-5710

APPROVALS		DATE
DRAWN	SS	3/23/05
CHECKED	AY	7/28/10
APPROVED		

TITLE LIF FLEX CIRCUIT CONNECTOR TOP ENTRY, SMT			
SIZE X	PART NO. PCB-C-XX-T-SMT	REV. A	
REF: S00043T	SCALE: NTS	SHEET 1 OF 1	