



Product Specifications

Part Numbers Information

Electrical Specifications

Voltage Rating (100mA -10A): 250VAC
Voltage Rating (12A -30A): 32VAC/DC
Operating Temperature: -55°C ~ 125°C

Standards

100mA-10A 
 Tested to UL 248-14 Standard. File E197390
 Tested to CSA C22.2 No.248.14 Standard. File E197390
 12A-30A 
 Tested to UL 248-14 Standard. File E197390
 Tested to CSA C22.2 No.248.14 Standard. File E197390

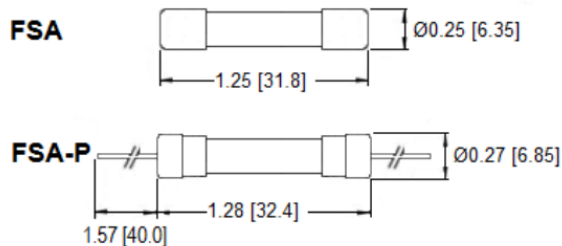
Interrupting Rating

10000A@ 125VAC (32mA-10A) meets UL/CUL standards
 35A@250VAC (32mA-1A) meets UL/CUL standards
 100A@250VAC (1.1A-3.5A) meets UL/CUL standards
 200A@250VAC (3.6A-10A) meets UL/CUL standards
 100A@125VAC (1A-15A) meets PSE standards
 100A@ 250VAC (1A-15A) meets PSE standards
 100A@ 250VAC (100mA-100A) meets KC standards
 300A@ 32VAC/DC (12-30A) meets UR/cUR standards

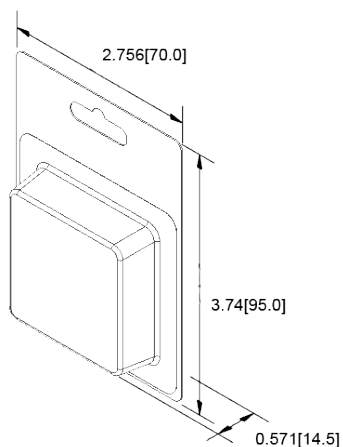
Material Specifications

Body Material: Glass
Contact Material: Brass; Nickel Plated
Wire Material: Copper; Tin Plated

Mechanical Dimensions: Inches [mm]

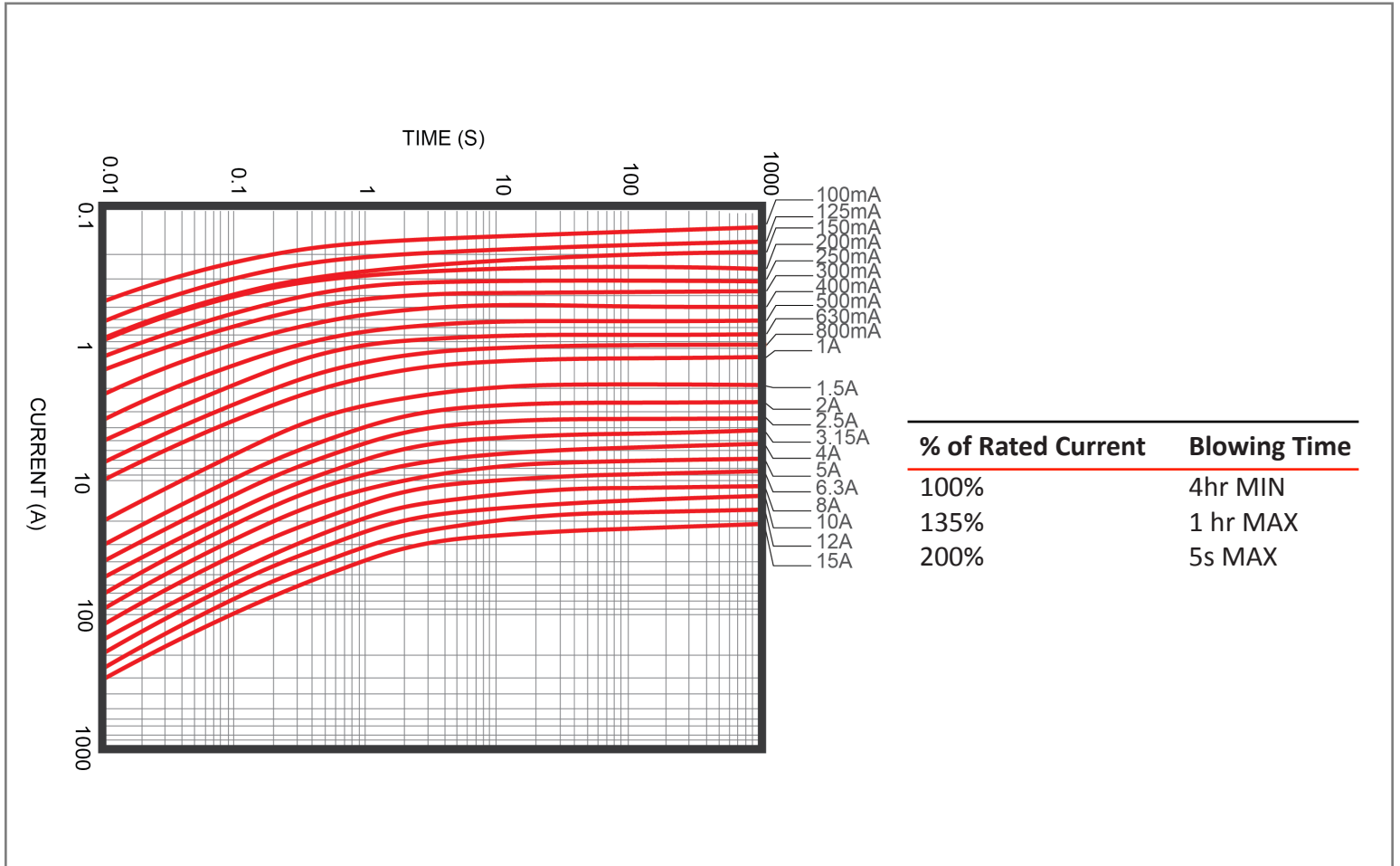


Retail Pack: Inches [mm]



Cartridge P/N	Axial Lead P/N	Ampere Rating	I ² T Reference (A ² Sec)	Blister Pack (Cartridge Style Fuse)
FSA-100mA	FSA-P-100mA	100mA	0.00194	
FSA-125mA	FSA-P-125mA	125mA	0.00373	
FSA-150mA	FSA-P-150mA	150mA	0.00685	
FSA-160mA	FSA-P-160mA	160mA	0.00782	
FSA-200mA	FSA-P-200mA	200mA	0.00655	
FSA-250mA	FSA-P-250mA	250mA	0.0123	
FSA-300mA	FSA-P-300mA	300mA	0.0215	
FSA-315mA	FSA-P-315mA	315mA	0.0239	
FSA-350mA	FSA-P-350mA	350mA	0.0384	
FSA-400mA	FSA-P-400mA	400mA	0.0515	
FSA-500mA	FSA-P-500mA	500mA	0.112	FSA-500mA-BP
FSA-600mA	FSA-P-600mA	600mA	0.213	
FSA-630mA	FSA-P-630mA	630mA	0.239	
FSA-750mA	FSA-P-750mA	750mA	0.399	
FSA-800mA	FSA-P-800mA	800mA	0.504	
FSA-1A	FSA-P-1A	1A	0.968	FSA-1A-BP
FSA-1.2A	FSA-P-1.2A	1.2A	1.751	
FSA-1.25A	FSA-P-1.25A	1.25A	1.788	
FSA-1.5A	FSA-P-1.5A	1.5A	3.565	FSA-1.5A-BP
FSA-1.6A	FSA-P-1.6A	1.6A	4.026	
FSA-2A	FSA-P-2A	2A	8.57	FSA-2A-BP
FSA-2.5A	FSA-P-2.5A	2.5A	14.21	FSA-2.5A-BP
FSA-3A	FSA-P-3A	3A	23.12	FSA-3ABP
FSA-3.15A	FSA-P-3.15A	3.15A	25.7	
FSA-3.5A	FSA-P-3.5A	3.5A	32.15	
FSA-4A	FSA-P-4A	4A	43.65	FSA-4A-BP
FSA-5A	FSA-P-5A	5A	72.54	FSA-5A-BP
FSA-6A	FSA-P-6A	6A	120.2	FSA-6A-BP
FSA-6.3A	FSA-P-6.3A	6.3A	138.6	
FSA-7A	FSA-P-7A	7A	195.3	
FSA-7.5A	FSA-P-7.5A	7.5A	-	FSA-7.5A-BP
FSA-8A	FSA-P-8A	8A	239.9	
FSA-9A	FSA-P-9A	9A	296.4	
FSA-10A	FSA-P-10A	10A	370.2	FSA-10A-BP
FSA-12A	FSA-P-12A	12A	432	
FSA-15A	FSA-P-15A	15A	787.5	FSA-15A-BP
FSA-16A	FSA-P-16A	16A	1024	
FSA-20A	FSA-P-20A	20A	2000	FSA-20A-BP
FSA-25A	FSA-P-25A	25A	3750	FSA-25A-BP
FSA-30A	FSA-P-30A	30A	5400	FSA-30A-BP

Time vs Percent of Rated Current



Rev Date of issue Revision Notes

Designed Approved

A	01-08-2024	Initial Drawing	RC	OF
---	------------	-----------------	----	----