



ANATECH ELECTRONICS INC
RF & Microwave Filters & Products

18000 MHz Tubular Low Pass Filter

Part Number: AE18000L9251



Electrical Specifications

Passband(PB): DC-18000 MHz
3dB Cutoff Frequency: 18900 MHz Min
Insertion Loss in PB: 0.60 dB Max.
VSWR in PB: 1.8:1 Max.
Rejection1: 25dB Min. @ 21600 MHz
Rejection2: 50dB Min. @ 24300 MHz
Power Handling: 50 Watts Avg.
Impedance: 50 Ohms

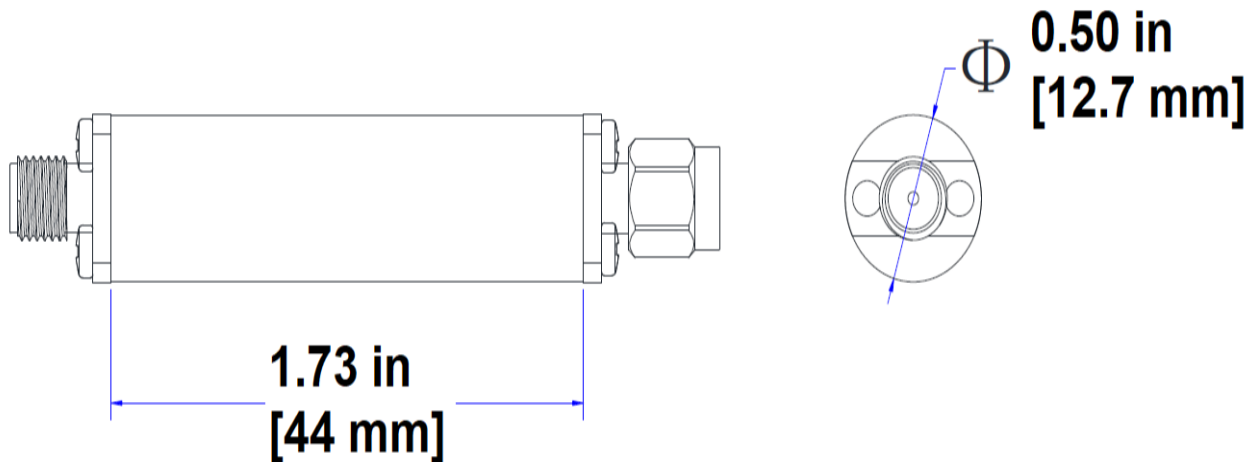
Mechanical

Connector Type: SMA (F) & SMA(M)
Dimensions: 1.73 X 0.50 In.

Environmental

Operating Temperature: -20° C to +70° C
Storage Temperature: -55° C to +95° C
Shock: 10 G.11ms
Vibration: 10 G. 5 to 200Hz

Outline Drawing:



Tolerance: +/-0.01 inches [+/- 0.3mm]

Angles: +/- 1 Deg.

**Tolerance as shown unless otherwise specified in the datasheet electrical specification tables above.*

**When max dimensions are called out the above tolerances do not apply as long as it is under the max call out.*

70 Outwater Lane Phone: (973) 772-4242
 Garfield, NJ 07026 Fax : (973) 321-3941

Email: sales@anatechelectronics.com
 Web: www.anatechelectronics.com



Response Plot:

