



ANATECH ELECTRONICS INC
RF & Microwave Filters & Products

2580-2590 MHz Cavity Band Pass Filter

Part Number: AE2585B1368



Electrical Specifications

Center Frequency: 2585 MHz
Bandwidth: 10 MHz Min
Passband: 2580-2590 MHz
Insertion Loss: 3.0 dB Max
VSWR: 1.50:1 Max
Rejection: >30 dBc @ 2610 MHz
Power: 20 Watts CW
Impedance: 50 Ω

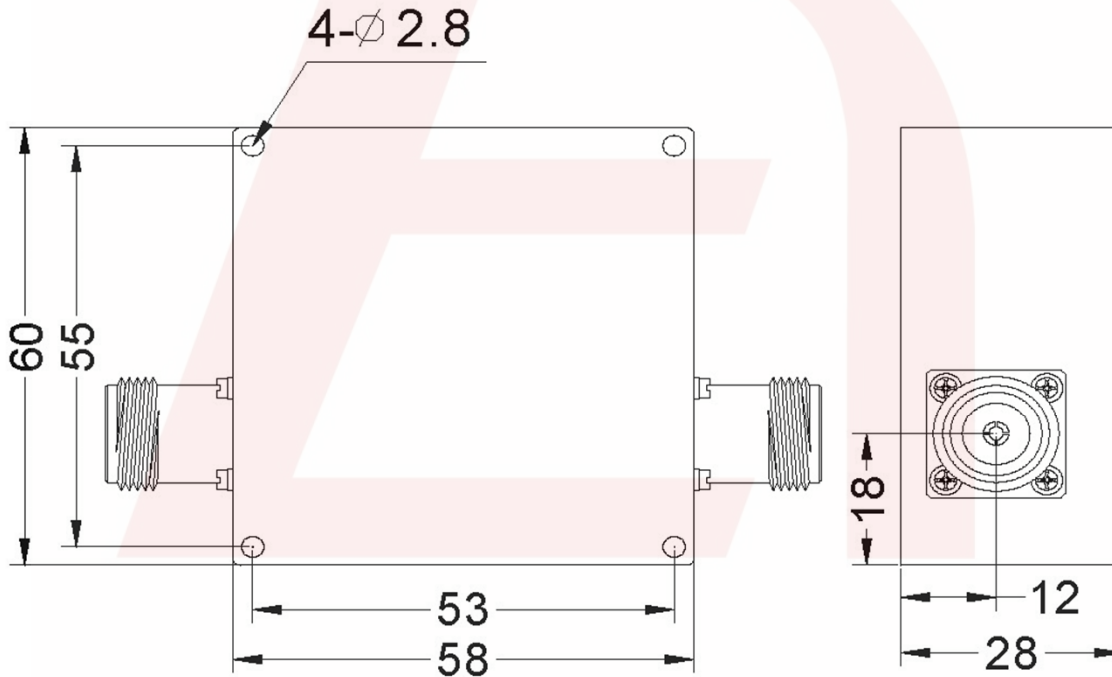
Mechanical

Connector Type: N-Type (F)
Dimensions: 60 x 58 x 28 mm

Environmental

Operating Temperature: -40 to +70° C
Storage Temperature: -55 to +85° C
Shock: 20 G. 11ms
Vibration: 20 G. 5 to 200 Hz

Outline Drawing:



Note: Unit: mm, Unless otherwise specified, .Outline drawing +/-0.2mm; Hole +/-0.1mm

DS-B1368-03152018-Rev0