



Electrical Specifications

Center Frequency: 60 MHz
-3dB Bandwidth: 8.85 Min, 10.15 Max
Insertion Loss: 3.0 dB Max at 60 MHz
In/Out VSWR: 1.30:1 Max
Stopbands: >60 dB @ 30 MHz
 >60 dB @ 90 MHz
 >40 dB @ 90-500MHz
Phase Linearity: $\pm 2^\circ$ Max at 55-65 MHz

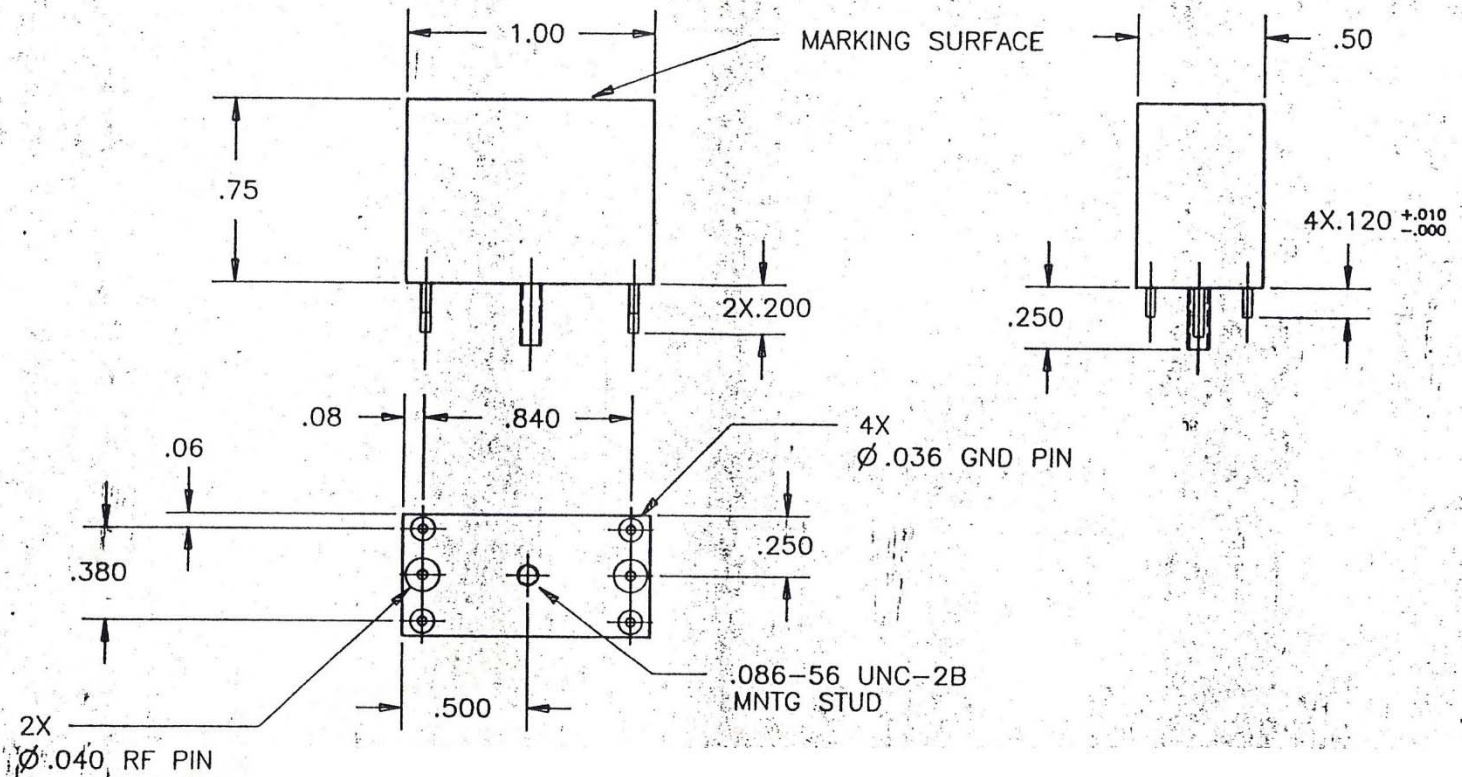
Mechanical

Connector Type: RF Pins
Dimensions: 1.00 x 0.50 x 0.75 Inches

Environmental

Operating Temperature: -30 to +85° C
Storage Temperature: -40 to +95° C
Shock: 20 G. 11 ms
Vibration: 20 G. 5 to 200 MHz

Outline Drawing:



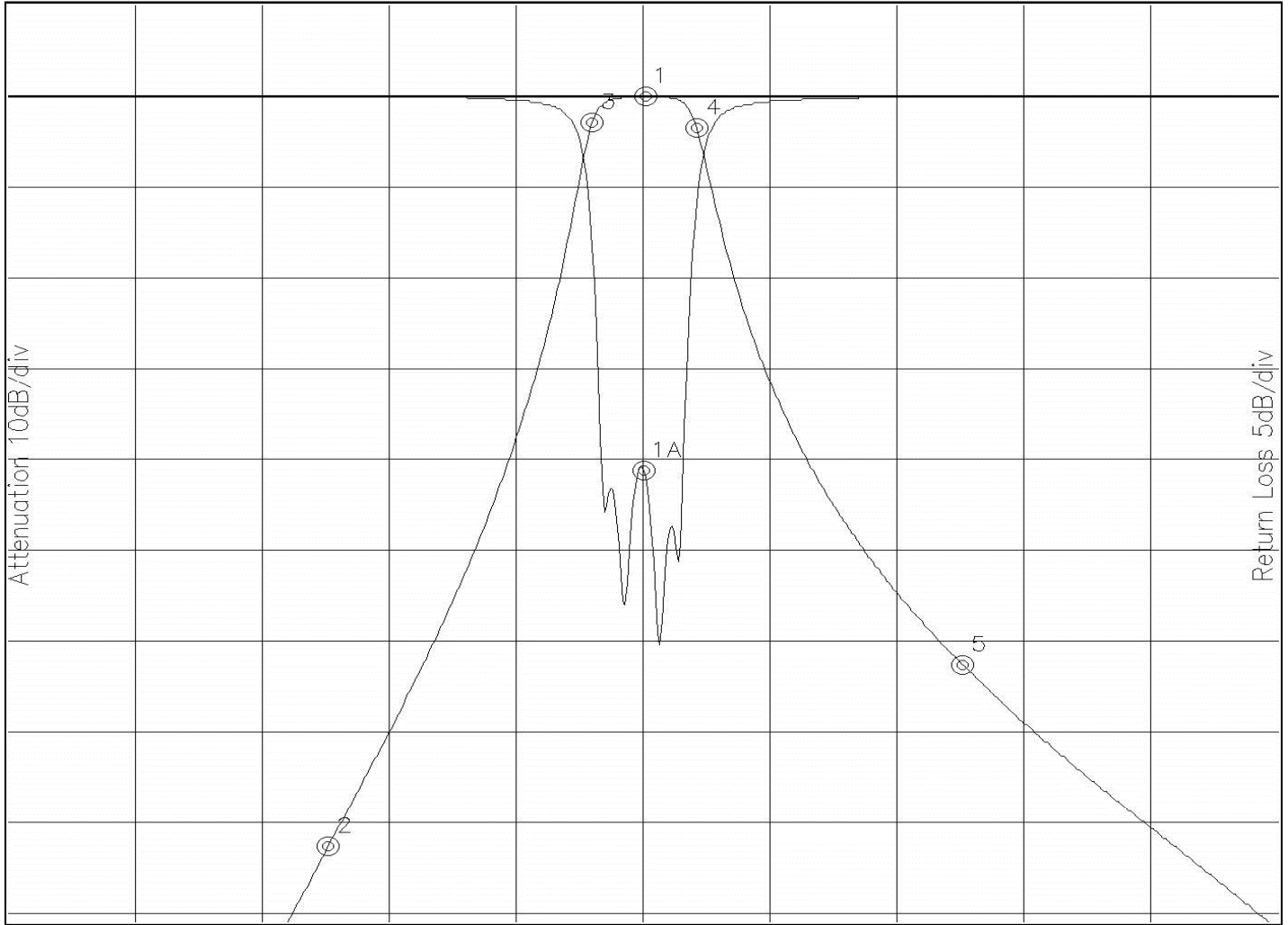


Response Plot:

A507.lad

DEC 9, 2015

Attenuation/Return Loss



Attenuation Start: 0.012Hz Stop: 120.0MHz

Return Loss Start: 0.012Hz Stop: 120.0MHz

Offset -1.9565dB

- Marker 1 Freq 60.097MHz Atten 0.043dB
- Marker 2 Freq 30.048MHz Atten -82.419dB
- Marker 3 Freq 55.057MHz Atten -2.825dB
- Marker 4 Freq 64.943MHz Atten -3.478dB
- Marker 5 Freq 90.145MHz Atten -62.466dB

Marker 1A Freq 59.903MHz Ret Loss -20.495dB