



**Electrical specifications**

**Center Frequency:** 5 MHz  
**Insertion Loss:** <8 dB  
**Return Loss @ fc:** >15 dB  
**Rejection:** >45 dB @ 0-3.4 MHz  
**Rejection 2:** >45 dB @ 7-100 MHz  
**Input / Output Impedance:** 50 Ohms

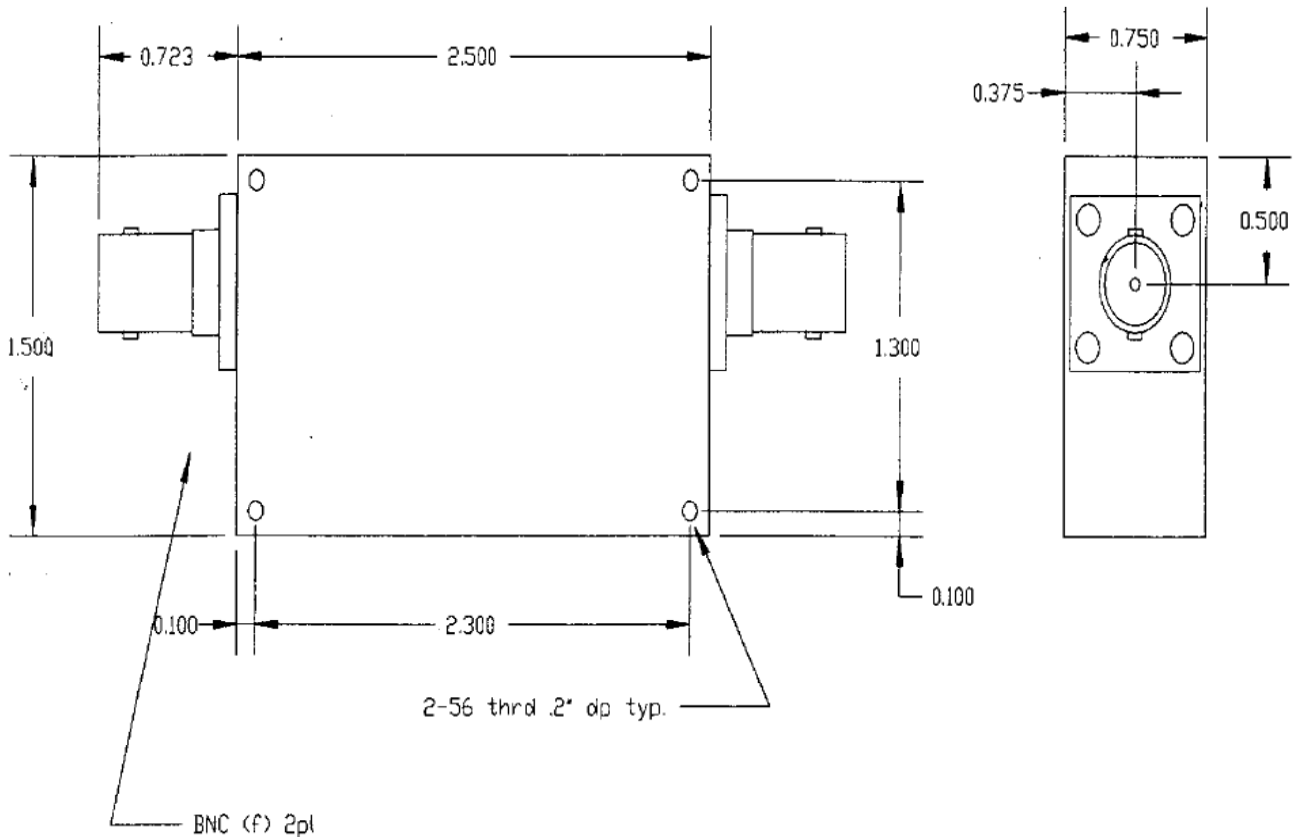
**Mechanical**

**Connector Type:** BNC (F)  
**Dimensions:** 2.5 x 1.5 x 0.750 inches

**Environmental**

**Operating Temperature:** -45 to +85 deg.C  
**Storage Temperature:** -55 to +95 deg.C  
**Shock:** 20 G. 11ms  
**Vibration:** 20 G. 5 to 200 MHz

**Outline Drawing:**





**Response Plot:**

12 Sep 2008 11:07:20

CH1 S<sub>11</sub> log MAG 5 dB/ REF 0 dB 1 -21.419 dB  
CH2 S<sub>21</sub> log MAG 5 dB/ REF 1.941 dB 5, -50.6 dB

