



**ANATECH ELECTRONICS INC**  
RF & Microwave Filters & Products

# 2440 MHz Cavity Bandpass Filter

Part Number: WiFi4S2440-7



## Electrical specifications

**Center Frequency:** 2440 MHz  
**Bandwidth:** (-1dB): 22 MHz  
**Input / Output Impedance:** 50 Ohms  
**Passband:** 2425-2455 MHz  
**Passband Insertion Loss:** <2 dB  
**Passband Ripple:** <0.25 dB  
**Passband Return Loss:** >15 dB  
**Rejection:** > 45dB @ 2390 MHz  
**Rejection 2:** > 45dB @ 2490 MHz  
**Harmonic Rejection:** > 90 dBc  
**Power Handling:** 50 W

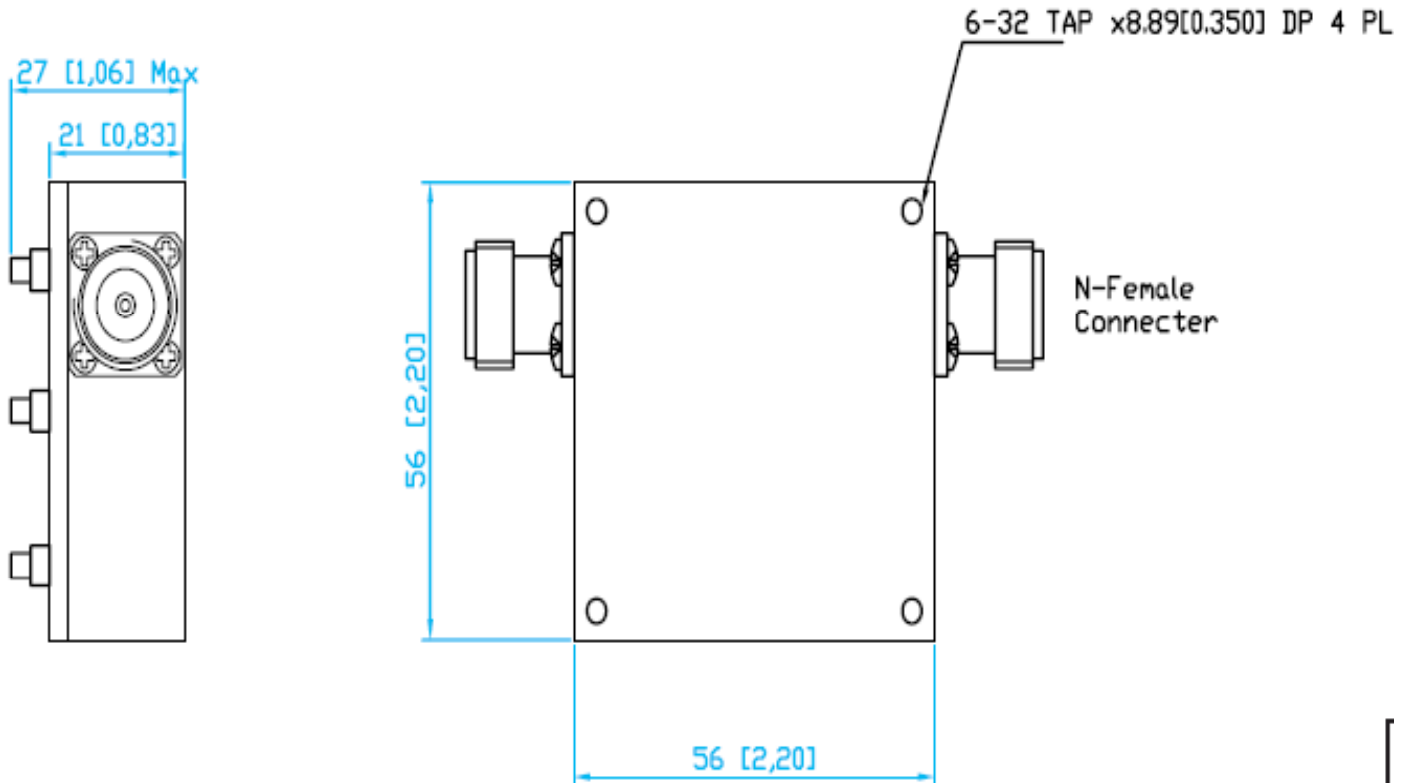
## Mechanical

**Mounting Method:** Threaded Mounting Holes  
**Connector Type:** 2 N-Type (F)  
**Dimensions:** 56mm x 56mm x 27mm

## Environmental

**Operating Temperature:** -45 to +85 deg.C  
**Storage Temperature:** -55 to +95 deg.C  
**Shock:** 20 G. 11ms  
**Vibration:** 20 G. 5 to 200 MHz

## Outline Drawing:





**ANATECH ELECTRONICS INC**  
RF & Microwave Filters & Products

# 2440 MHz Cavity Bandpass Filter

Part Number: WiFi4S2440-7



## Response Plot:

