



250 MHz LC Bandpass Filter

Part Number: AE250B8813



Electrical specifications

Center Frequency: 250 MHz
Insertion Loss: 2 dB Max
Return Loss: 14 dB Min
Ripple: 0.1 dB
Rejection: >45 dB @ 0-120 MHz
>45 dB @ 520-2000 MHz

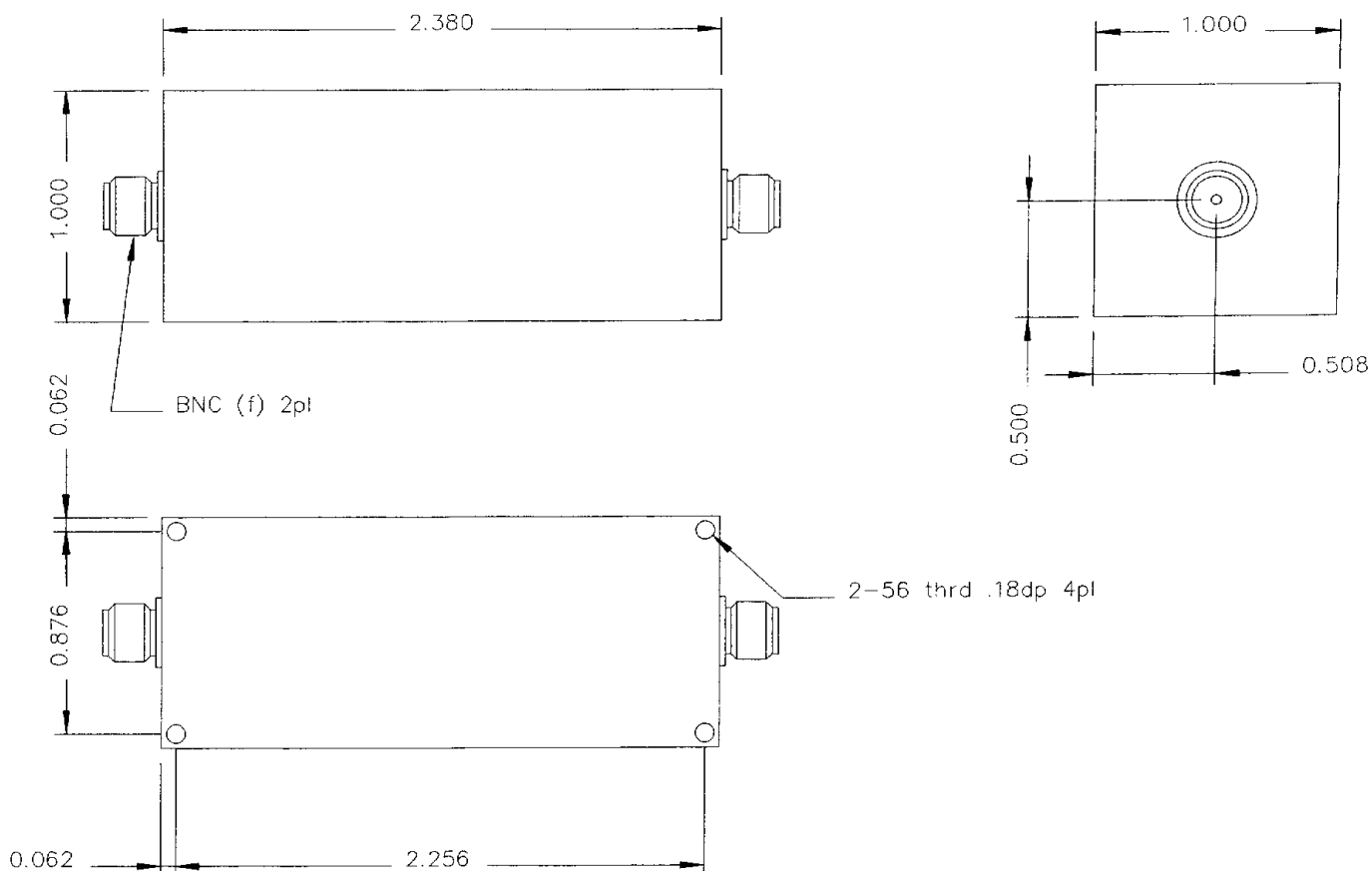
Mechanical

Connector Type: BNC (F)
Dimensions: 2.38 x 1.0 x 1.0 inches

Environmental

Operating Temperature: -55 to +85° C
Shock: 30 G. 11ms
Vibration: 10 G. 5 to 1000 Hz

Outline Drawing:



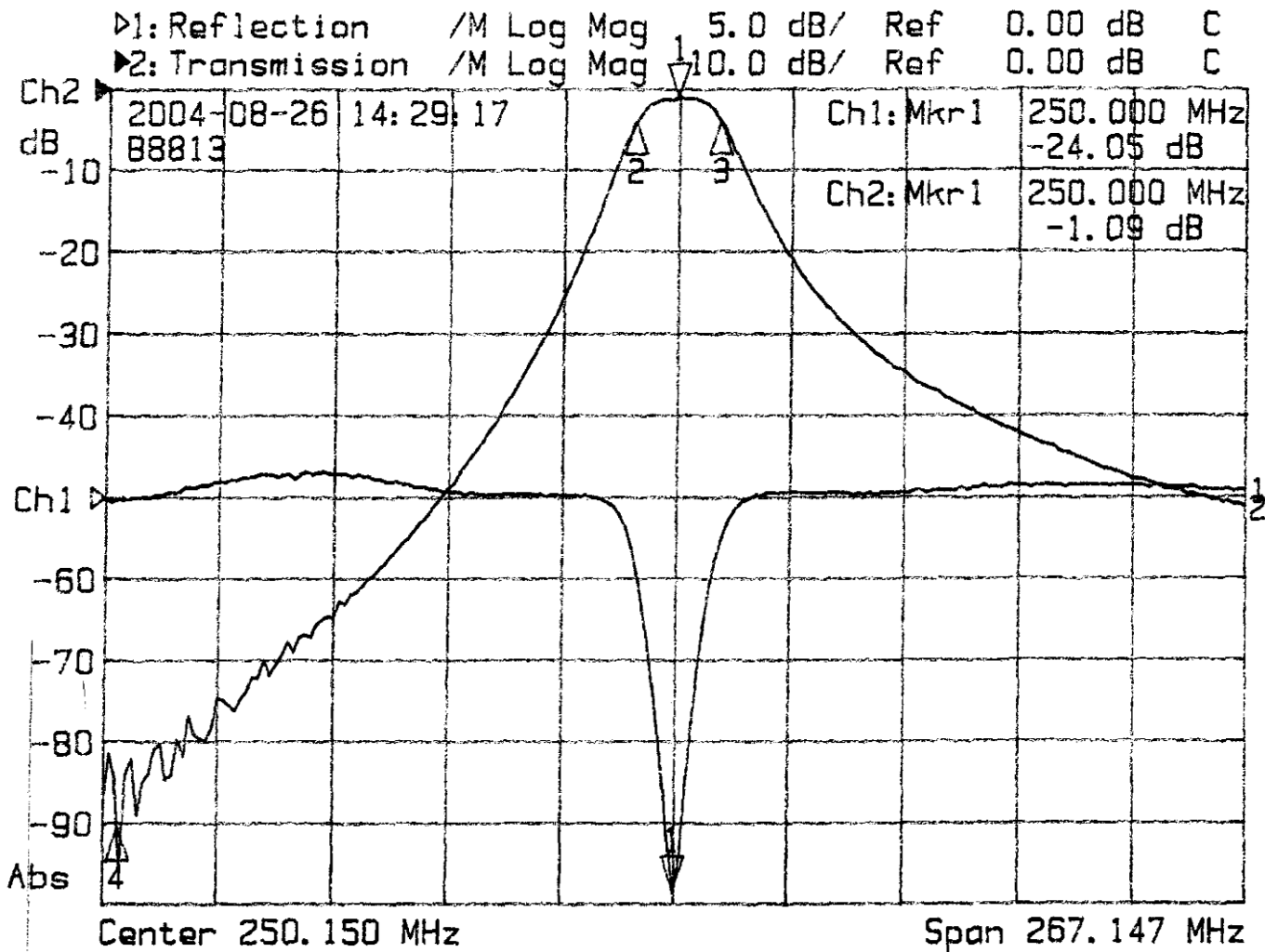


250 MHz LC Bandpass Filter

Part Number: AE250B8813



Plot:



1: Mkr (MHz)	dB	2: Mkr (MHz)	dB
1> 250.00	-24.05	1> 250.00	-1.09
		2: 240.00	-4.04
		3: 260.00	-4.09
		4: 120.00	-90.73