



# 915 MHz Cavity Band Pass Filter for Outdoor



**ANATECH ELECTRONICS INC**  
RF & Microwave Filters & Products

**Part Number: AE915B11738**

## Electrical Specifications

**Center Frequency:** 915 MHz  
**Passband:** 902-928 MHz  
**Insertion Loss 1:** 1.0 dB @ 902-925 MHz  
**Insertion Loss 2:** ~ 3.0 dB @ 928 MHz  
**Return Loss:** 14.0 dB Min.  
**Ripple:** 0.2 dB Max  
**Rejection1:** 40 dB Min @ 894 MHz  
**Rejection2:** 35 dB Min @ 929.5-930.5 MHz  
**Power Handling:** 50 W CW  
**Input / output Impedance:** 50 Ohms

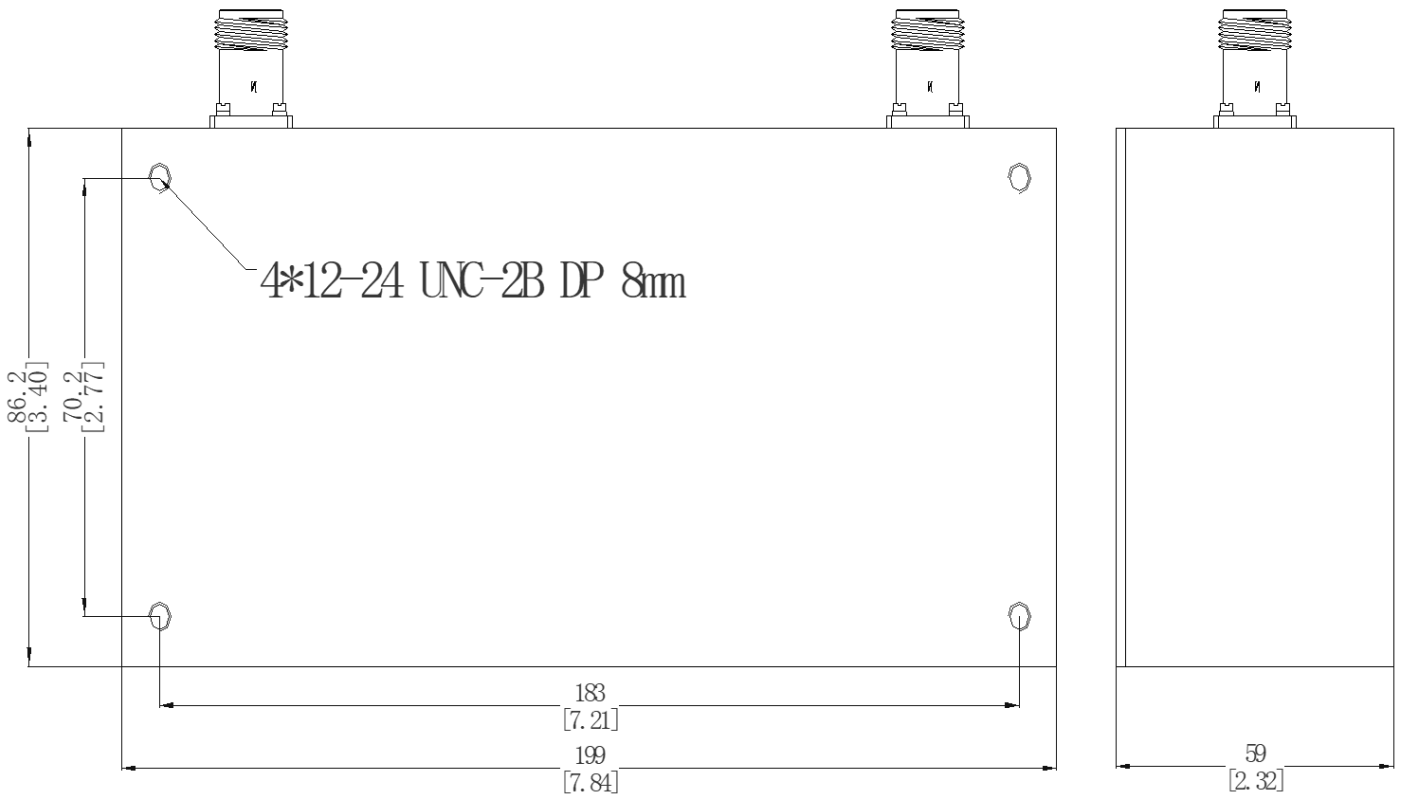
## Mechanical

**Mounting Method:** Threaded Holes  
**Connector Type:** N-Type(F)  
**Dimensions:** 7.84" X 3.4" x 2.32"  
**Dimensions:** 199 X 86.2 X 59 mm

## Environmental

**Operating Temperature:** -45°C to +85°C  
**Storage Temperature:** -55°C to +95°C  
**Shock:** 20 G. 11ms  
**Vibration:** 20 G. 5 to 200Hz  
**Weatherproofing:** IP65

## Outline Drawing:



Tolerance: +/-0.01 inches [+/- 0.3mm]

Angles: +/- 1 Deg.

\*Tolerance as shown unless otherwise specified in the datasheet electrical specification tables above.

\*When max dimensions are called out the above tolerances do not apply as long as it is under the max call out.

**70 Outwater Lane Phone: (973) 772-4242**  
**Garfield, NJ 07026 Fax : (973) 321-3941**

**Email: [sales@anatechelectronics.com](mailto:sales@anatechelectronics.com)**  
**Web: [www.anatechelectronics.com](http://www.anatechelectronics.com)**



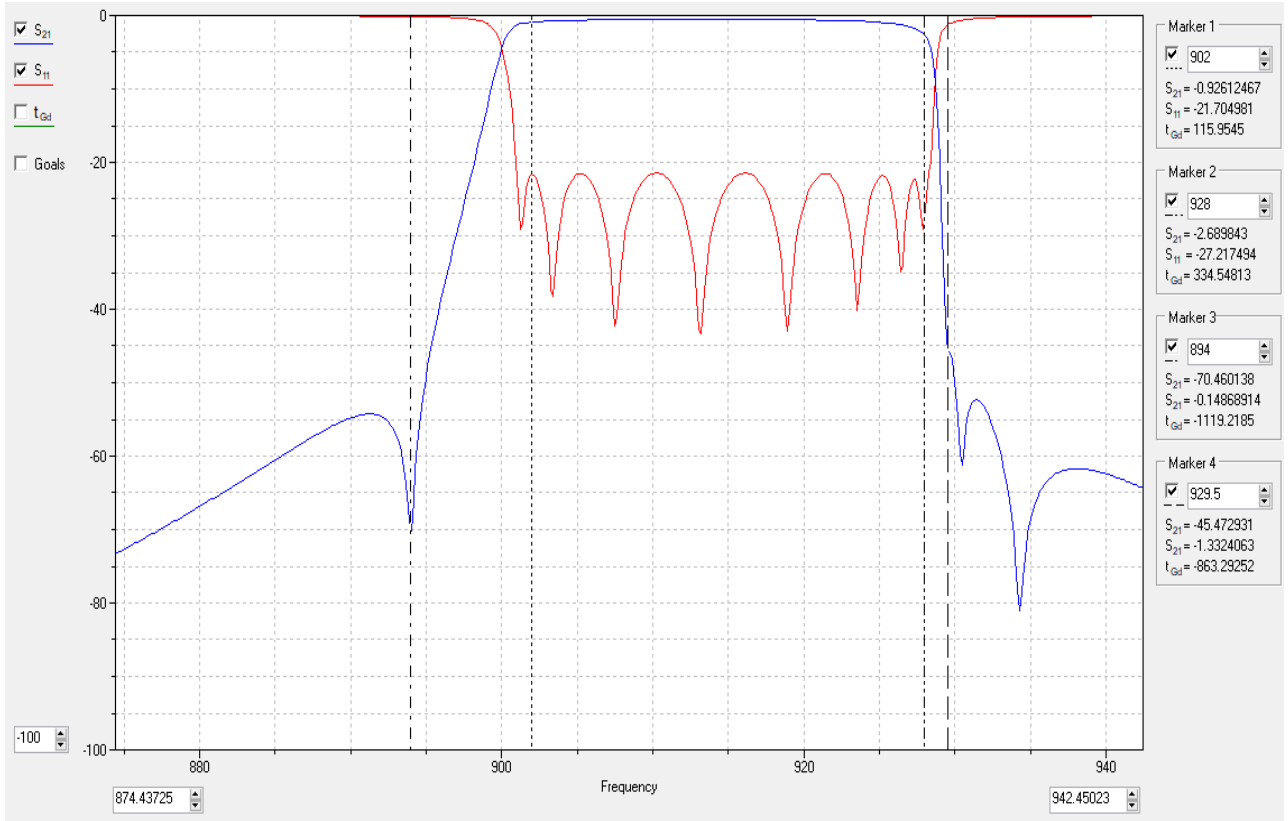
# 915 MHz Cavity Band Pass Filter for Outdoor

Part Number: AE915B11738



**ANATECH ELECTRONICS INC**  
RF & Microwave Filters & Products

## Simulation Plot:



Note: This is a simulated response plot. Actual performance might differ.