



# 2202.5 MHz Cavity Band Pass Filter



**ANATECH ELECTRONICS INC**  
RF & Microwave Filters & Products

**Part Number: AE2202B11714**

## Electrical Specifications

**Center Frequency:** 2202.5 MHz  
**Bandwidth(BW):** 15 MHz  
**Passband Frequency (PB):** 2195-2210 MHz  
**Insertion Loss :** 2.0 dB Max  
**Return Loss :** 15 dB Min.  
**Rejection1:** 10 dB Min. @ 2179.5 MHz  
**Rejection2:** 40 dB Min. @ 2125 MHz  
**Rejection3:** 40 dB Min. @ 2270 MHz  
**Power Handling:** 25 W Max.  
**Input / output Impedance:** 50 Ohms

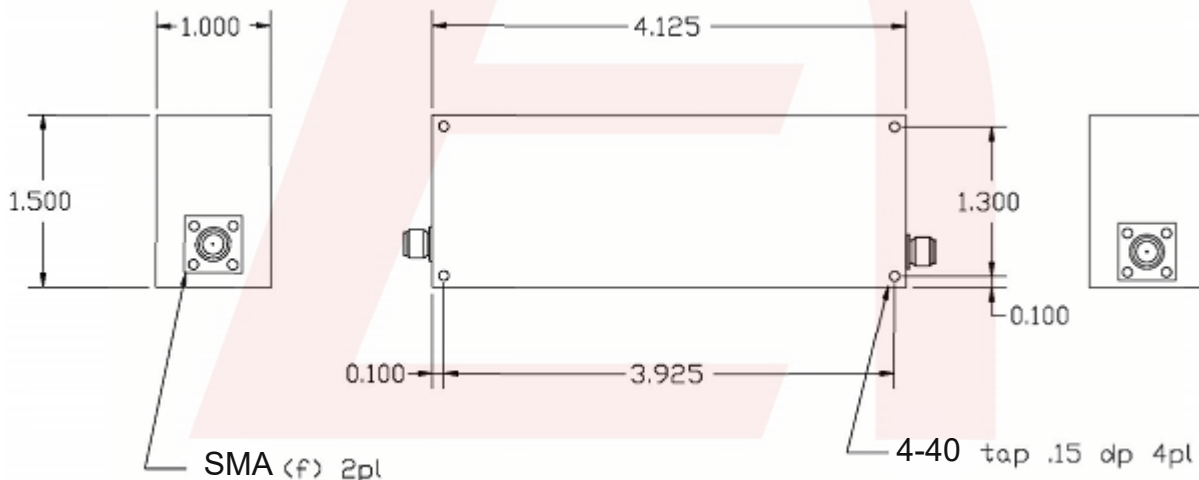
## Mechanical

**Mounting Method:** Threaded Holes  
**Connector Type:** SMA(F)  
**Dimensions:** 4.125 x 1.5 x 1.0 in.

## Environmental

**Operating Temperature:** -45°C to +75°C  
**Storage Temperature:** -55°C to +85 °C  
**Shock:** 20G. 11ms  
**Vibration:** 20G 0.5 to 200 Hz

## Outline Drawing:



Tolerance: +/-0.01 inches [+/- 0.3mm]

Angles: +/- 1 Deg.

\*Tolerance as shown unless otherwise specified in the datasheet electrical specification tables above.

\*When max dimensions are called out the above tolerances do not apply as long as it is under the max call out.

DS-B11714-07272020-Rev0

70 Outwater Lane Phone: (973) 772-4242  
Garfield, NJ 07026 Fax : (973) 321-3941

Email: [sales@anatechelectronics.com](mailto:sales@anatechelectronics.com)  
Web: [www.anatechelectronics.com](http://www.anatechelectronics.com)