



ANATECH ELECTRONICS INC
RF & Microwave Filters & Products

1+(MHz High Power LC Low Pass Filter

Part Number: AE1+(L9206-SMAF



Electrical Specifications

Cutoff Frequency: 111 MHz
Insertion Loss: 1.0 dB Max @ DC-111 MHz
Return Loss: 15 dB Min
Stopband: 60 dB at 252 MHz
Ultimate Rejection: 60 dB Min @ 252-2000 MHz
Power Handling: 60 W

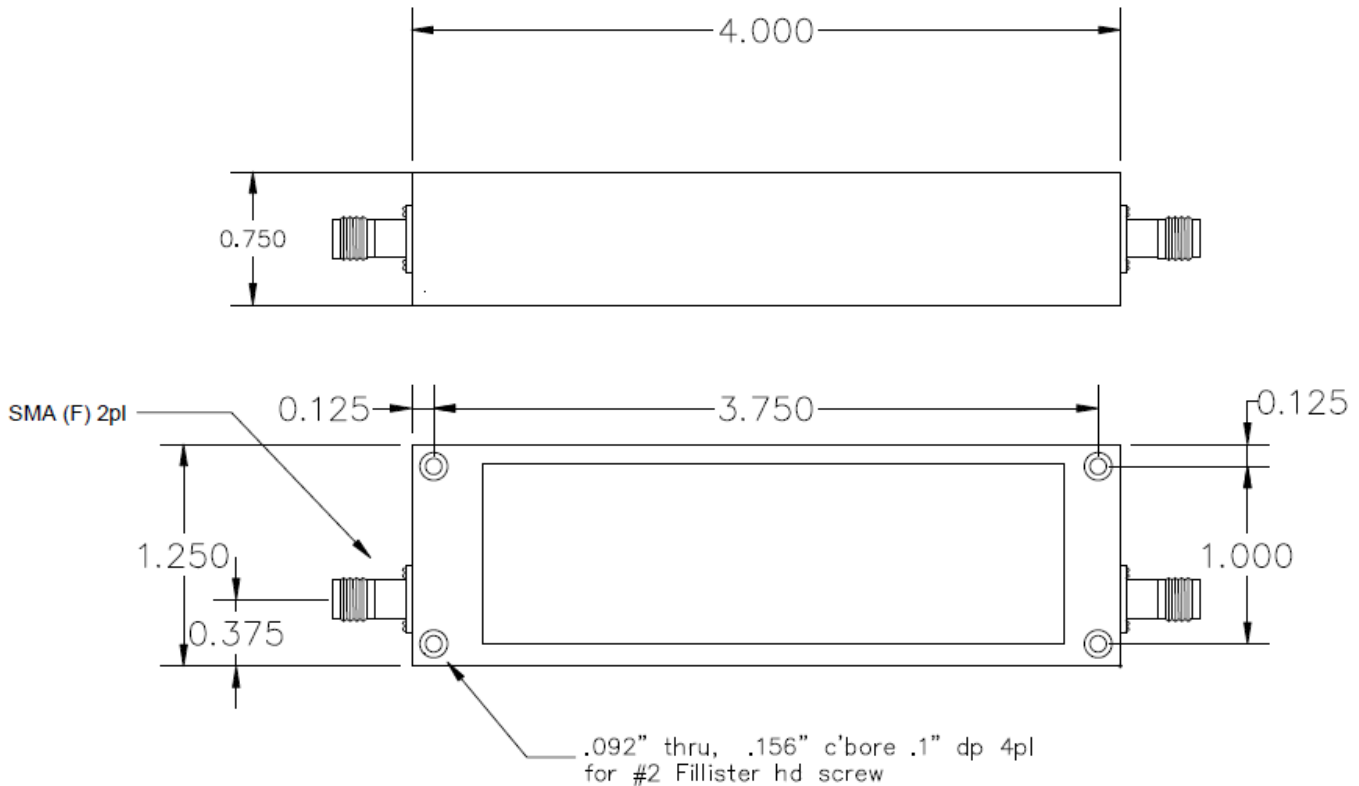
Mechanical

Mounting Method: Through Holes
Connector Type: SMA(F)
Dimensions: 4.0 x 1.25 x 0.75 Inches

Environmental

Operating Temperature: -40 to +85° C
Storage Temperature: -50 to +95° C
Shock: 20 G. 11 ms
Vibration: 20 G. 5 to 200 Hz

Outline Drawing:



2 decimal places: +/-0.01 inches [+/- 0.3mm]

3 decimal places: +/- 0.005 inches [+/- 0.13mm]

Angles: +/- 1 Deg.

When max dimensions are called out the above tolerances do not apply as long as it is under the max call out.