



**ANATECH ELECTRONICS INC**  
RF & Microwave Filters & Products

# 1 MHz LC Low Pass Filter

**Part Number: AE1L7825**



## Electrical specifications

**Cutoff Frequency :** 1 MHz  
**Passband:** DC-1 MHz  
**Insertion loss:** <0.8 dB  
**Return loss:** >20 dB  
**Rejection :**  $\geq 50$  dB @ 1.994-4.012 MHz  
**Power Handling:** 200 Watts

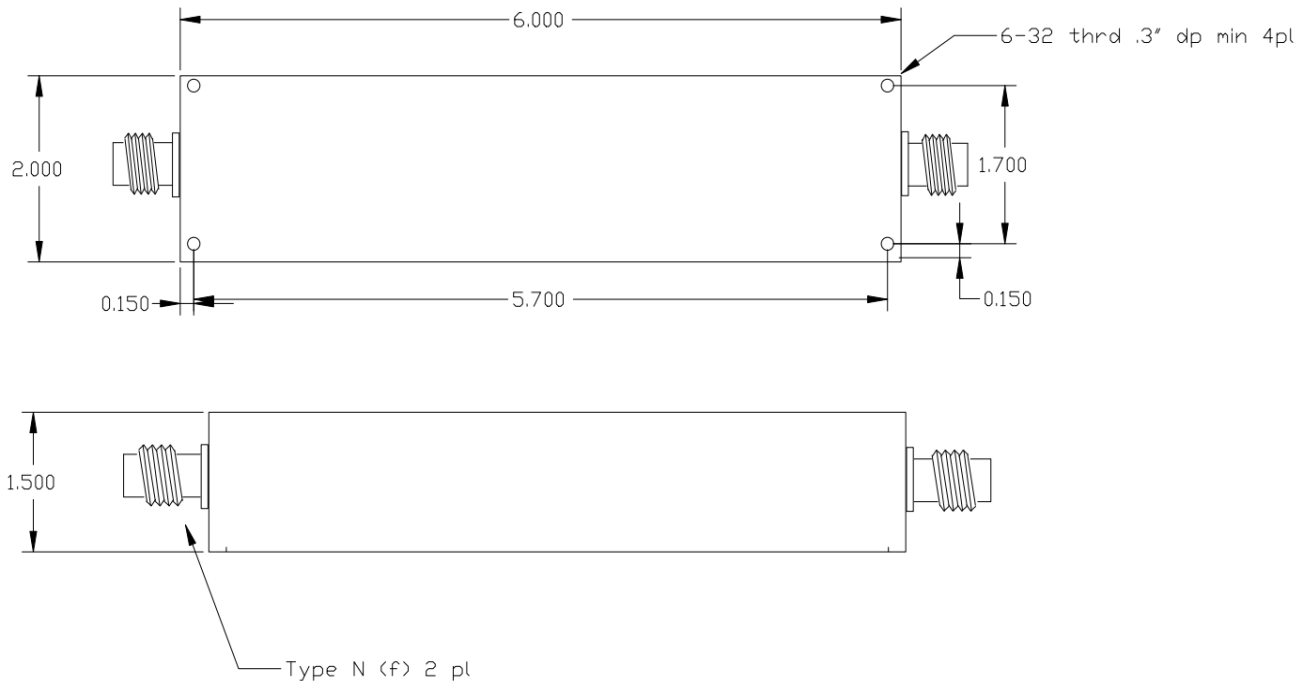
## Mechanical

**Connector Type:** N-Type(F)  
**Dimensions:** 6.00 x 2.00 x 1.50 Inches

## Environmental

**Operating Temperature:** -40°C to +70°C  
**Storage Temperature:** -55°C to +85°C  
**Shock:** 10 G. 11ms  
**Vibration:** 10 G. 5 to 200 Hz

## Outline Drawing:



Rev A EDS04142021