



ANATECH ELECTRONICS INC
RF & Microwave Filters & Products

210 MHz LC Band Pass Filter

Part Number: AE210B11269



Electrical Specifications

Center Frequency: 210 MHz
3dB Pass Band: 202.5-217.5 MHz
Insertion Loss: 5.5 dB Max at 210 MHz
In/Out VSWR: 1.25:1 Max at 210 MHz
40dB Bandwidth: 48 MHz Max

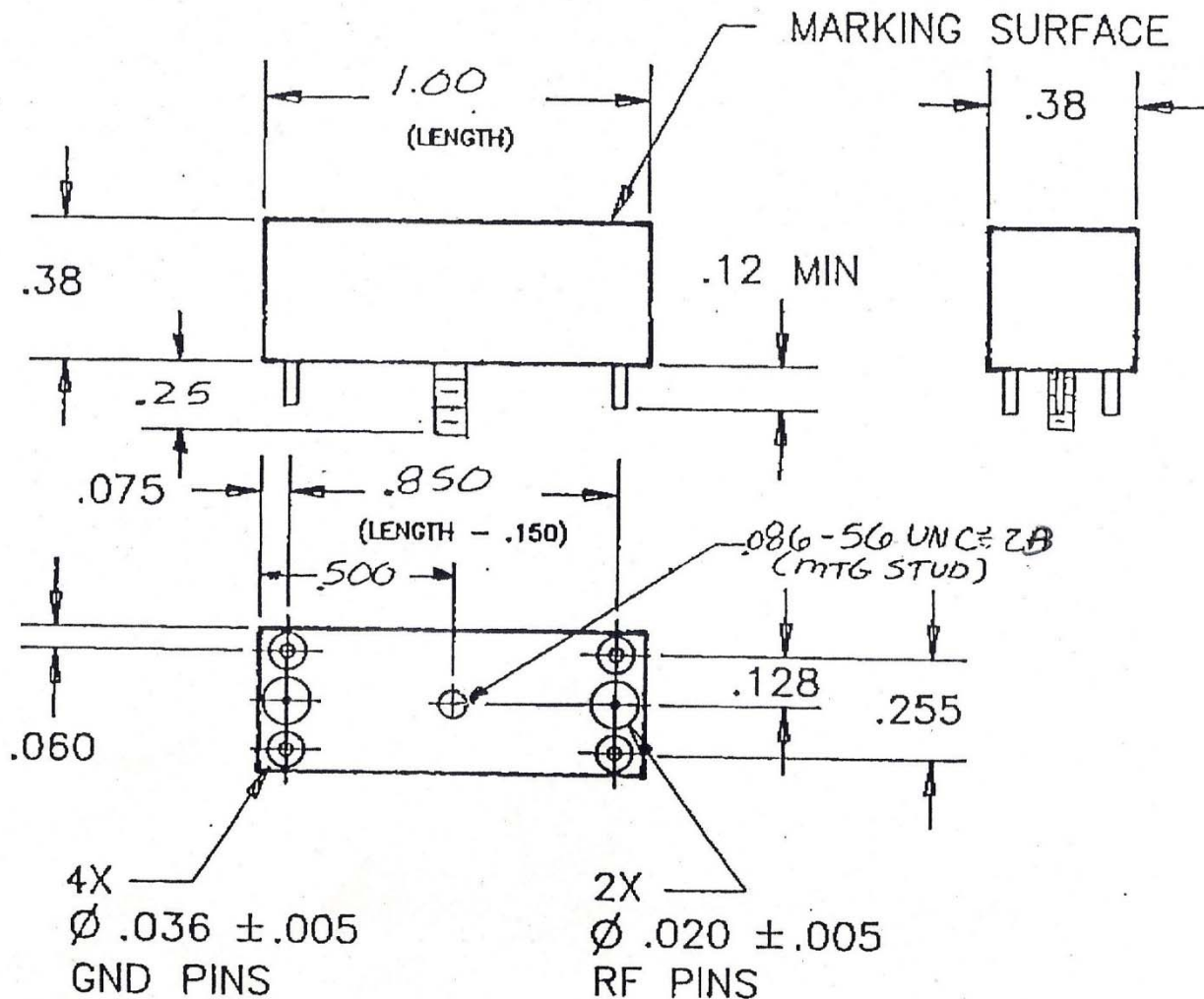
Mechanical

Connector Type: RF Pins
Dimensions: 1.00 x 0.38 x 0.38 Inches

Environmental

Operating Temperature: -30 to +85° C
Storage Temperature: -40 to +95° C
Shock: 20 G. 11 ms
Vibration: 20 G. 5 to 200 MHz

Outline Drawing:



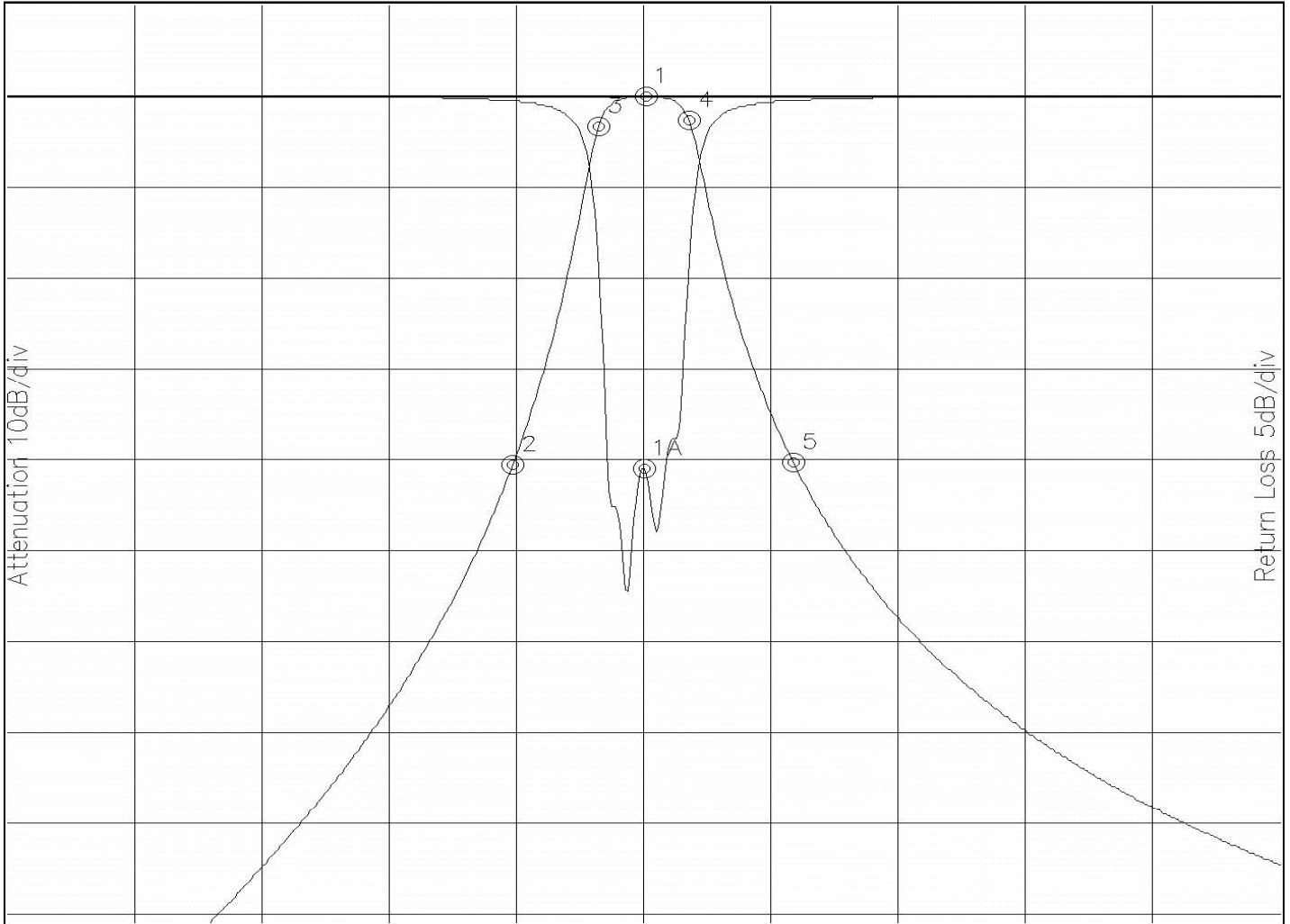


Response Plot:

A511.lad

DEC 13, 2015

Attenuation/Return Loss



Attenuation Start: 110.0MHz Stop: 310.0MHz

Return Loss Start: 110.0MHz Stop: 310.0MHz

Offset -3.0434dB

Marker 1 Freq 210.16MHz Atten 0.083dB

Marker 1A Freq 209.83MHz Ret Loss -20.476dB

Marker 2 Freq 189.16MHz Atten -40.503dB

Marker 3 Freq 202.73MHz Atten -3.166dB

Marker 4 Freq 216.94MHz Atten -2.703dB

Marker 5 Freq 233.42MHz Atten -40.325dB