

DESCRIPTION

The MP5418A is a monolithic negative charge pump with a built-in adjustable negative regulator. It has a 2.3V to 5V input range, and provides an unregulated output that equals negative input voltage. The MP5418A also provides a regulated output between 0V and negative input voltage.

No external inductor is required for simplicity and compactness. An internal soft-start circuit effectively reduces the inrush current during start-up.

The MP5418A is available in an ultra-low profile QFN-10 (1.4mmx1.8mm) package. The MP5418A requires four ceramic capacitors to get the minimum solution size. It is ideal for a wide range of applications, including optical modules, RF amplifiers, and sensor supplies.

FEATURES

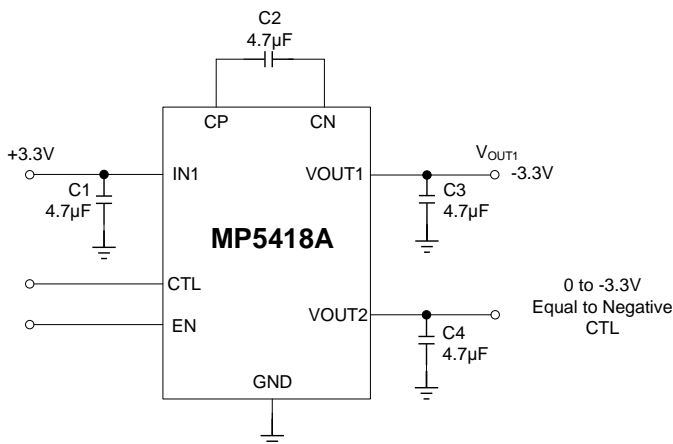
- 2.3V to 5V V_{IN} Range
- Up to 200mA Output Current
- Only 4 x 4.7 μ F Capacitor Required for 60mA
- Low V_O Ripple with Fixed Frequency Control
- EN Control
- No Inrush Current during Start-Up
- Short Current Protection
- Dual-Output:
 - -1x Charge Pump
 - Regulated Output between 0V and $-V_{IN}$
- Available in a QFN-10 (1.4mmx1.8mm) Package

APPLICATIONS

- Optical Modules
- Bias for RF Amplifiers
- Sensor Supply in Portable Instruments

All MPS parts are lead-free and adhere to the RoHS directive. For MPS green status, please visit the MPS website under Quality Assurance. "MPS", the MPS logo, and "Simple, Easy Solutions" are registered trademarks of Monolithic Power Systems, Inc. or its subsidiaries.

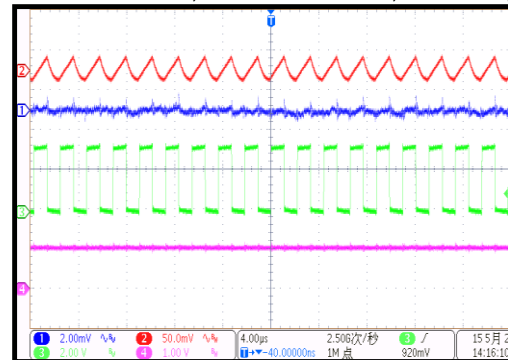
TYPICAL APPLICATION



Steady State

$I_{OUT1} = 0A$, $I_{OUT2} = 60mA$

CH2: V_{OUT1} / AC ; CH1: V_{OUT2} / AC ; CH3: CP; CH4: CTL



ORDERING INFORMATION

Part Number*	Package	Top Marking	MSL Rating
MP5418AGQG	QFN10 (1.4mmx1.8mm)	See Below	1

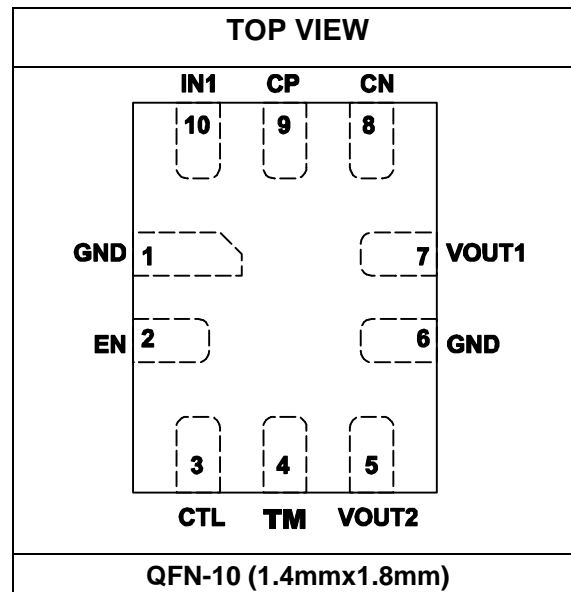
* For Tape & Reel, add suffix -Z (e.g. MP5418AGQG-Z).

TOP MARKING

—
KG
LL

KG: Product code of MP5418AGQG
 LLL: Lot number

PACKAGE REFERENCE



PIN FUNCTIONS

Pin #	Name	Description
1	GND	Power ground.
2	EN	On/off control.
3	CTL	Analog input voltage. The V_{OUT2} voltage is -1x the CTL pin voltage.
4	TM	Test mode pin. For factory use only. Float TM or connect it to GND. Do not connect TM to other pins.
5	VOU2	Negative linear regulator output. A decoupling capacitor is required.
6	GND	Power ground.
7	VOU1	Negative charge pump output. A decouple capacitor is needed.
8	CN	Fly capacitor negative terminal.
9	CP	Fly capacitor positive terminal.
10	IN1	Supply voltage. The MP5418A operates from a 2.3V to 5V unregulated input. Decouple capacitor is required to prevent large voltage spikes from appearing at the input.

ABSOLUTE MAXIMUM RATINGS ⁽¹⁾

Supply voltage (V_{IN})	6V
V_{CP}	-0.3V to $V_{IN} + 0.3V$
V_{CN}	$V_{OUT} - 0.3V$ to $+0.3V$
V_{OUT1}	-6V to $+0.3V$
V_{OUT2}	V_{OUT1} to $0.3V$
All other pins(except Pin4)	-0.3V to $+6V$
Junction temperature	150°C
Lead temperature	260°C
Continuous power dissipation ($T_A = 25^\circ C$) ⁽²⁾ ⁽⁴⁾	1.47W
Storage temperature	-65°C to $+150^\circ C$

ESD Rating

Human body model (HBM)	$\pm 2kV$
Charged device model (CDM)	$\pm 2kV$

Recommended Operating Conditions ⁽³⁾

Supply voltage (V_{IN})	2.3V to 5V
Operating junction temp (T_J)	-40°C to $+125^\circ C$

Thermal Resistance	θ_{JA}	θ_{JC}
QFN-10 (1.4mmx1.8mm)		
EV5418A-G-00A ⁽⁴⁾	85	45 °C/W
JESD51-7 ⁽⁵⁾	140	30 °C/W

Notes:

- Exceeding these ratings may damage the device.
- The maximum allowable power dissipation is a function of the maximum junction temperature, T_J (MAX), the junction-to-ambient thermal resistance, θ_{JA} , and the ambient temperature, T_A . The maximum allowable continuous power dissipation at any ambient temperature is calculated by P_D (MAX) = $(T_J$ (MAX) - T_A) / θ_{JA} . Exceeding the maximum allowable power dissipation will cause excessive die temperature, and the regulator will go into thermal shutdown. Internal thermal shutdown circuitry protects the device from permanent damage.
- The device is not guaranteed to function outside of its operating conditions.
- Measured on EV5418A-G-00A, 2-layer, 1OZ, 63mmx63mm PCB.
- The value of θ_{JA} given in this table is only valid for comparison with other packages and cannot be used for design purposes. These values were calculated in accordance with JESD51-7, and simulated on a specified JEDEC board. They do not represent the performance obtained in an actual application.

ELECTRICAL CHARACTERISTICS

$V_{IN} = 3.3V$, $T_J = -40^{\circ}C$ to $+125^{\circ}C$ ⁽⁶⁾, typical value is tested at $T_J = 25^{\circ}C$. The over-temperature limit is guaranteed by characterization, unless otherwise noted.

Parameter	Symbol	Condition	Min	Typ	Max	Units
V_{IN} Range			2.3		5	V
Under-voltage lockout rising threshold				2.2	2.3	V
Under-voltage lockout hysteresis threshold			100	180	260	mV
Shutdown supply current		$V_{EN} = 0V$		1.5	3	μA
Quiescent supply current		$V_{EN} = 2V$, no load, $T_J = 25^{\circ}C$	650	960	1270	μA
		$V_{EN} = 2V$, no load, $T_J = -40^{\circ}C$ to $+125^{\circ}C$	600	960	1320	μA
Charge pump frequency		Detect V_{IN} and V_{OUT1} , $T_J = 25^{\circ}C$	320	455	590	kHz
		Detect V_{IN} and V_{OUT1} , $T_J = -40^{\circ}C$ to $+125^{\circ}C$	250		590	kHz
Charge pump MOSFET on resistance	R_{ON}			0.24		Ω
Charge pump current limit			0.6	1		A
Negative Linear Regulator						
Load current limit ⁽⁷⁾		$V_{IN} = 3.3V$, $V_{OUT2} = -2.5V$		200	250	mA
Output accuracy		Compared with CTL voltage, $T_J = 25^{\circ}C$, $I_{OUT2} = 10mA$	-1		1	%
		Over temp, $I_{OUT2} = 10mA$	-2		2	%
Output offset		$I_{OUT2} = 10mA$, $T_J = 25^{\circ}C$	-20		20	mV
Dropout voltage	V_{DROP}	$V_{IN} = 2.5V$, $I_{OUT2} = 60mA$	30		90	mV
		$V_{IN} = 3.3V$, $I_{OUT2} = 60mA$	20		80	mV
Load regulation ⁽⁷⁾		$V_{OUT1} = -3.3V$, CTL = 1V		0.005	0.01	%/mA
PSRR ⁽⁷⁾		100Hz, $C_{OUT1} = 100pF$, $C_{OUT2} = 1\mu F$, $I_{OUT2} = 10mA$		60		dB
		50kHz, $C_{OUT1} = 100pF$, $C_{OUT2} = 1\mu F$, $I_{OUT2} = 10mA$		50		
		300kHz, $C_{OUT1} = 100pF$, $C_{OUT2} = 1\mu F$, $I_{OUT2} = 10mA$		40		
Soft-start slew rate				5		V/ms
EN turn-on delay			135		285	μs
EN input logic low voltage					0.4	V
EN input logic high voltage			1.2			V
Output discharge resistor	R_{DIS1}	$V_{EN} = 0V$, V_{OUT1} rail	170		310	Ω
	R_{DIS2}	$V_{EN} = 0V$, V_{OUT2} rail	80		146	Ω
EN input current		$V_{EN} = 2V$	1.4	1.8	2.2	μA
		$V_{EN} = 0V$		0		μA
Thermal shutdown ⁽⁷⁾				160		$^{\circ}C$

ELECTRICAL CHARACTERISTICS *(continued)*

$V_{IN} = 3.3V$, $T_J = -40^{\circ}C$ to $+125^{\circ}C$ ⁽⁶⁾, typical value is tested at $T_J = 25^{\circ}C$. The over-temperature limit is guaranteed by characterization, unless otherwise noted.

Parameter	Symbol	Condition	Min	Typ	Max	Units
Thermal hysteresis ⁽⁷⁾				30		$^{\circ}C$
System Level ⁽⁷⁾						
Recommended input capacitance	C_{IN}	$V_{IN} = 3.3V$		4.7		μF
Recommended fly capacitor	C_{FLY}			4.7		μF
Recommended V_{OUT1} capacitor				4.7		μF
Recommended V_{OUT2} capacitor				4.7		μF
V_{OUT1} voltage				-1x		V_{IN}
Output ripple	V_{RIPPLE_OUT1}	$V_{IN} = 3.3V$, $V_{OUT1} = -3.3V$, $C_{FLY} = C_{OUT1} = 4.7\mu F$, $I_{OUT1} = 60mA$		50		mV
	V_{RIPPLE_OUT2}	$V_{IN} = 3.3V$, $V_{OUT2} = 2.5V$, $C_{OUT2} = 1\mu F$, $I_{OUT2} = 60mA$		1		mV

Notes:

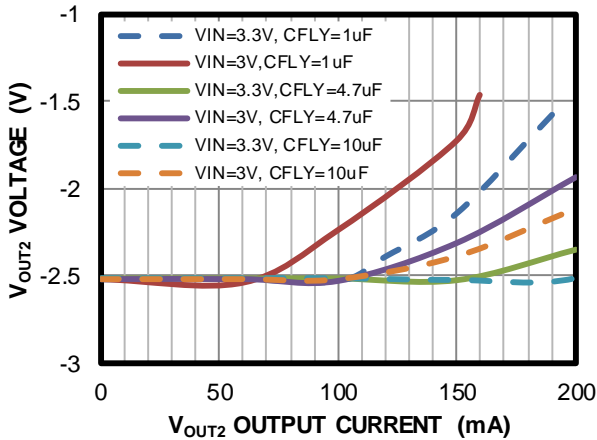
- 6) Guaranteed by over-temperature correlation. Not tested in production.
 7) Guaranteed by engineering sample characterization.

TYPICAL PERFORMANCE CHARACTERISTICS

$V_{IN} = 3.3V$, $V_{OUT1} = -3.3V$, $V_{OUT2} = -1V$, $C_{IN} = C_{FLY} = C_{OUT1} = C_{OUT2} = 4.7\mu F$, $T_A = 25^\circ C$, unless otherwise noted.

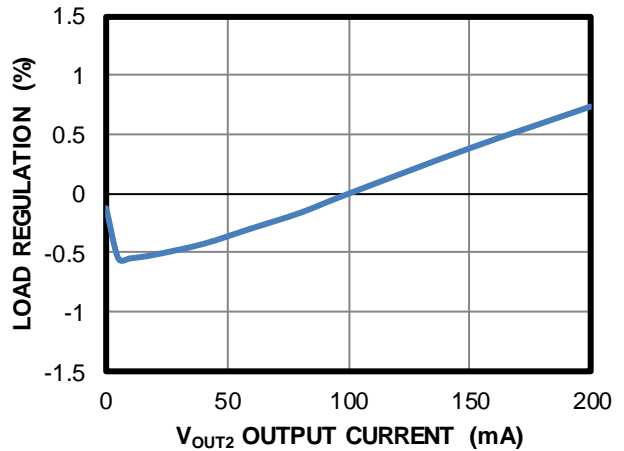
Load Capability

CTL = 2.5V

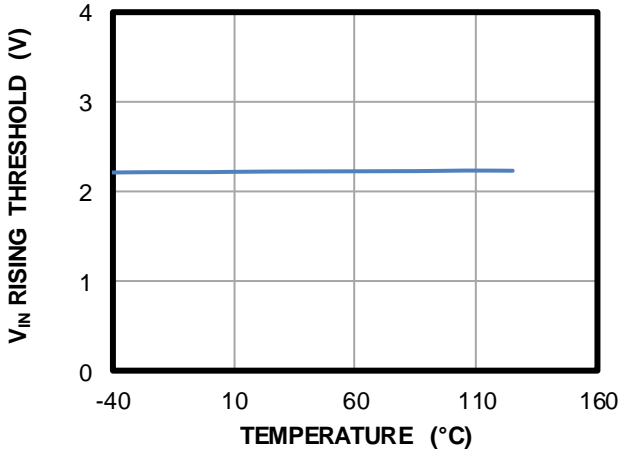


Negative Linear Regulator Load Regulation

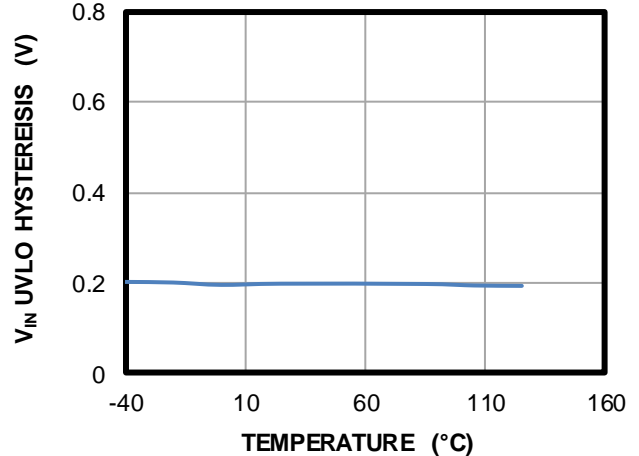
$V_{IN} = 3.3V$, CTL = 1V



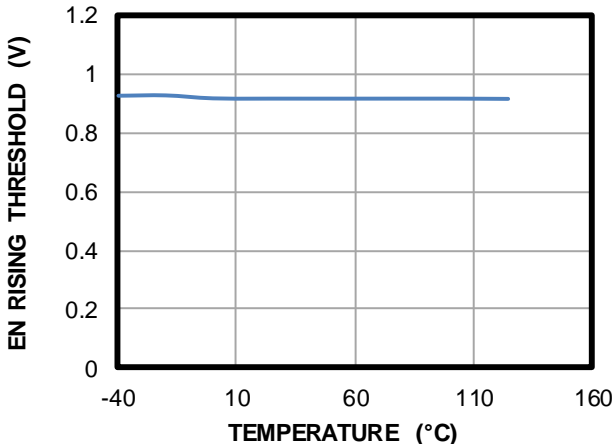
V_{IN} Rising Threshold vs. Temperature



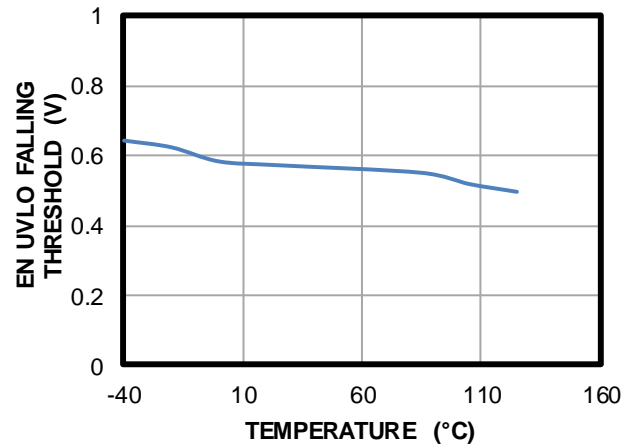
V_{IN} UVLO Hysteresis vs. Temperature



EN Rising Threshold vs. Temperature



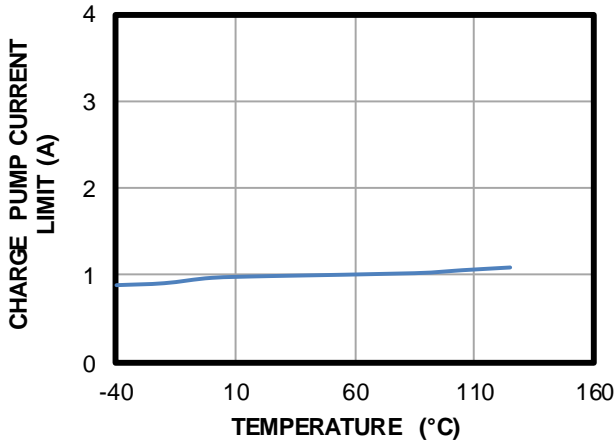
EN UVLO Falling Threshold vs. Temperature



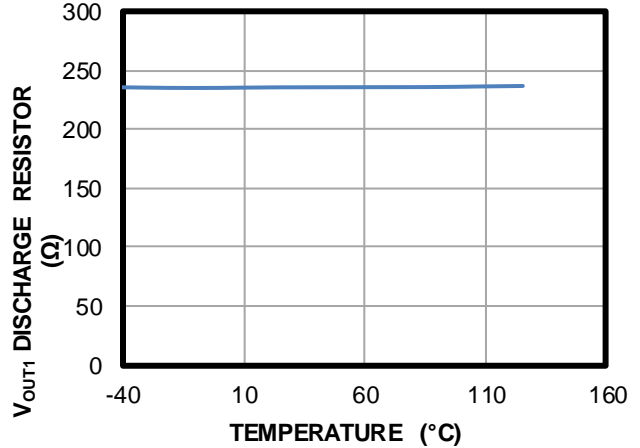
TYPICAL PERFORMANCE CHARACTERISTICS (continued)

$V_{IN} = 3.3V$, $V_{OUT1} = -3.3V$, $V_{OUT2} = -1V$, $C_{IN} = C_{FLY} = C_{OUT1} = C_{OUT2} = 4.7\mu F$, $T_A = 25^\circ C$, unless otherwise noted.

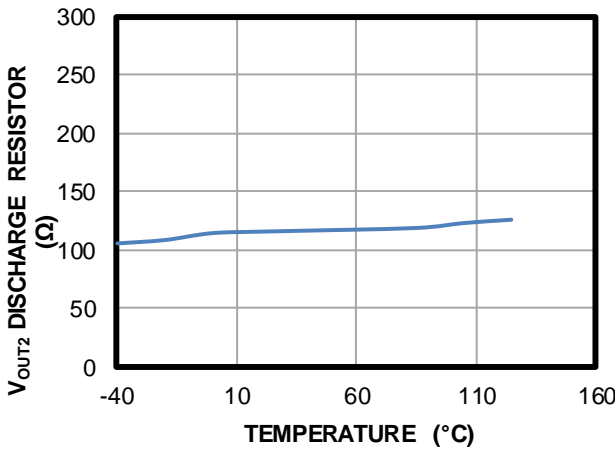
Charge Pump Current Limit vs. Temperature



V_{OUT1} Discharge Resistor vs. Temperature

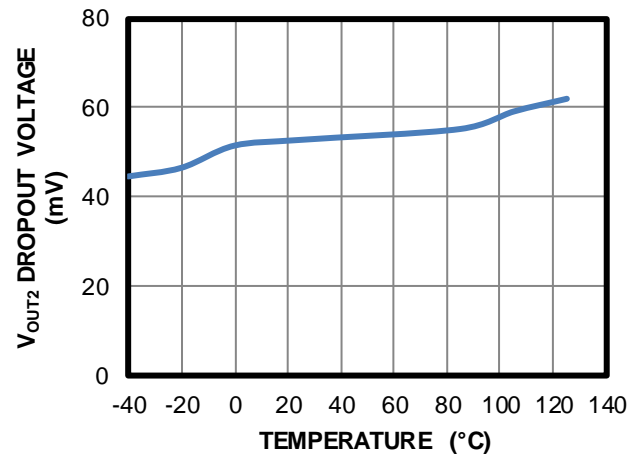


V_{OUT2} Discharge Resistor vs. Temperature



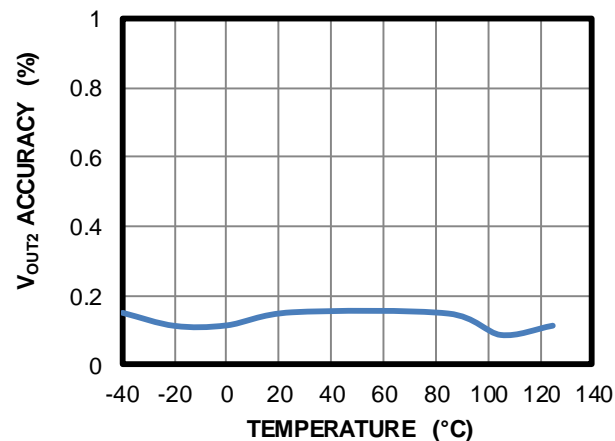
V_{OUT2} Dropout Voltage vs. Temperature

$V_{OUT1} = 3.3V$, $CTL = 3.3V$, $I_{OUT2} = 60mA$



V_{OUT2} Accuracy vs. Temperature

$V_{OUT1} = 3.3V$, $CTL = 3.3V$, $I_{OUT2} = 10mA$

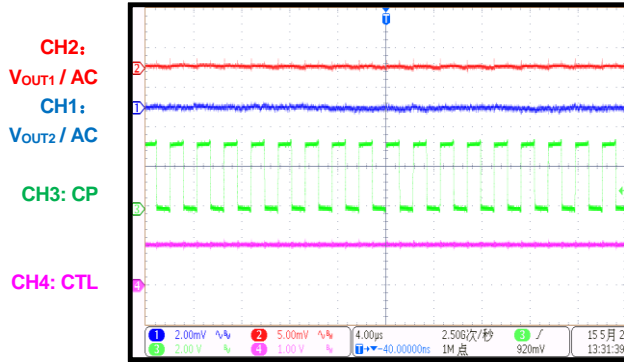


TYPICAL PERFORMANCE CHARACTERISTICS (continued)

$V_{IN} = 3.3V$, $V_{OUT1} = -3.3V$, $V_{OUT2} = -1V$, $C_{IN} = C_{FLY} = C_{OUT1} = C_{OUT2} = 4.7\mu F$, $T_A = 25^\circ C$, unless otherwise noted.

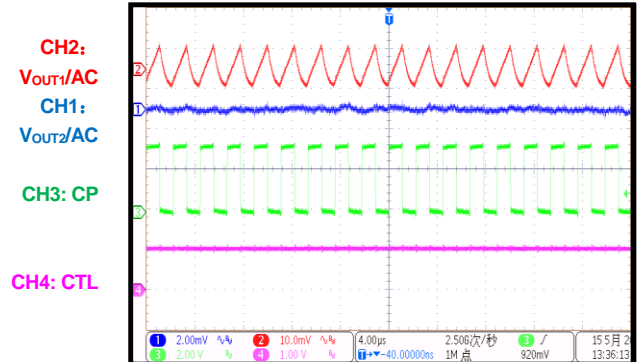
Steady State

$I_{OUT1} = 0A$, $I_{OUT2} = 0A$



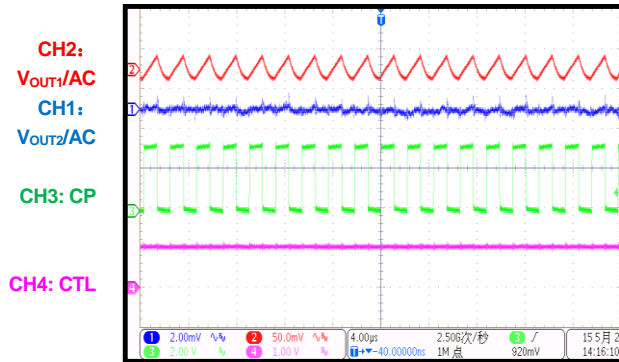
Steady State

$I_{OUT1} = 0A$, $I_{OUT2} = 20mA$



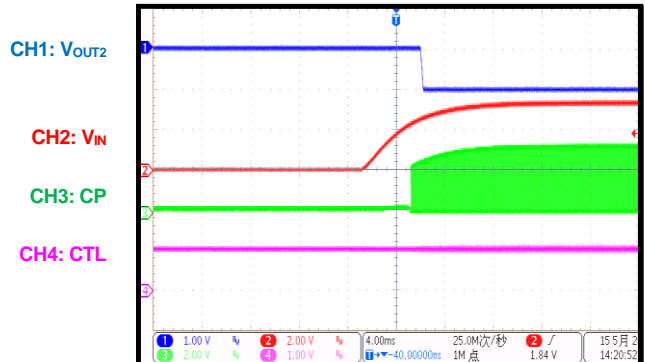
Steady State

$I_{OUT1} = 0A$, $I_{OUT2} = 60mA$



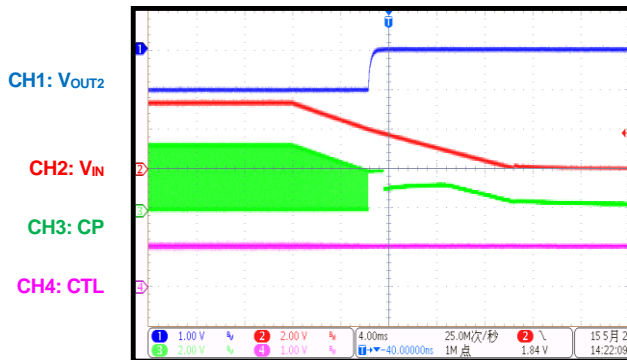
VIN On

$I_{OUT1} = 0A$, $I_{OUT2} = 20mA$



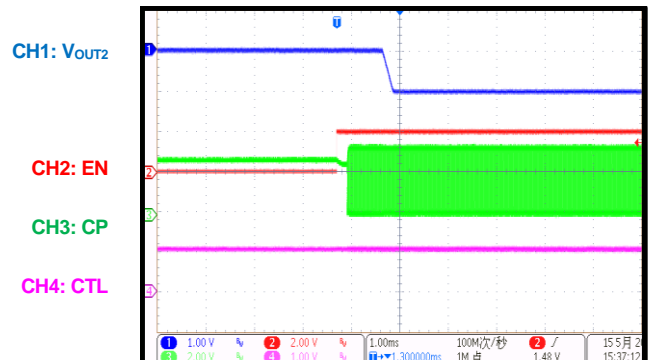
VIN Off

$I_{OUT1} = 0A$, $I_{OUT2} = 20mA$



EN On

$I_{OUT1} = 0A$, $I_{OUT2} = 20mA$

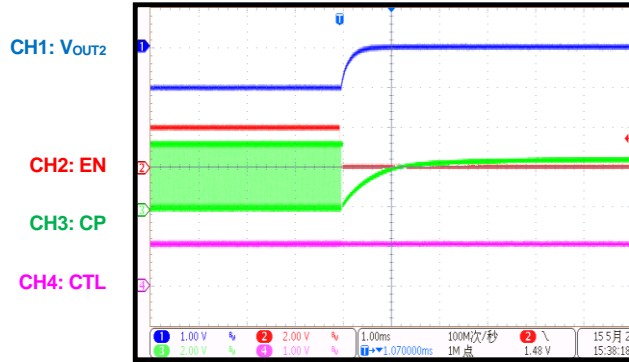


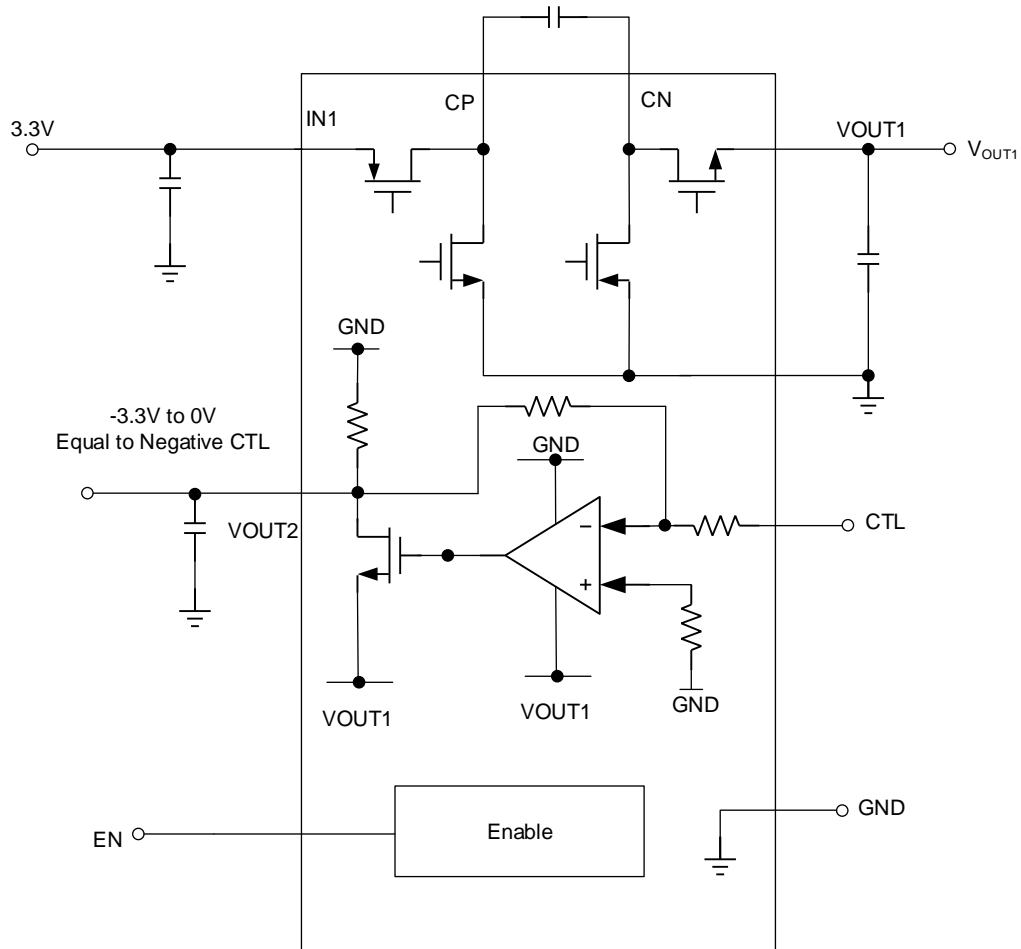
TYPICAL PERFORMANCE CHARACTERISTICS (continued)

$V_{IN} = 3.3V$, $V_{OUT1} = -3.3V$, $V_{OUT2} = -1V$, $C_{IN} = C_{FLY} = C_{OUT1} = C_{OUT2} = 4.7\mu F$, $T_A = 25^\circ C$, unless otherwise noted.

EN Off

$I_{OUT1} = 0A$, $I_{OUT2} = 20mA$



FUNCTIONAL BLOCK DIAGRAM

Figure 1: Functional Block Diagram

OPERATION

The MP5418A is a monolithic negative charge pump with a built-in adjustable negative regulator. It has a 2.3V to 5V, input range and can provide an unregulated output that is equal to the negative input voltage. The MP5418A also offers a regulated output between the negative input voltage and 0V.

For simplicity, the MP5418A does not require an external inductor. The internal soft-start circuit effectively reduces the inrush current during start-up.

Negative Charge Pump

The MP5418A uses a switched capacitor charge pump to achieve an unregulated negative voltage. The absolute value of this voltage is the input voltage (V_{IN}). The switching signal drives the charge pump, and is created by an integrated oscillator within the control circuit block. The oscillator charge pump switching frequency is 455kHz.

When the absolute value of V_{OUT1} is below 1V, the charge pump triggers an over-current condition. The MP5418A forces the oscillator frequency to 45kHz for foldback.

There is a diode between the V_{OUT1} and GND pins. When the V_{OUT1} voltage (V_{OUT1}) exceeds 0.3V, the diode discharges V_{OUT1} .

Negative Linear Regulator

The negative linear regulator receives power from the negative charge pump output. The regulator provides a low dropout voltage, quiescent supply, and low output noise. Its output ranges from 0V to V_{OUT1} .

The regulator uses an internal feedback loop to control the output voltage, which equals to -1x the CTL pin voltage. This is an easy interface for DAC. Through a high precise DAC, its output voltage can be set by the external signal.

The PSRR of the negative linear regulator is specifically designed for its charge pump. The regulator has a low output ripple.

Load Capability

The MP5418A's load capability is 200mA. This means the sum of I_{OUT1} and I_{OUT2} remains below 200mA. The load capability is related to the fly

capacitor and output capacitor. A smaller capacitance results in a smaller load capability.

Over-Current Protection (OCP)

The charge pump current is limited internally. The peak charge pump input current is limited to 1A, and the device also provides protections against overload and over-temperature (OT) conditions.

Over-Temperature Protection (OTP)

When the junction temperature exceeds 160°C, the thermal sensor sends a signal to the control logic, and the IC shuts down. The IC restarts once the temperature drops by about 30°C.

Enable (EN)

When the input voltage exceeds the under-voltage lockout (UVLO) threshold (typically 2.2V), the device can be enabled by pulling the EN pin above 1.2V. To disable the device, float EN or pull it to ground. There is an internal 1MΩ resistor between the EN and GND pins.

When the device is disabled, the part automatically goes into output discharge mode. The internal discharge MOSFET provides a resistive discharge path for the output capacitor.

Equivalent Output Resistance

The equivalent output resistance (R_O) is related to the fly capacitance (C_{FLY}) and charge pump frequency (f). R_O can be calculated with Equation (1):

$$R_O = \frac{1}{f \times C_{FLY}} + 8 \times R_{ON} \quad (1)$$

Where R_{ON} is the on resistance of each switching MOSFET in the charge pump.

The output $OUT1$ voltage (V_{OUT1}) is related to I_O and R_O . V_{OUT1} can be estimated with Equation (2):

$$V_{OUT1} = -(V_{IN} - I_O \times R_O) \quad (2)$$

Soft Start (SS)

The MP5418A has an internal soft start (SS) pin that ramps up the output voltage at a controlled slew rate to avoid overshoot at start-up. The soft-start slew rate is internally set to 5V/ms.

APPLICATION INFORMATION

COMPONENT SELECTION

Selecting the Output Capacitor

The output capacitors (C_{OUT1} and C_{OUT2}) stabilize the DC output voltage. It is recommended to use ceramic X5R or X7R capacitors for the best performance. C_{OUT1} should be $1\mu\text{F}$, while C_{OUT2} can be between $1\mu\text{F}$ and $10\mu\text{F}$. A larger C_{OUT2} value improves load transient response and reduces noise.

Other dielectric output capacitors can be used, but they are not recommended, as their capacitance can deviate greatly from their rated value under an over-temperature condition. The characteristics of the output capacitor affect the stability of the regulation system.

Selecting the Input Capacitor

For proper operation, place a $1\mu\text{F}$ to $10\mu\text{F}$ ceramic capacitor (C_{IN}) with X5R or X7R dielectrics between the IN and GND pins. A larger-value C_{IN} improves the line transient response.

Selecting the Fly Capacitor

The fly capacitor can affect the output resistance and OUT1 voltage. Therefore, if the output current is higher, the larger fly capacitor is recommended. The fly capacitor is also recommended to close C_{IN} and C_{OUT1} . To use the same capacitor for C_{IN} , C_{OUT1} , and C_{FLY} is better.

Setting the Output Voltage

The linear regulator follows the CTL voltage. The output value is regulated to $-1\times$ the CTL voltage. The CTL pin is an analog input, and can be directly connected to the DAC output. Figure 2 shows the application circuit.

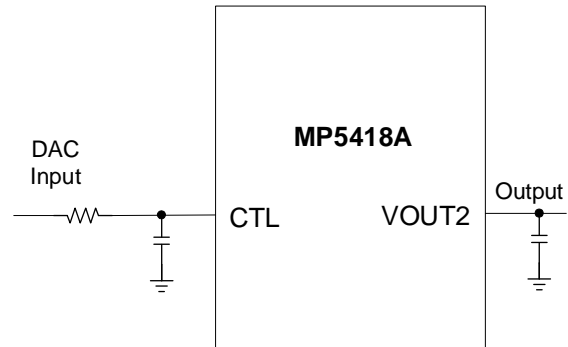


Figure 2: Output Voltage Setting

Design Example

Table 1 provides a design example based on the application guidelines.

Table 1: Design Example

V_{IN}	+3.3V
V_{OUT1}	-3.3V
V_{CTL}	+1V
V_{OUT2}	-1V

For a detailed application schematic, see the Typical Application Circuit section on page 15. For the typical performance and circuit waveforms, see the Typical Performance Characteristics section on page 6. For more device applications, refer to the related evaluation board datasheet.

PCB Layout Guidelines

PCB layout is critical for good regulation, ripple rejection, transient response, and thermal performance. It is highly recommended to duplicate the EVB layout for optimal performance. For the best results, refer to Figure 3 and follow the guidelines below:

1. Place the high-current paths (GND, IN, CP, and CN) very close to the device with short, direct, and wide traces.
2. Place the input capacitor as close as possible to the IN and GND pins.
3. Place the output capacitor at the GND pin, close the chip GND pins.

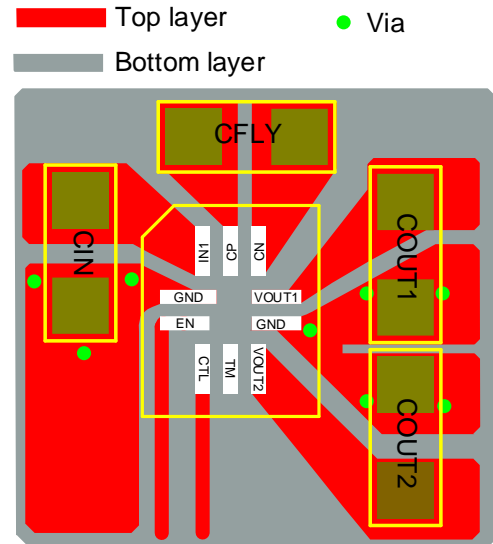


Figure 3: Recommended PCB Layout

TYPICAL APPLICATION CIRCUIT

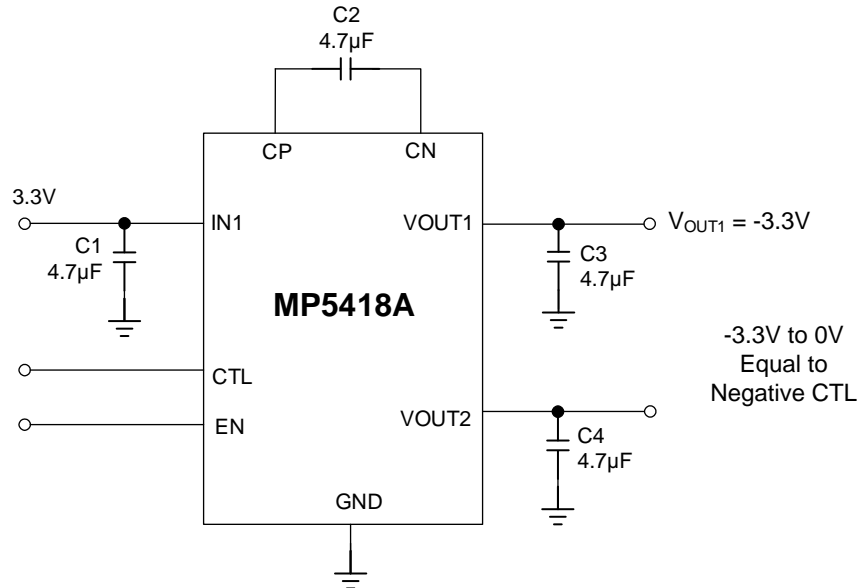
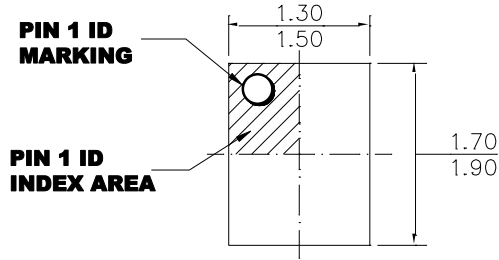


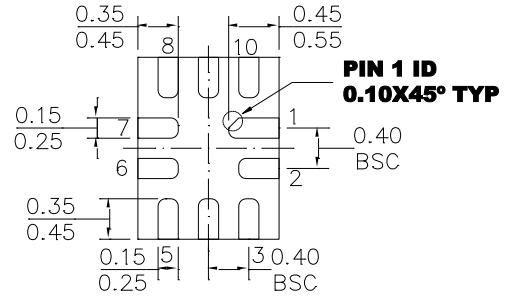
Figure 4: Typical Application Circuit

PACKAGE INFORMATION

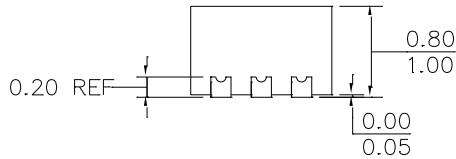
QFN-10 (1.4mmx1.8mm)



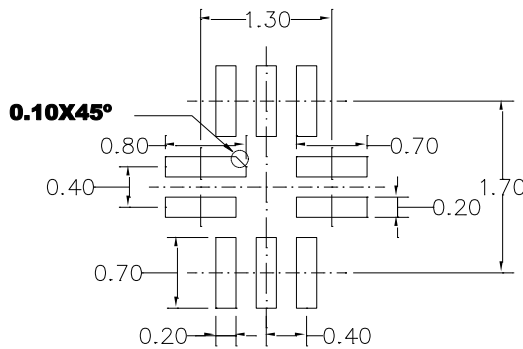
TOP VIEW



BOTTOM VIEW



SIDE VIEW

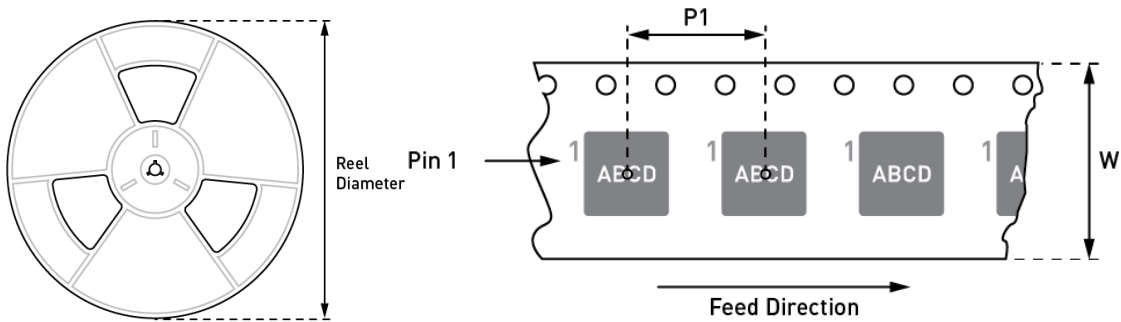


RECOMMENDED LAND PATTERN

NOTE:

- 1) ALL DIMENSIONS ARE IN MILLIMETERS.
- 2) LEAD COPLANARITY SHALL BE 0.08 MILLIMETERS MAX.
- 3) JEDEC REFERENCE IS MO-220.
- 4) DRAWING IS NOT TO SCALE.

CARRIER INFORMATION



Part Number	Package Description	Quantity/ Reel	Quantity/ Tube	Reel Diameter	Carrier Tape Width	Carrier Tape Pitch
MP5418AGQG-Z	QFN-10 (1.4mmx1.8mm)	5000	N/A	13in	12mm	4mm

Notice: The information in this document is subject to change without notice. Users should warrant and guarantee that third-party Intellectual Property rights are not infringed upon when integrating MPS products into any application. MPS will not assume any legal responsibility for any said applications.