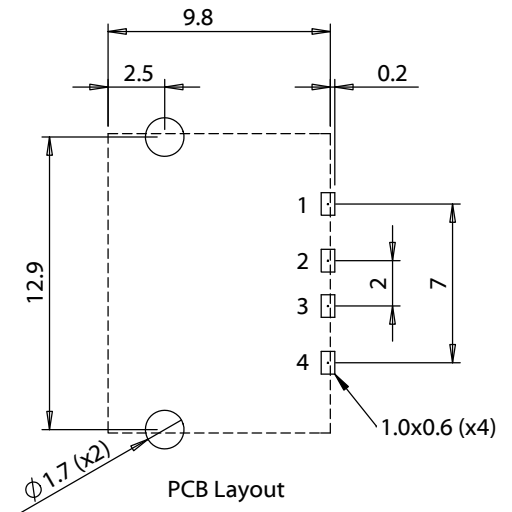
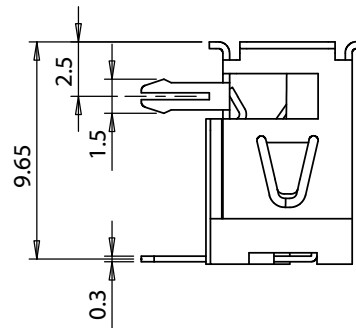
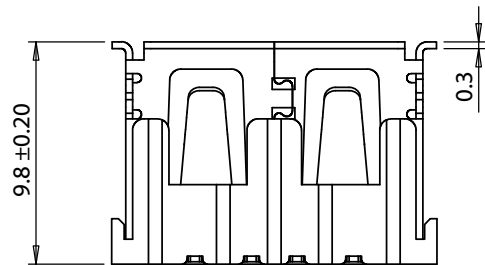
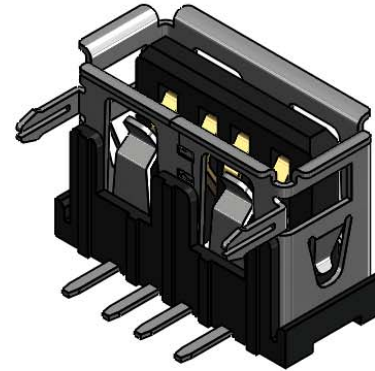
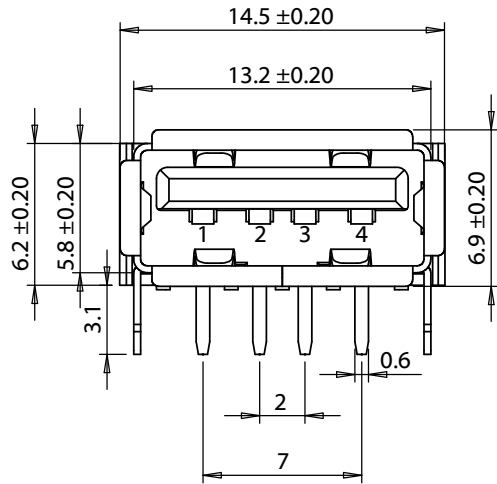



USB A jack 90° PCB mount



Revision:	Date:	Description:	Prepared:	Notes:	TENSILITY tel 1.541.323.3228 800 877.670.7118 fax 1.541.323.4202 web tensility.com	
A	09/28/2015	Initial release	Verified:	RoHS and REACH compliant		
A1	07/30/2018	Corrected operating temp range	Dimensions are in millimeters. Tolerances: X: ± 0.5 mm X.X: ± 0.3 mm X.XX: ± 0.05 mm	Function test: no open, no short circuit, no intermittent	Size: Part number:	
				Description:	Connector, USB A Jack, PCB mount, 90°, nickel shell, ground terminals, black insulator, tray	A 54-00015
						Scale: 3:1  Sheet 1 of 2

5

↑

4

3

2

1

