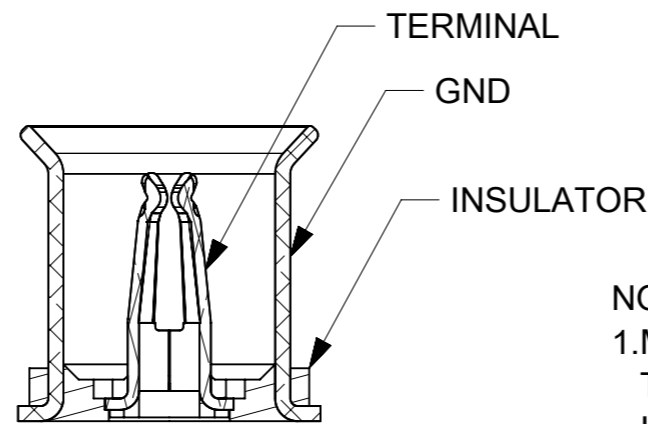
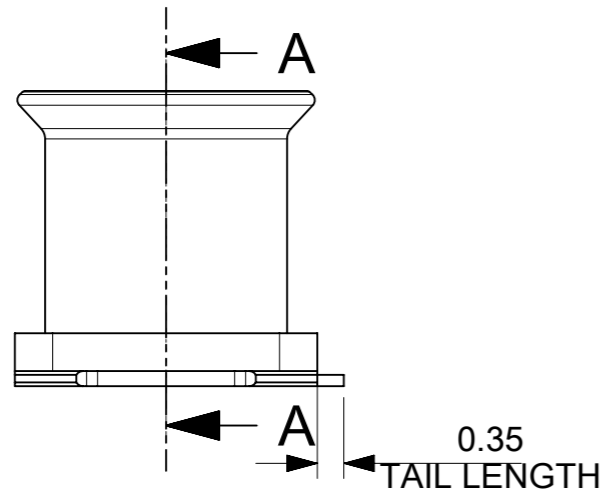
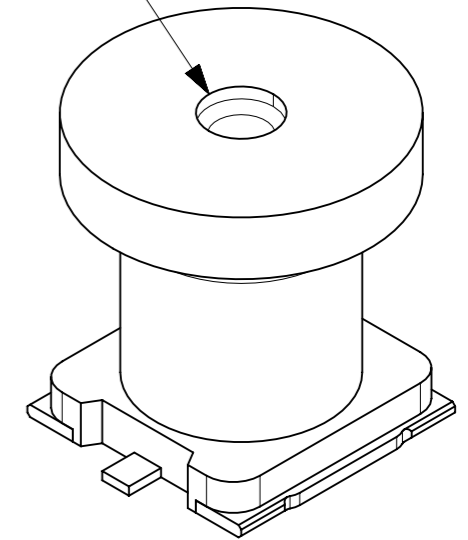


ⓑ PICKING & PLACE CAP



SECTION A-A

NOTES:

1.MATERIAL

- TERMINAL: COPPER ALLOY
- INSULATOR: HIGH TEMPERATURE THERMAL PLASTIC, UL94V-0, BLACK
- GND: COPPER ALLOY
- CAP: HIGH TEMPERATURE THERMAL PLASTIC, UL94V-0, BLACK

2.PLATING

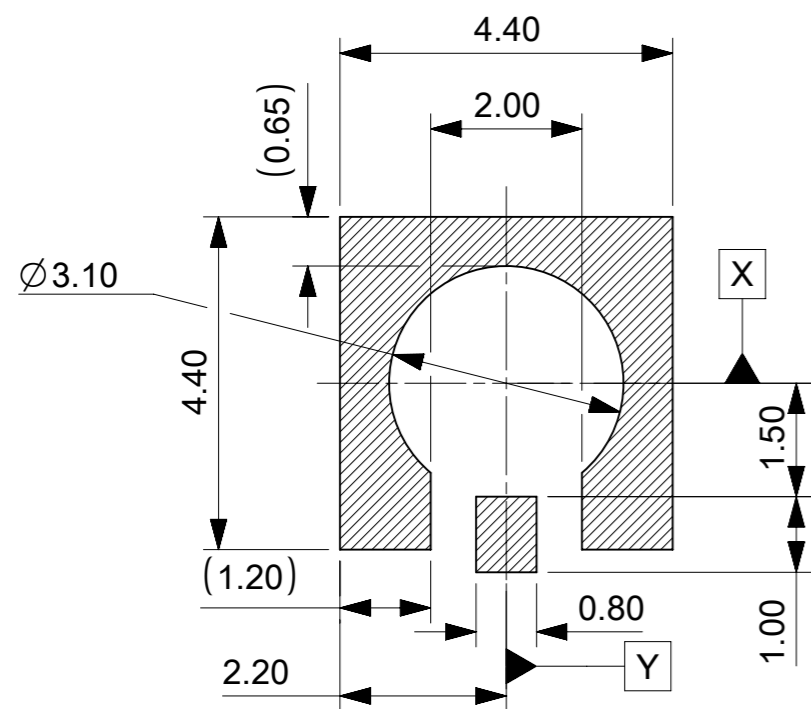
- TERMINAL: GOLD
- UNDER PLATING: NICKEL
- GND: TAB: FLASH GOLD
- UNDER PLATING: NICKEL

3.MATE WITH: 2087931005

4.PRODUCT SPECIFICATION: 2087930000

5.PACKAGING SPECIFICATION: 2087949005

ⓑ 6.MATERIAL FILLED IN



RECOMMENDED P.C BOARD PATTERN LAYOUT (REFERENCE)

GENERAL TOLERANCE FOR PCB: ±0.05

RECOMMENDED STENCIL: 0.1MM

THIS DRAWING CONTAINS INFORMATION THAT IS PROPRIETARY TO MOLEX ELECTRONIC TECHNOLOGIES, LLC AND SHOULD NOT BE USED WITHOUT WRITTEN PERMISSION		CURRENT REV DESC:		<b>molex</b>	
DIMENSION UNITS	SCALE				
mm	1:1			AEC CAMERA IO JACK CONN	
GENERAL TOLERANCES (UNLESS SPECIFIED)				PRODUCT CUSTOMER DRAWING	
ANGULAR TOL	± 2.0°	EC NO: 645145		DOCUMENT NUMBER	
4 PLACES	±	DRWN: ASHEN03	2020/09/07	2087941005	
3 PLACES	±	CHK'D: AYIN	2020/09/28	DOC TYPE	DOC PART
2 PLACES	± 0.2	APPR: AYIN	2020/09/28	PSD	000
1 PLACE	± 0.3	INITIAL REVISION:		REVISION	
0 PLACES	±	DRWN: ASHEN03	2020/01/16	B	
DRAFT WHERE APPLICABLE MUST REMAIN WITHIN DIMENSIONS		APPR: AYIN	2020/03/18		
THIRD ANGLE PROJECTION		DRAWING	SERIES	MATERIAL NUMBER	CUSTOMER
		A3-SIZE	208794		
		SHEET NUMBER		1 OF 1	