

MATERIALS AND FINISHES:

SMP PLUG:
SEE SD-73415-416

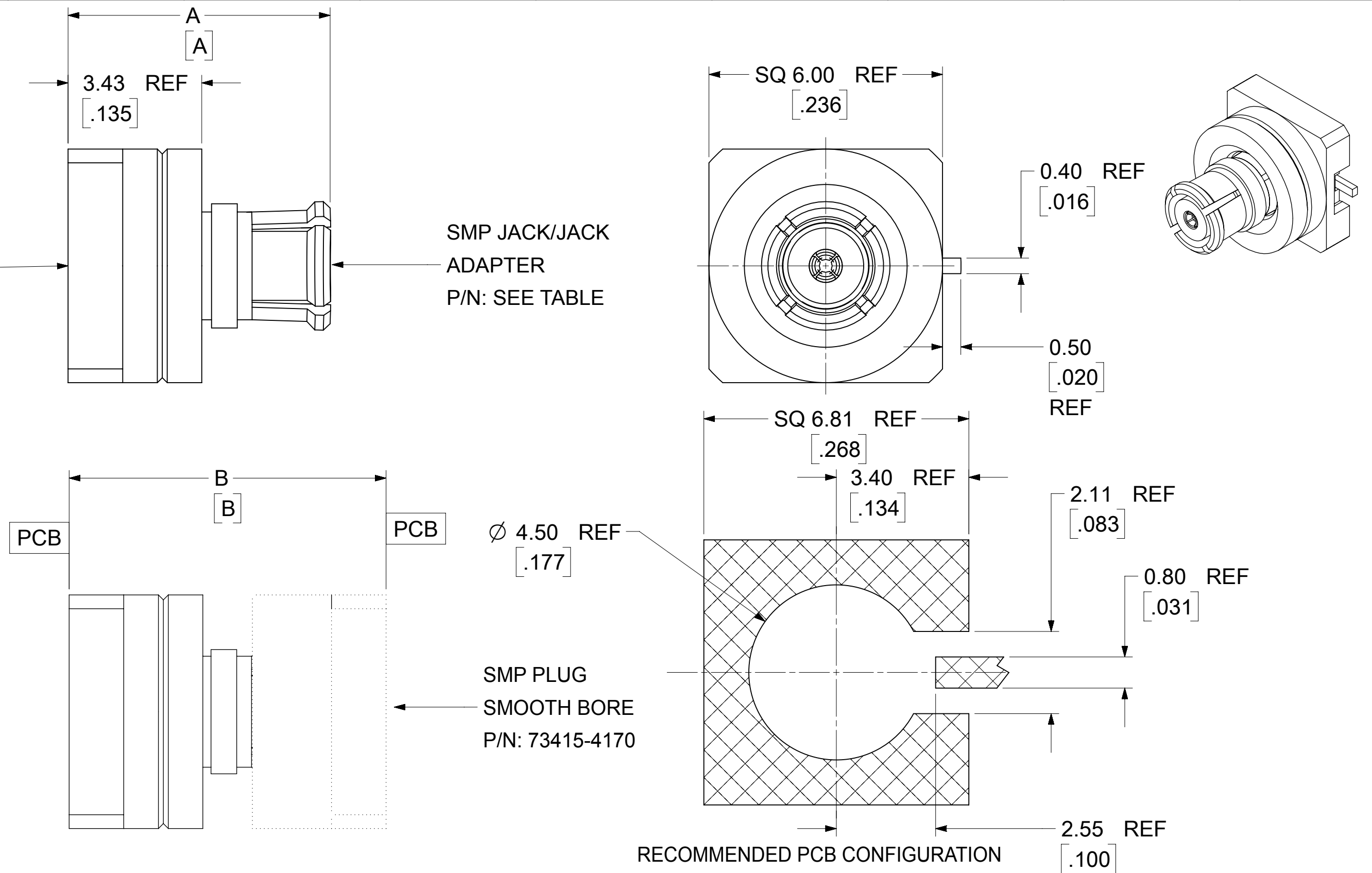
SMP JACK/JACK ADAPTER:
SEE SD-73415-418

KAPTON: POLYIMIDE
COLOR: BLACK

SMP PLUG
FULL DETENT
P/N: 73415-4160

SMP JACK/JACK
ADAPTER
P/N: SEE TABLE

SMP PLUG
SMOOTH BORE
P/N: 73415-4170

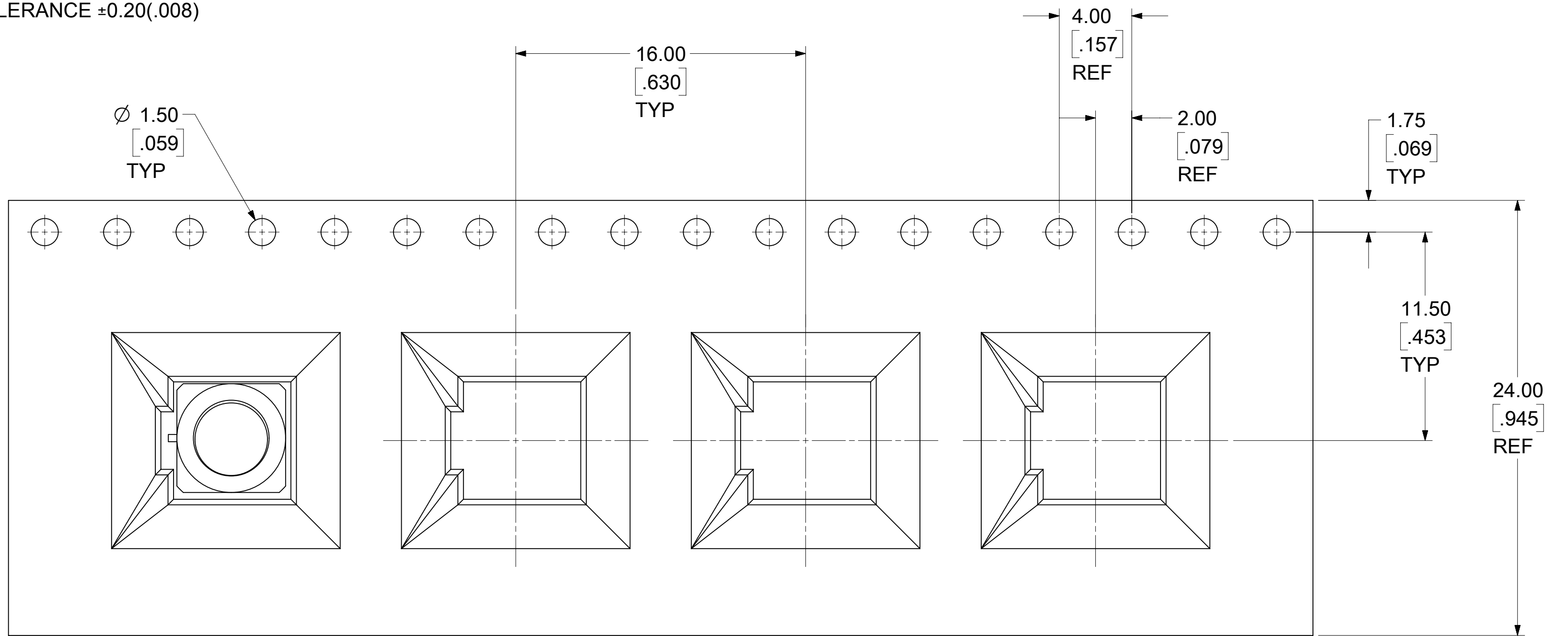


73415-4218	73415-4185	.281±.005	7.14±0.13	.332±.008	8.43±0.20	-4214 ONE PER BAG	895420470
73415-4217	73415-4184	.306±.006	7.77±0.15	.357±.009	9.07±0.23	-4213 ONE PER BAG	895420470
73415-4216	73415-4180	.219±.005	5.56±0.13	.270±.008	6.86±0.20	-4211 ONE PER BAG	895420470
73415-4215	73415-4181	.265±.005	6.73±0.13	.316±.008	8.03±0.20	-4210 ONE PER BAG	895420470
73415-4214	73415-4185	.281±.005	7.14±0.13	.332±.008	8.43±0.20	-4214 WITH TAPE & REEL WITH KAPTON	-----
73415-4213	73415-4184	.306±.006	7.77±0.15	.357±.009	9.07±0.23	-4213 WITH TAPE & REEL WITH KAPTON	-----
73415-4212	73415-4181	.265±.005	6.73±0.13	.316±.008	8.03±0.20	-4210 WITH TAPE & REEL WITH KAPTON	-----
73415-4211	73415-4180	.219±.005	5.56±0.13	.270±.008	6.86±0.20	-4211 WITH TRAY	895420040
73415-4210	73415-4181	.265±.005	6.73±0.13	.316±.008	8.03±0.20	-4210 WITH TRAY	895420040
PART NO.	SMP JACK/JACK	IN	MM	IN	MM	PACKAGING	PACKING SPEC
		DIM A		DIM B			

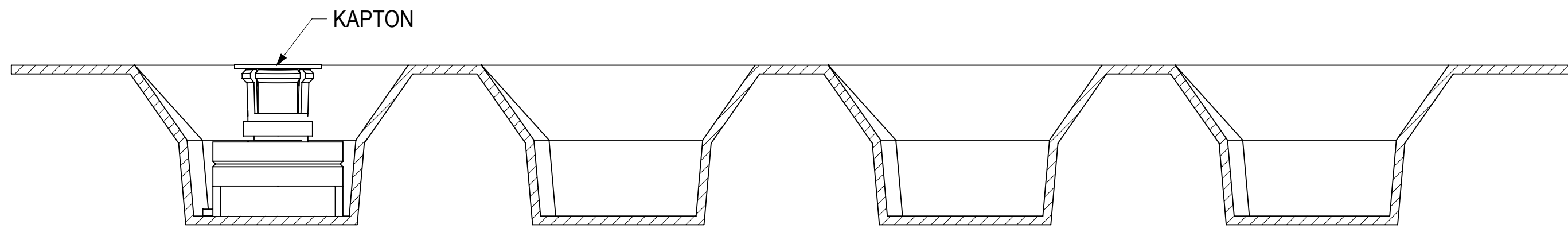
FUNCTIONAL SYMBOLS $\frac{F}{A} = 0$ $\frac{F}{C} = 0$ $\frac{F}{P} = 0$ #####	THIS DRAWING CONTAINS INFORMATION THAT IS PROPRIETARY TO MOLEX ELECTRONIC TECHNOLOGIES, LLC AND SHOULD NOT BE USED WITHOUT WRITTEN PERMISSION		CURRENT REV DESC:																					
	DIMENSION UNITS: MM/IN SCALE: NTS		EWR # 15321-E ADDED -4215, -4216, -4217, -4218 PART NO																					
	GENERAL TOLERANCES (UNLESS SPECIFIED)		EC NO: 718007 DRWN: BSHAH 2020/01/02 CHK'D: YCHENG 2022/08/24 APPR: YCHENG 2022/08/24																					
	<table border="1"> <thead> <tr> <th></th> <th>MM</th> <th>INCH</th> </tr> </thead> <tbody> <tr> <td>4 PLACES</td> <td>±</td> <td>±</td> </tr> <tr> <td>3 PLACES</td> <td>±</td> <td>± 0.01</td> </tr> <tr> <td>2 PLACES</td> <td>± 0.25</td> <td>±</td> </tr> <tr> <td>1 PLACE</td> <td>±</td> <td>±</td> </tr> <tr> <td>0 PLACES</td> <td>±</td> <td>±</td> </tr> <tr> <td>ANGULAR TOL</td> <td colspan="2">± 0.5 °</td> </tr> </tbody> </table>			MM		INCH	4 PLACES	±	±	3 PLACES	±	± 0.01	2 PLACES	± 0.25	±	1 PLACE	±	±	0 PLACES	±	±	ANGULAR TOL	± 0.5 °	
	MM	INCH																						
4 PLACES	±	±																						
3 PLACES	±	± 0.01																						
2 PLACES	± 0.25	±																						
1 PLACE	±	±																						
0 PLACES	±	±																						
ANGULAR TOL	± 0.5 °																							
DRAFT WHERE APPLICABLE MUST REMAIN WITHIN DIMENSIONS		THIRD ANGLE PROJECTION	DRAWING: C-SIZE	SERIES: 73415	DOCUMENT NUMBER: SD-73415-421 DOC TYPE: PSD DOC PART: 001 REVISION: B6																			
MATERIAL NUMBER: SEE TABLE		CUSTOMER:		SHEET NUMBER: 1 OF 7																				

NOTE:

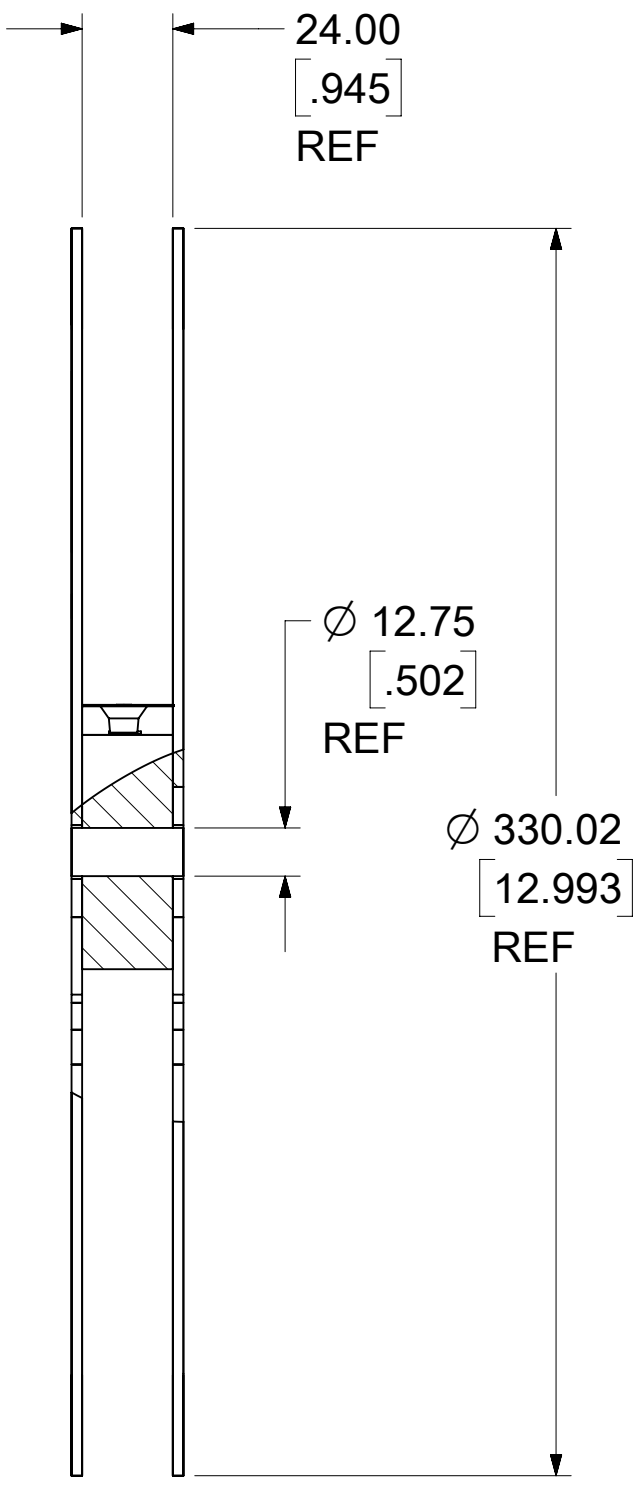
1. 10 PITCHES CUMULATIVE TOLERANCE ±0.20(.008)



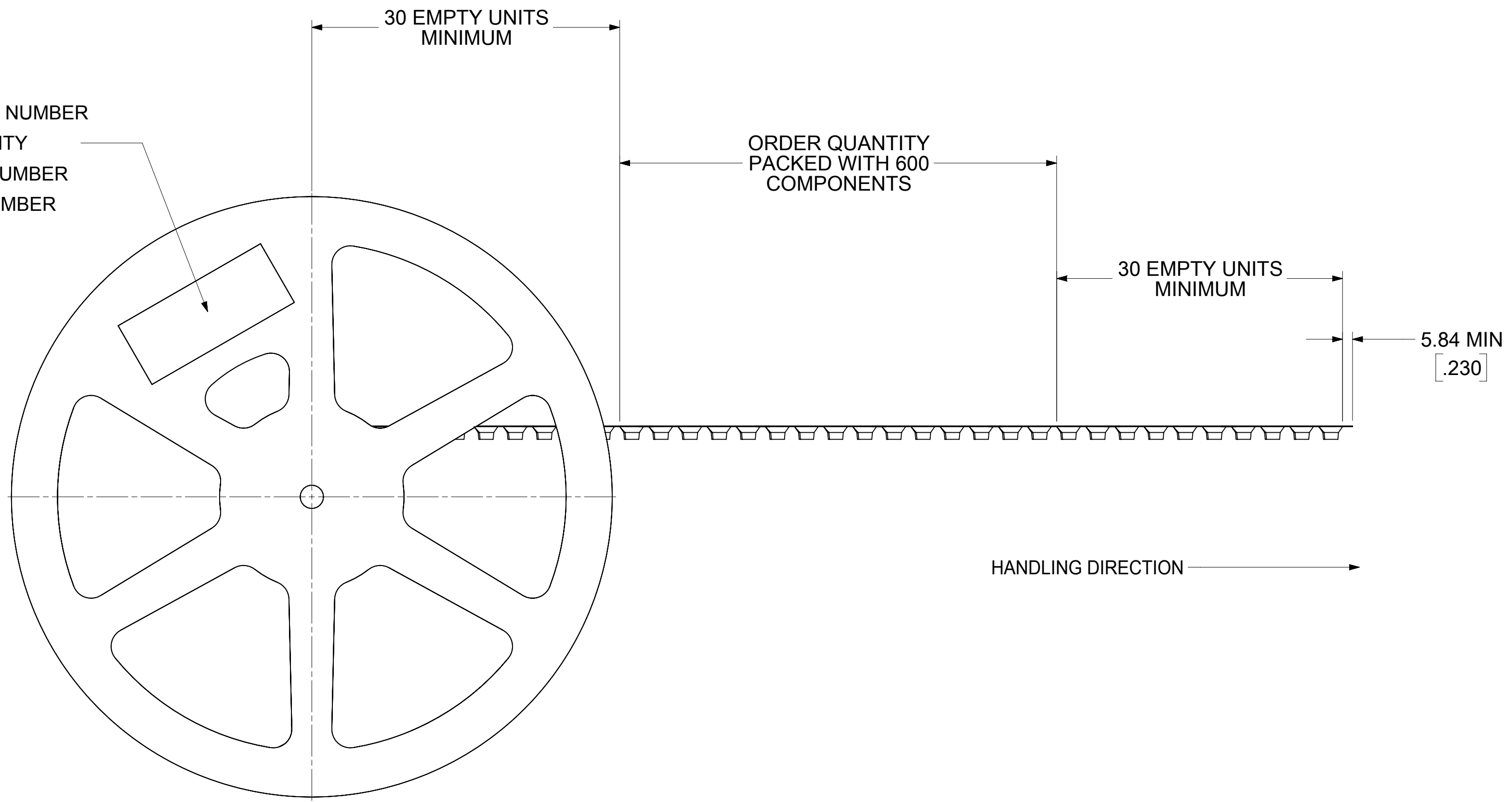
FOR 73415-4212 ONLY



FUNCTIONAL SYMBOLS	THIS DRAWING CONTAINS INFORMATION THAT IS PROPRIETARY TO MOLEX ELECTRONIC TECHNOLOGIES, LLC AND SHOULD NOT BE USED WITHOUT WRITTEN PERMISSION												
	DIMENSION UNITS		SCALE		CURRENT REV DESC:								
$\frac{F}{A} = 0$	MM/IN		NTS		EWR # 15321-E ADDED -4215, -4216, -4217, -4218 PART NO								
$\frac{F}{C} = 0$	GENERAL TOLERANCES (UNLESS SPECIFIED)												
$\frac{F}{P} = 0$			MM	INCH	EC NO: 718007						SMP ADAPTER ASSEMBLY 50? EWR-11818, SMP-P/J/PCB		
#####	4 PLACES	±			DRWN: BSHAH 2020/01/02								
	3 PLACES	±		± 0.01	CHK'D: YCHENG 2022/08/24						PRODUCT CUSTOMER DRAWING		
	2 PLACES	±	0.25		APPR: YCHENG 2022/08/24								
	1 PLACE	±			INITIAL REVISION:						DOCUMENT NUMBER SD-73415-421		
	0 PLACES	±			DRWN: AZR 2004/03/24								
	ANGULAR TOL		± 0.5 °		APPR: JDW 2004/03/24						DOC TYPE DOC PART REVISION PSD 001 B6		
DRAFT WHERE APPLICABLE MUST REMAIN WITHIN DIMENSIONS		THIRD ANGLE PROJECTION		DRAWING		SERIES		MATERIAL NUMBER		CUSTOMER		SHEET NUMBER	
				C-SIZE		73415		SEE TABLE				2 OF 7	



LABEL :
 -ORDER NUMBER
 -QUANTITY
 -PART NUMBER
 -LOT NUMBER

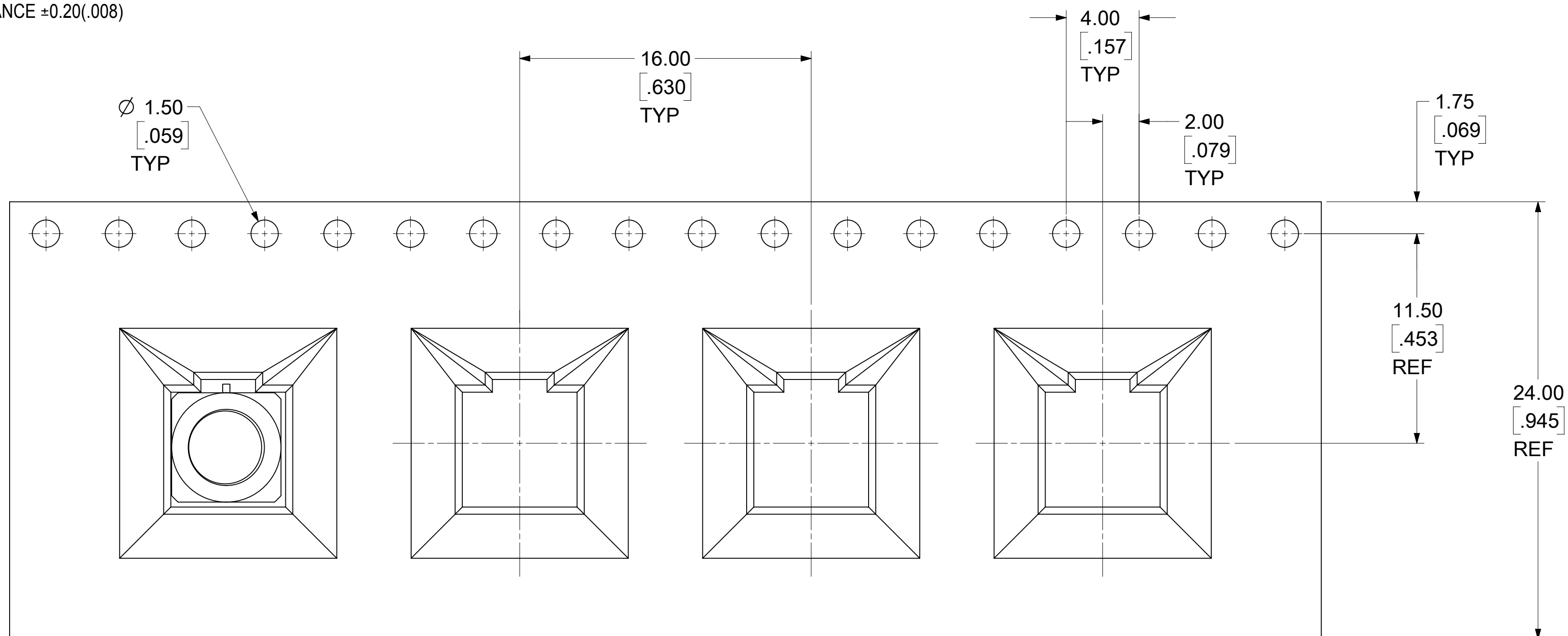


FOR 73415-4212 ONLY

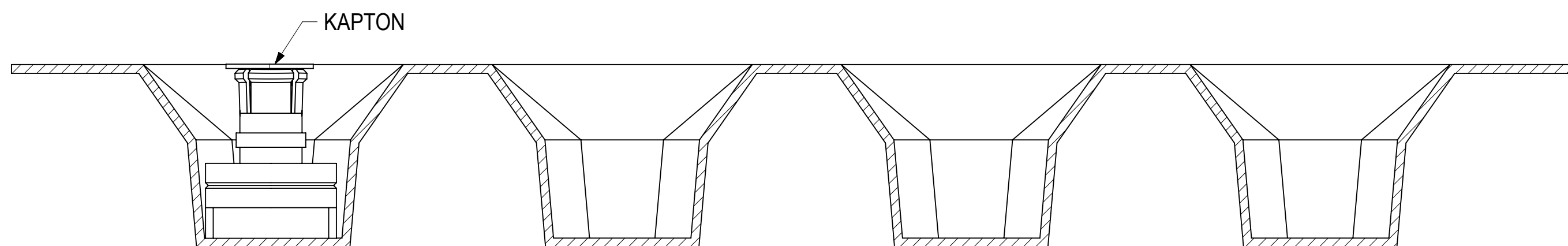
FUNCTIONAL SYMBOLS $\frac{F}{A} = 0$ $\frac{F}{C} = 0$ $\frac{F}{P} = 0$ #####	THIS DRAWING CONTAINS INFORMATION THAT IS PROPRIETARY TO MOLEX ELECTRONIC TECHNOLOGIES, LLC AND SHOULD NOT BE USED WITHOUT WRITTEN PERMISSION												
	DIMENSION UNITS		SCALE		CURRENT REV DESC:								
	MM/IN		NTS		EWR # 15321-E ADDED -4215 , -4216 , -4217 , -4218 PART NO								
	GENERAL TOLERANCES (UNLESS SPECIFIED)										SMP ADAPTER ASSEMBLY 50? EWR-11818, SMP-P/J/PCB		
	4 PLACES		±	±	EC NO: 718007								
	3 PLACES		±	± 0.01	DRWN: BSHAH 2020/01/02								
	2 PLACES		± 0.25	±	CHK'D: YCHENG 2022/08/24								
	1 PLACE		±	±	APPR: YCHENG 2022/08/24								
	0 PLACES		±	±	INITIAL REVISION:								
	ANGULAR TOL		± 0.5 °		DRWN: AZR 2004/03/24								
DRAFT WHERE APPLICABLE MUST REMAIN WITHIN DIMENSIONS		THIRD ANGLE PROJECTION		DRAWING		SERIES		MATERIAL NUMBER		CUSTOMER		SHEET NUMBER	
				C-SIZE		73415		SEE TABLE				3 OF 7	

NOTE:

1. 10 PITCHES CUMULATIVE TOLERANCE ±0.20(.008)

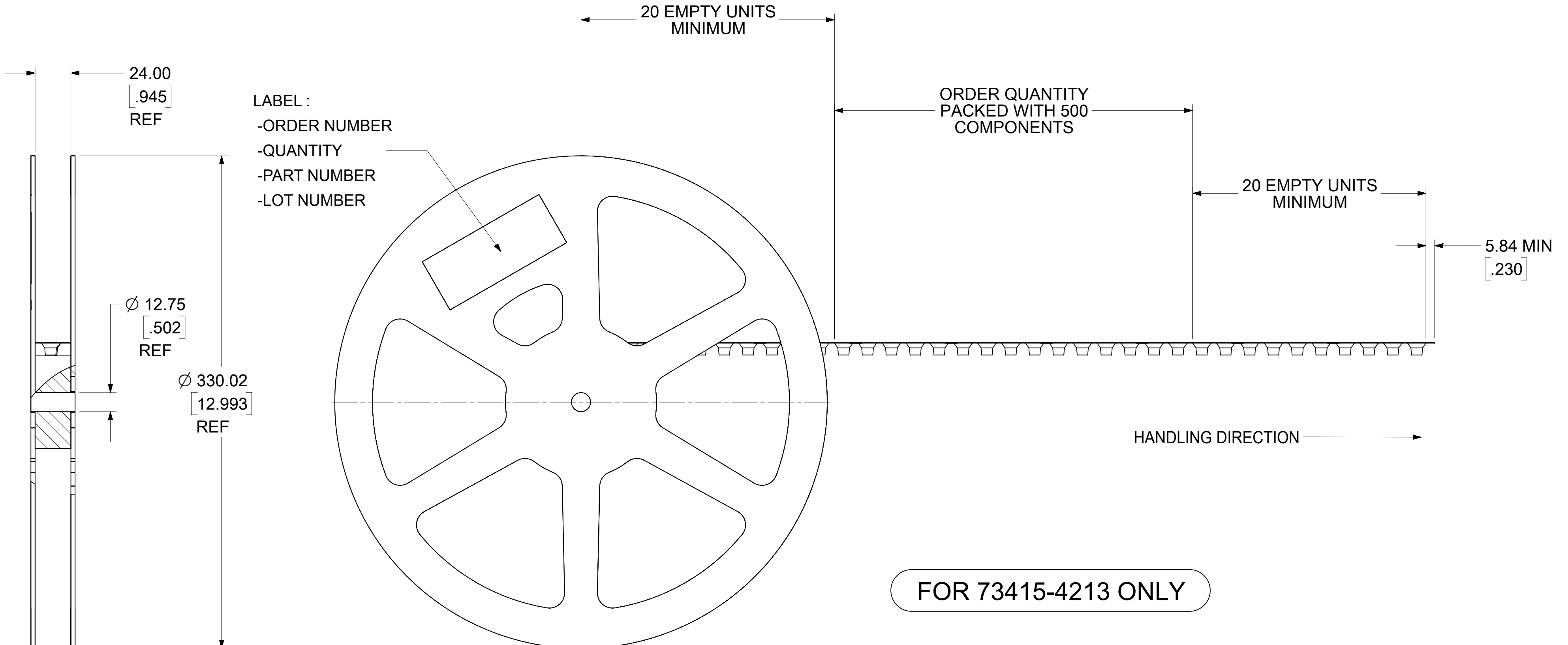


FOR 73415-4213 ONLY



FUNCTIONAL SYMBOLS $F_A = 0$ $F_C = 0$ $F_P = 0$ #####	THIS DRAWING CONTAINS INFORMATION THAT IS PROPRIETARY TO MOLEX ELECTRONIC TECHNOLOGIES, LLC AND SHOULD NOT BE USED WITHOUT WRITTEN PERMISSION				CURRENT REV DESC: EWR # 15321-E ADDED -4215, -4216, -4217, -4218 PART NO								
	DIMENSION UNITS MM/IN		SCALE NTS		EC NO: 718007 DRWN: BSHAH 2020/01/02 CHK'D: YCHENG 2022/08/24 APPR: YCHENG 2022/08/24		SMP ADAPTER ASSEMBLY 50? EWR-11818, SMP-P/J/PCB						
	GENERAL TOLERANCES (UNLESS SPECIFIED)				INITIAL REVISION: DRWN: AZR 2004/03/24 APPR: JDW 2004/03/24		PRODUCT CUSTOMER DRAWING						
	4 PLACES ± ± 3 PLACES ± ± 0.01 2 PLACES ± 0.25 ± 1 PLACE ± ± 0 PLACES ± ± ANGULAR TOL ± 0.5 °		DRAFT WHERE APPLICABLE MUST REMAIN WITHIN DIMENSIONS		THIRD ANGLE PROJECTION 		DRAWING C-SIZE		SERIES 73415		DOCUMENT NUMBER SD-73415-421		DOC TYPE DOC PART REVISION PSD 001 B6

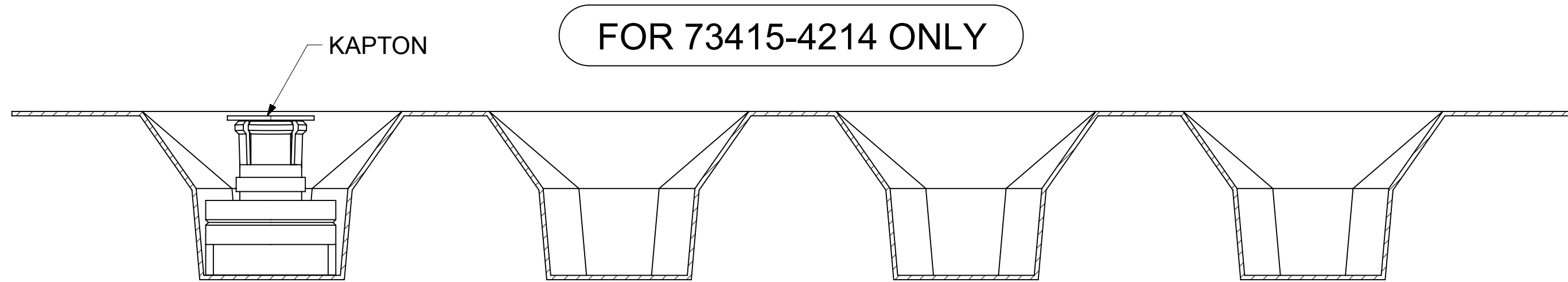
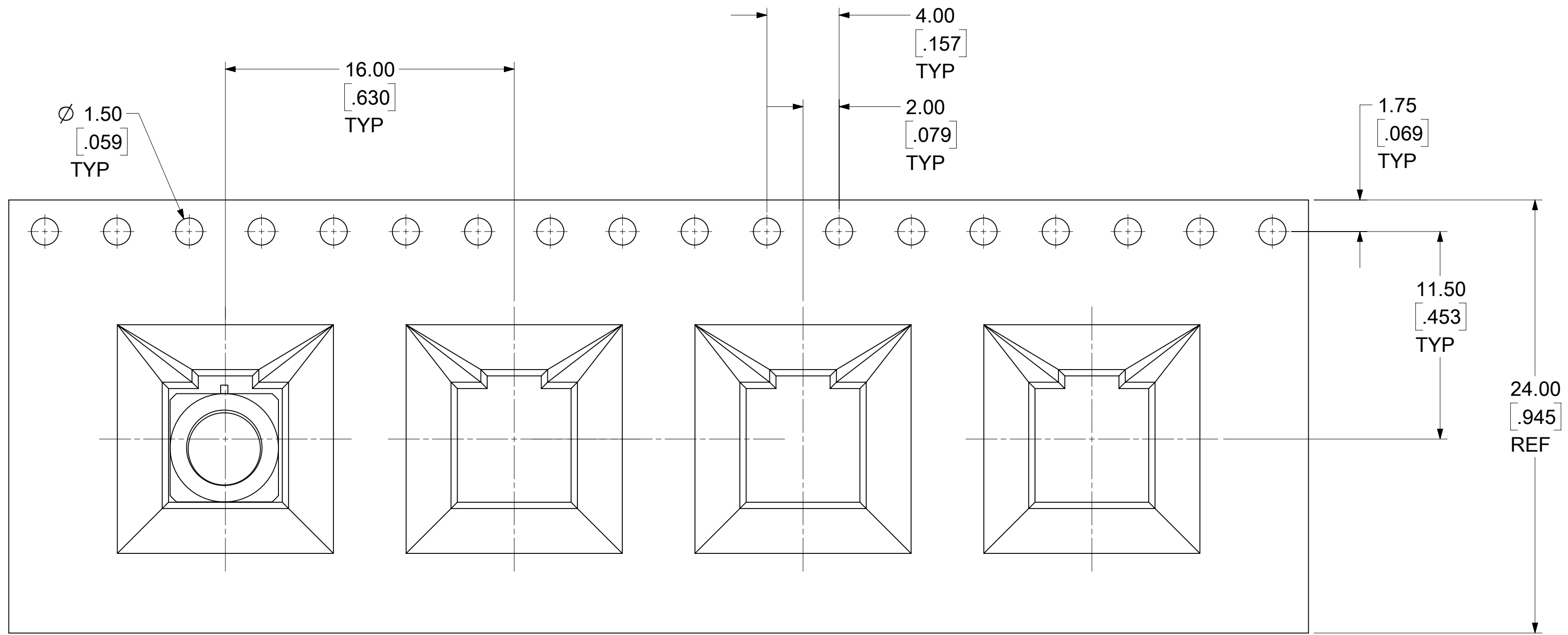
DOCUMENT STATUS	P1	RELEASE DATE	2022/08/24	02:18:05
-----------------	----	--------------	------------	----------



SEE SHEET 1 FOR PCB LAYOUT

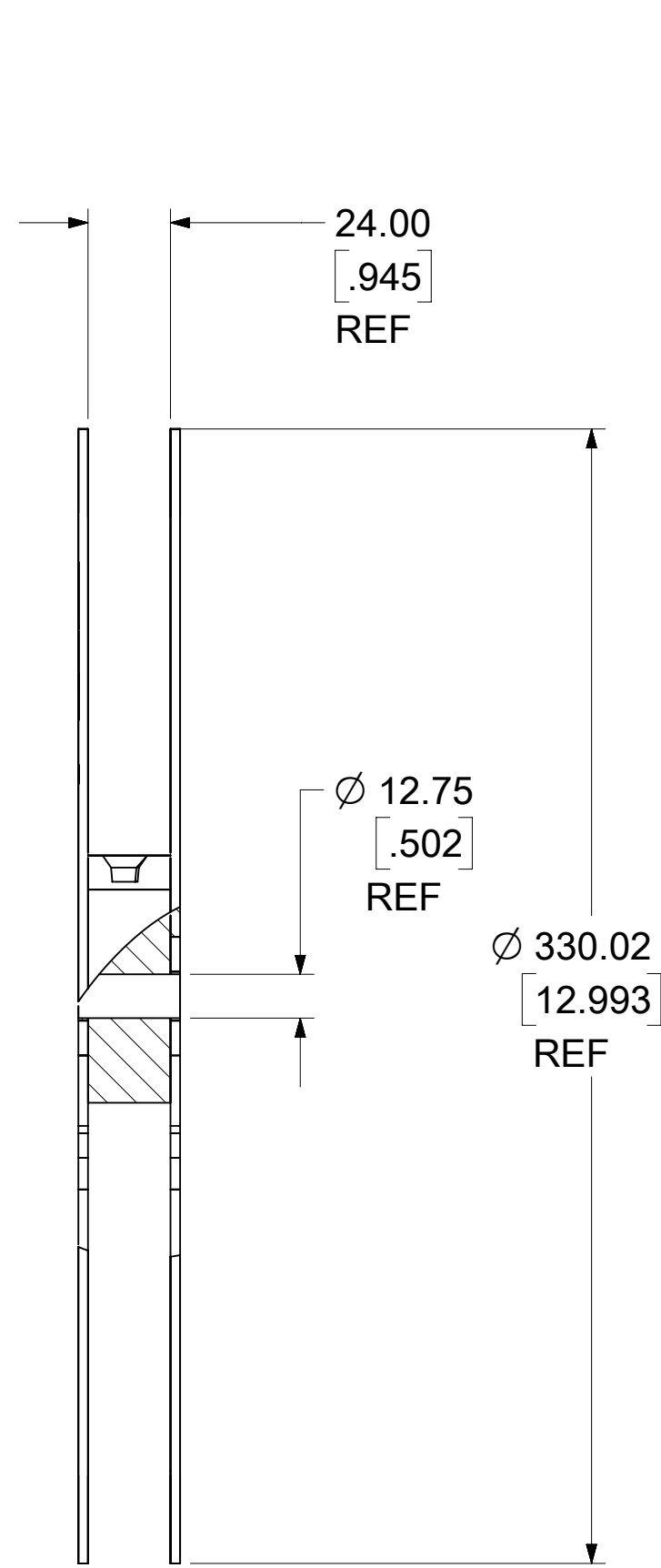
FUNCTIONAL SYMBOLS $\nabla_A = 0$ $\nabla_C = 0$ $\nabla_P = 0$ #####	THIS DRAWING CONTAINS INFORMATION THAT IS PROPRIETARY TO MOLEX ELECTRONIC TECHNOLOGIES, LLC AND SHOULD NOT BE USED WITHOUT WRITTEN PERMISSION											
	DIMENSION UNITS MM/IN		SCALE NTS		CURRENT REV DESC: EWR # 15321-E ADDED -4215 , -4216 , -4217 , -4218 PART NO							
	GENERAL TOLERANCES (UNLESS SPECIFIED)				EC NO: 718007 DRWN: BSHAH 2020/01/02 CHK'D: YCHENG 2022/08/24 APPR: YCHENG 2022/08/24						SMP ADAPTER ASSEMBLY 50? EWR-11818, SMP-P/J/PCB	
	4 PLACES ± ± 3 PLACES ± ± 0.01 2 PLACES ± 0.25 ± 1 PLACE ± ± 0 PLACES ± ± ANGULAR TOL ± 0.5 °				INITIAL REVISION: DRWN: AZR 2004/03/24 APPR: JDW 2004/03/24				PRODUCT CUSTOMER DRAWING			
DRAFT WHERE APPLICABLE MUST REMAIN WITHIN DIMENSIONS		THIRD ANGLE PROJECTION 		DRAWING C-SIZE		SERIES 73415		DOCUMENT NUMBER SD-73415-421		DOC TYPE PSD	DOC PART 001	REVISION B6
MATERIAL NUMBER SEE TABLE		CUSTOMER		SHEET NUMBER 5 OF 7								

DOCUMENT STATUS	P1	RELEASE DATE	2022/08/24	02:18:05
-----------------	----	--------------	------------	----------

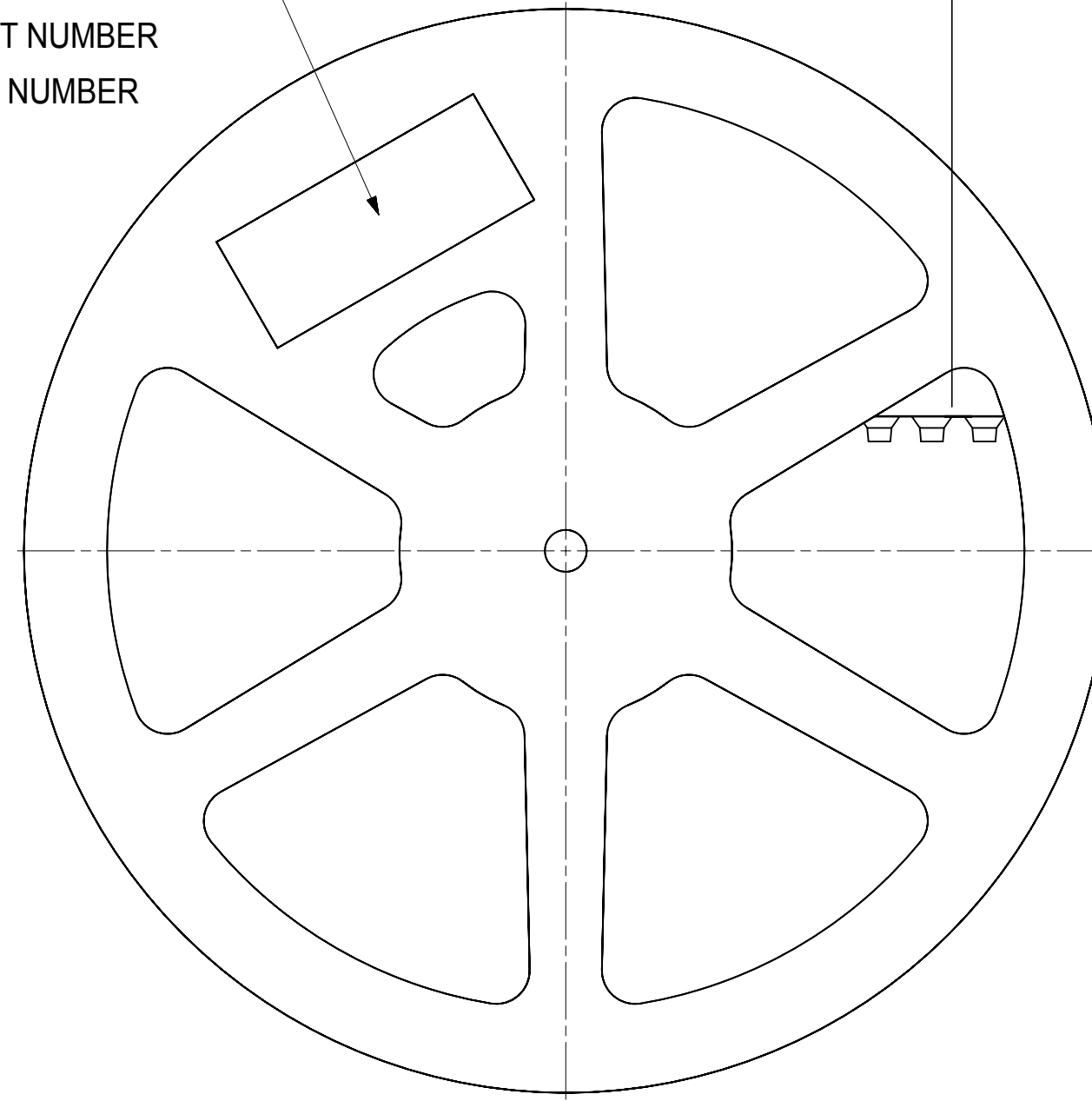


FOR 73415-4214 ONLY

FUNCTIONAL SYMBOLS $\nabla_A = 0$ $\nabla_C = 0$ $\nabla_P = 0$ #####	THIS DRAWING CONTAINS INFORMATION THAT IS PROPRIETARY TO MOLEX ELECTRONIC TECHNOLOGIES, LLC AND SHOULD NOT BE USED WITHOUT WRITTEN PERMISSION			
	DIMENSION UNITS MM/IN		SCALE NTS	
	GENERAL TOLERANCES (UNLESS SPECIFIED)			
	4 PLACES	±		
3 PLACES	±		± 0.01	
2 PLACES	±	0.25	±	
1 PLACE	±		±	
0 PLACES	±		±	
		ANGULAR TOL ± 0.5 °		
DRAFT WHERE APPLICABLE MUST REMAIN WITHIN DIMENSIONS		THIRD ANGLE PROJECTION		
		DRAWING	SERIES	
		C-SIZE	73415	
CURRENT REV DESC:		EWR # 15321-E		
		ADDED -4215 , -4216 , -4217 , -4218 PART NO		
		EC NO: 718007		
		DRWN: BSHAH 2020/01/02		
		CHK'D: YCHENG 2022/08/24		
		APPR: YCHENG 2022/08/24		
INITIAL REVISION:		2004/03/24		
DRWN: AZR		2004/03/24		
APPR: JDW		2004/03/24		
DOCUMENT NUMBER	DOC TYPE	DOC PART	REVISION	
SD-73415-421	PSD	001	B6	
MATERIAL NUMBER	CUSTOMER	SHEET NUMBER		
SEE TABLE		6 OF 7		



LABEL:
-ORDER NUMBER
-QUANTITY
-PART NUMBER
-LOT NUMBER



25 EMPTY UNITS
MINIMUM

ORDER QUANTITY
PACKED WITH 500
COMPONENTS

25 EMPTY UNITS
MINIMUM

5.84
[.230]
MIN

HANDLING DIRECTION →

FOR 73415-4214 ONLY

FUNCTIONAL SYMBOLS FA = 0 FC = 0 FP = 0 #####	THIS DRAWING CONTAINS INFORMATION THAT IS PROPRIETARY TO MOLEX ELECTRONIC TECHNOLOGIES, LLC AND SHOULD NOT BE USED WITHOUT WRITTEN PERMISSION											
	DIMENSION UNITS		SCALE		CURRENT REV DESC:							
	MM/IN		NTS		EWR # 15321-E ADDED -4215 , -4216 , -4217 , -4218 PART NO							
	GENERAL TOLERANCES (UNLESS SPECIFIED)										SMP ADAPTER ASSEMBLY 50? EWR-11818, SMP-P/J/PCB	
			MM	INCH	EC NO: 718007 DRWN: BSHAH 2020/01/02 CHK'D: YCHENG 2022/08/24 APPR: YCHENG 2022/08/24							
	4 PLACES		±	±	INITIAL REVISION:						DOCUMENT NUMBER	
	3 PLACES		±	± 0.01	DRWN: AZR 2004/03/24						SD-73415-421	
	2 PLACES		± 0.25	±	APPR: JDW 2004/03/24						PSD 001 B6	
	1 PLACE		±	±	DRAFT WHERE APPLICABLE MUST REMAIN WITHIN DIMENSIONS						MATERIAL NUMBER	
	0 PLACES		±	±	THIRD ANGLE PROJECTION		DRAWING		SERIES		CUSTOMER	
ANGULAR TOL		± 0.5 °		C-SIZE		73415		SEE TABLE		SHEET NUMBER		
										7 OF 7		