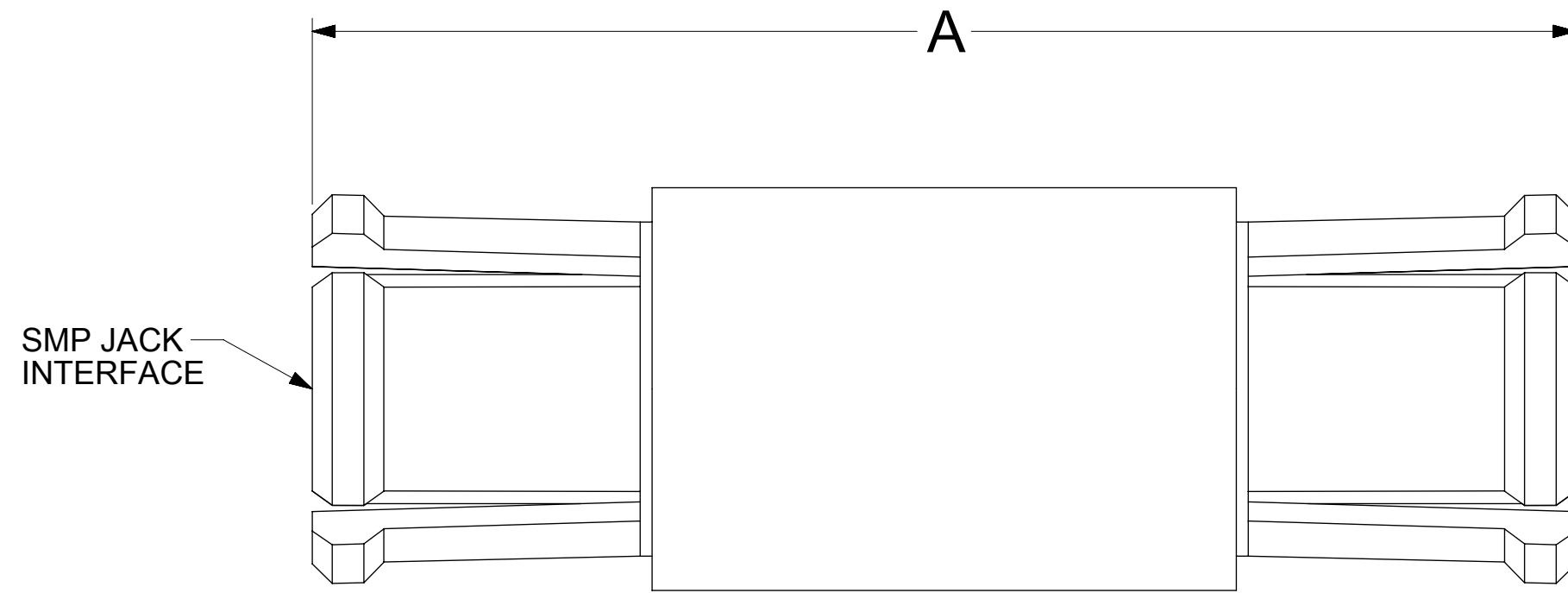


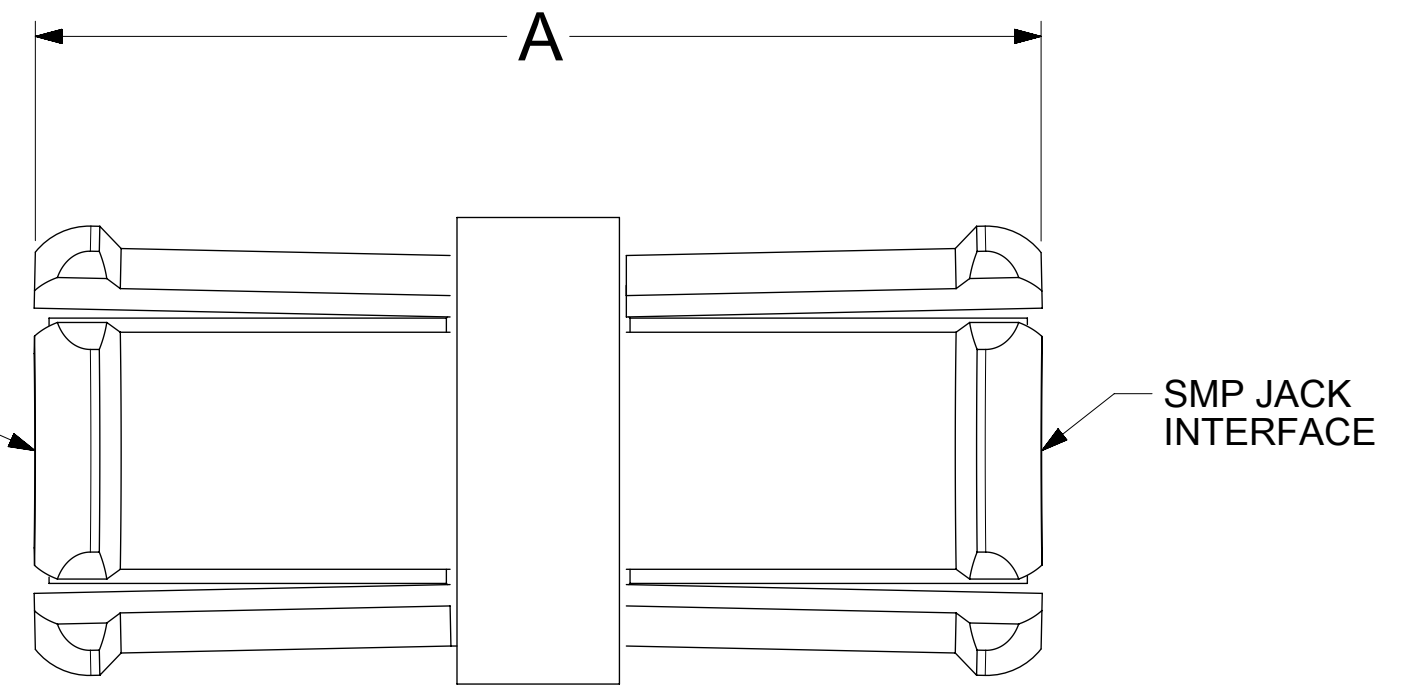
MATERIALS AND FINISHES:

BODY, CONTACT: BERYLLIUM COPPER
PLATING: SEE TABLE

INSULATORS: PTFE

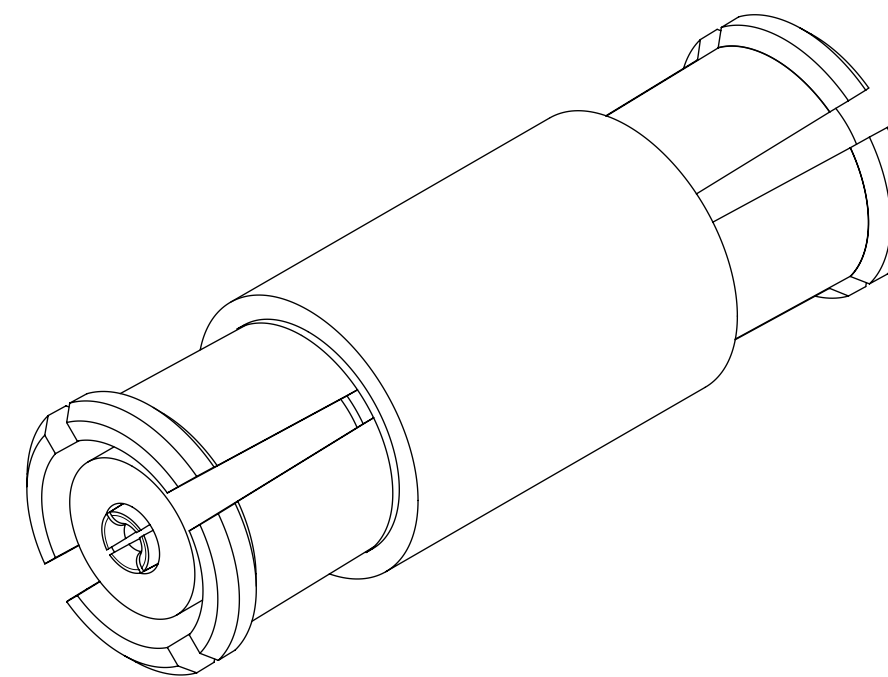


VIEW FOR 73406-6400 THRU -6409

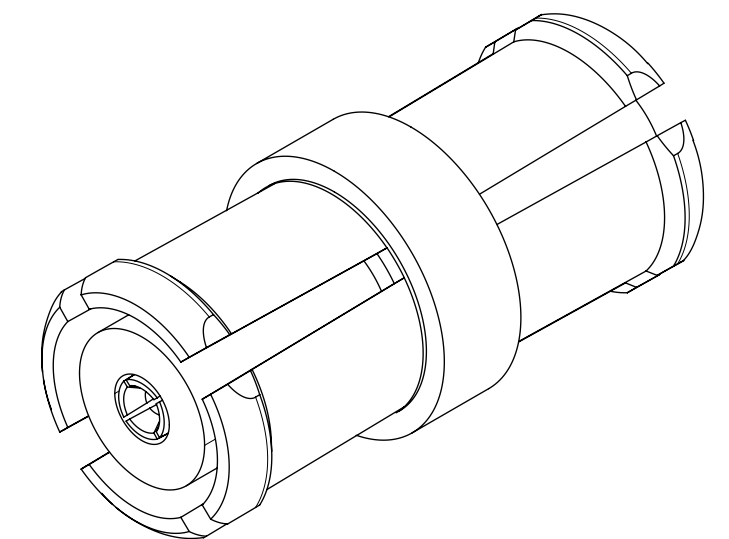


VIEW FOR 73406-6410 THRU -6412

73406-6412	1.051±.002	26.70±0.05	GOLD (30μ-in MIN) OVER NICKEL (100μ-in MIN)	TRAY (54 CAVITY)	73406-6412
73406-6411	.414±.002	10.52±0.05		TRAY (80 CAVITY)	73406-6411
73406-6410	.291±.002	7.39±0.05			73406-6410
73406-6409	.497±.002	12.63±0.05		TRAY (54 CAVITY)	73406-6409
73406-6408	1.033±.002	26.25±0.05			73406-6408
73406-6407	1.001±.002	25.43±0.05			73406-6407
73406-6406	.806±.002	20.47±0.05		TRAY (80 CAVITY)	73406-6406
73406-6405	.474±.002	12.04±0.05	73406-6405		
73406-6404	.882±.002	22.40±0.05	GOLD (10μ-in MIN) OVER NICKEL (100μ-in MIN)	TRAY (54 CAVITY)	73406-6404
73406-6403	.449±.002	11.40±0.05		TRAY (80 CAVITY)	73406-6403
73406-6402	.606±.002	15.40±0.05	73406-6402		
73406-6401	.488±.002	12.40±0.05	GOLD (30μ-in MIN) OVER NICKEL (100μ-in MIN)		73406-6401
73406-6400	.425±.002	10.77±0.05		73406-6400	
PART NO.	IN	MM	PLATING BODY AND CONTACT	PACKAGING	PART NO.
	DIM A				



73406-6400 THRU -6409



73406-6410 THRU -6412

SYMBOLS		THIS DRAWING CONTAINS INFORMATION THAT IS PROPRIETARY TO MOLEX ELECTRONIC TECHNOLOGIES, LLC AND SHOULD NOT BE USED WITHOUT WRITTEN PERMISSION	
▽ = 0	IN/MM	SCALE	CURRENT REV DESC: REDRAWN AND REVISED
▽ = 0	NTS		
▽ = 0	GENERAL TOLERANCES (UNLESS SPECIFIED)		EC NO: 612470 DRWN: LMEIER 2019/02/08 CHK'D: AROBERTSON 2019/02/20 APPR: AROBERTSON 2019/02/20 INITIAL REVISION: DRWN: JLEE02 2008/06/25 APPR: JWIENER 2008/06/25
▽ = 0	4 PLACES ±	±	
▽ = 0	3 PLACES ±	± 0.005	
▽ = 0	2 PLACES ±	± 0.13 ± 0.01	
▽ = 0	1 PLACE ±	± 0.25 ±	
▽ = 0	0 PLACES ±	±	DRWN: JLEE02 2008/06/25 APPR: JWIENER 2008/06/25
▽ = 0	ANGULAR TOL	± 2.0°	
▽ = 0	DRAFT WHERE APPLICABLE MUST REMAIN WITHIN DIMENSIONS		THIRD ANGLE PROJECTION
▽ = 0			DRAWING C-SIZE SERIES 73406

molex

SMP JACK TO JACK ADAPTER
50 OHMS, SMP-J/J/ADP, EWR-12858

PRODUCT CUSTOMER DRAWING

DOCUMENT NUMBER	DOC TYPE	DOC PART	REVISION
SD-73406-640	PSD	001	A10
MATERIAL NUMBER	CUSTOMER	SHEET NUMBER	
SEE TABLE		1 OF 1	

PS-89675-3320	PRODUCT SPECIFICATION		
MIL-STD-348B, FIG. 326.1	INTERFACE		
SPECIFICATION	DESCRIPTION		
DOCUMENT STATUS	P1	RELEASE DATE	2019/02/20 21:02:04