

VIEW K  
(金具部投影図)  
(DETAIL OF FITTING NAIL)

注記NOTES

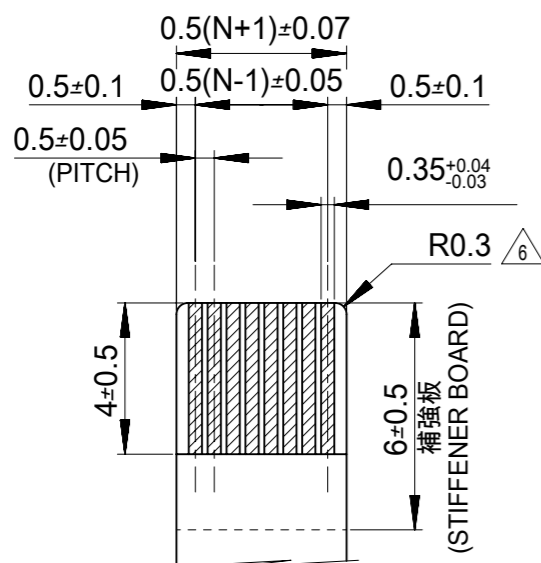
- 1.使用材料  
MATERIAL  
ハウジング : 46ナイロン、ガラス充填、UL94V-0、白  
HOUSING: PA46, GLASS FILLED, UL94V-0, WHITE  
アクチュエータ : ポリフェニレンサルフィド (PPS)、ガラス充填、UL94V-0、茶色  
ACTUATOR: POLYPHENYLENE SULFIDE, GLASS FILLED, UL94V-0, BROWN  
ターミナル : リン青銅、ニッケル下地金めっき (t=0.2)  
TERMINAL: PHOSPHOR BRONZE, GOLD OVER NICKEL PLATING  
金具 : リン青銅、ニッケル下地金めっき (t=0.2)  
FITTING NAIL: PHOSPHOR BRONZE, TIN OVER NICKEL PLATING
- 2.エンボステープ梱包時は、アクチュエータがロックした状態になります。  
IN THE PACKAGE, ACTUATOR OF PART NO.52437-\*\*-29 SHOULD BE LOCKED.
- 3.ソルダーテール半田付け面のズレ量、及び金具半田付け面のズレ量は、基準面Hに対して上方向に0.1MAXIMUM、下方向0.15MAXIMUMとする。  
MISALIGNMENT OF SOLDER TAILS AND FITTING NAILS FROM DATUM-H.  
UPPER DIRECTION: 0.1 MAXIMUM  
LOWER DIRECTION: 0.15 MAXIMUM
- 4.偶数極に適用  
APPLY FOR EVEN CIRCUIT.
- 5.パターン剥離止め金具  
FITTING NAIL FOR PREVENTION OF PEELING OF P.W.B. PATTERN.
- 6.R0.3は、FPCの導体部にかからないこと  
R0.3 MUST NOT BE OVERLAPED TO PATTERN OF FPC.
- 7.ソルダーテールの平坦度は、0.1MAXIMUMとする。  
SOLDER TAIL COPLANARITY IS 0.1 MAXIMUM.
- 8.ELV 及び RoHS 適合品  
ELV AND RoHS COMPLIANT

|                  |      |       |      |                  |      |
|------------------|------|-------|------|------------------|------|
| 21.6             | 19.6 | 15.65 | 14.5 | 52437-3071       | 30   |
| 21.1             | 19.1 | 15.15 | 14.0 | 52437-2971       | 29   |
| 20.6             | 18.6 | 14.65 | 13.5 | 52437-2871       | 28   |
| 20.1             | 18.1 | 14.15 | 13.0 | 52437-2771       | 27   |
| 19.6             | 17.6 | 13.65 | 12.5 | 52437-2671       | 26   |
| 19.1             | 17.1 | 13.15 | 12.0 | 52437-2571       | 25   |
| 18.6             | 16.6 | 12.65 | 11.5 | 52437-2471       | 24   |
| 18.1             | 16.1 | 12.15 | 11.0 | 52437-2371       | 23   |
| 17.6             | 15.6 | 11.65 | 10.5 | 52437-2271       | 22   |
| 17.1             | 15.1 | 11.15 | 10.0 | 52437-2171       | 21   |
| D                | C    | B     | (A)  | EMBOSSED PACKAGE | 極数   |
| ORDER No. オーダー番号 |      |       |      |                  | CKT. |

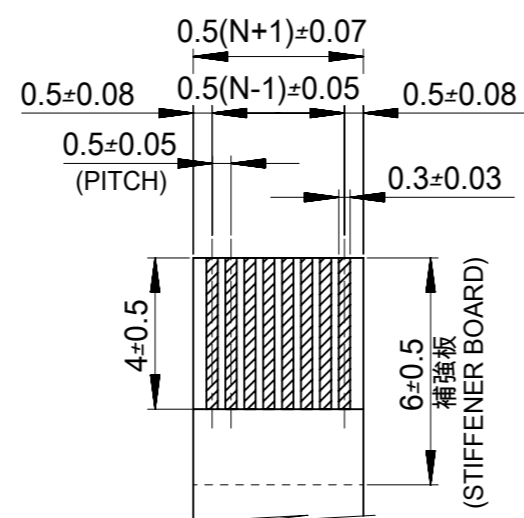
CONNECTOR SERIES NO. : 52437-\*\*-29

| GENERAL TOLERANCES (UNLESS SPECIFIED)                |        |
|--|--------|
| 10 UNDER   | ± 0.2  |
| 10 OVER 30 UNDER                                     | ± 0.25 |
| 30 OVER  | ± 0.3  |
| ANGULAR  | ± 3 °  |
| DRAFT WHERE APPLICABLE MUST REMAIN WITHIN DIMENSIONS |        |

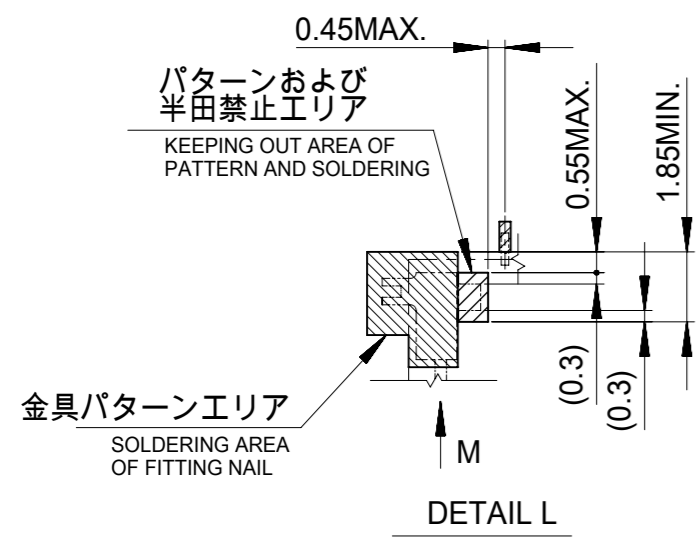
|   |       |                              |  |  |  |
|---|-------|------------------------------|--|--|--|
| THIS DRAWING CONTAINS INFORMATION THAT IS PROPRIETARY TO MOLEX ELECTRONIC TECHNOLOGIES, LLC AND SHOULD NOT BE USED WITHOUT WRITTEN PERMISSION |       | CURRENT REV DESC:            |  |  |  |
| DIMENSION UNITS   | SCALE | EC NO: 600082                |  |  |  |
| mm  | 10:1  | DRWN: YCHEN128 2018/03/02    |  | 0.5 FPC CONN.ZIF FOR SMT R/A (BOTTOM CONTACT) GOLD PLATING |  |
| GENERAL TOLERANCES (UNLESS SPECIFIED)   |       | CHK'D: KTAKAHASHI 2018/03/14 |  | PRODUCT CUSTOMER DRAWING                                   |  |
| ANGULAR TOL ± 30 °  |       | APPR: NUKITA 2018/03/14      |  | DOCUMENT NUMBER  |  |
| 4 PLACES ± 0.2  |       | INITIAL REVISION:            |  | DOC TYPE   |  |
| 3 PLACES ± 0.25   |       | DRWN: MUMEDA 2004/12/20      |  | DOC PART   |  |
| 2 PLACES ± 0.3  |       | APPR: NUKITA 2004/12/24      |  | REVISION   |  |
| 1 PLACE ±   |       | THIRD ANGLE PROJECTION       |  | DRAWING  |  |
| 0 PLACES ±  |       | DRAWING                      |  | SERIES   |  |
| DRAFT WHERE APPLICABLE MUST REMAIN WITHIN DIMENSIONS  |       | A3-SIZE                      |  | 52437  |  |
|   |       | MATERIAL NUMBER              |  | CUSTOMER   |  |
|   |       | SEE TABLE                    |  | GENERAL MARKET   |  |
|   |       | SHEET NUMBER                 |  | 1 OF 2   |  |



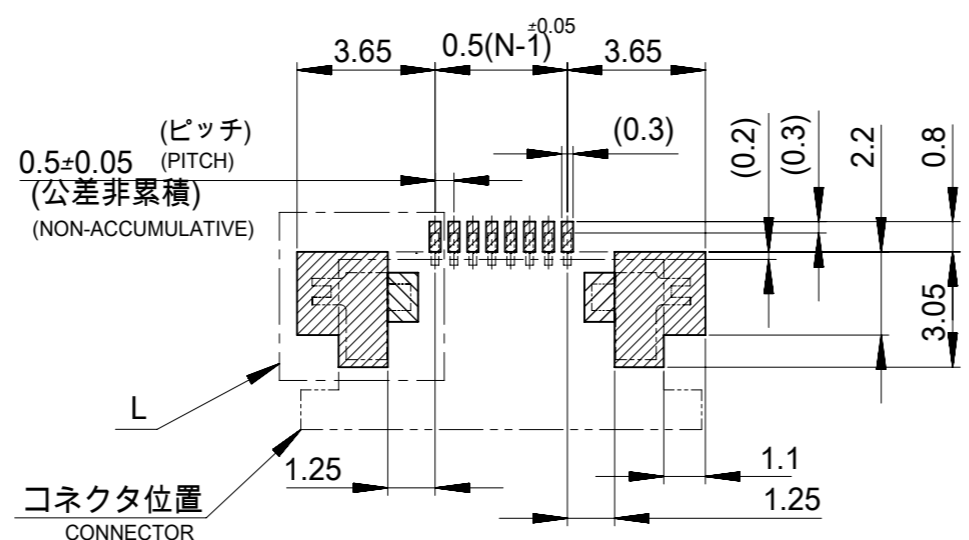
適合金めっきFPC推奨寸法  
 APPLICABLE FPC OF GOLD  
 PLATING RECOMMENDED DIMENSION  
 仕上がり厚さ : 0.3±0.05  
 THICKNESS: 0.3±0.05/-0.05



適合金めっきFFC推奨寸法  
 APPLICABLE FFC OF GOLD  
 PLATING RECOMMENDED DIMENSION  
 仕上がり厚さ : 0.3±0.05  
 THICKNESS: 0.3±0.05/-0.05

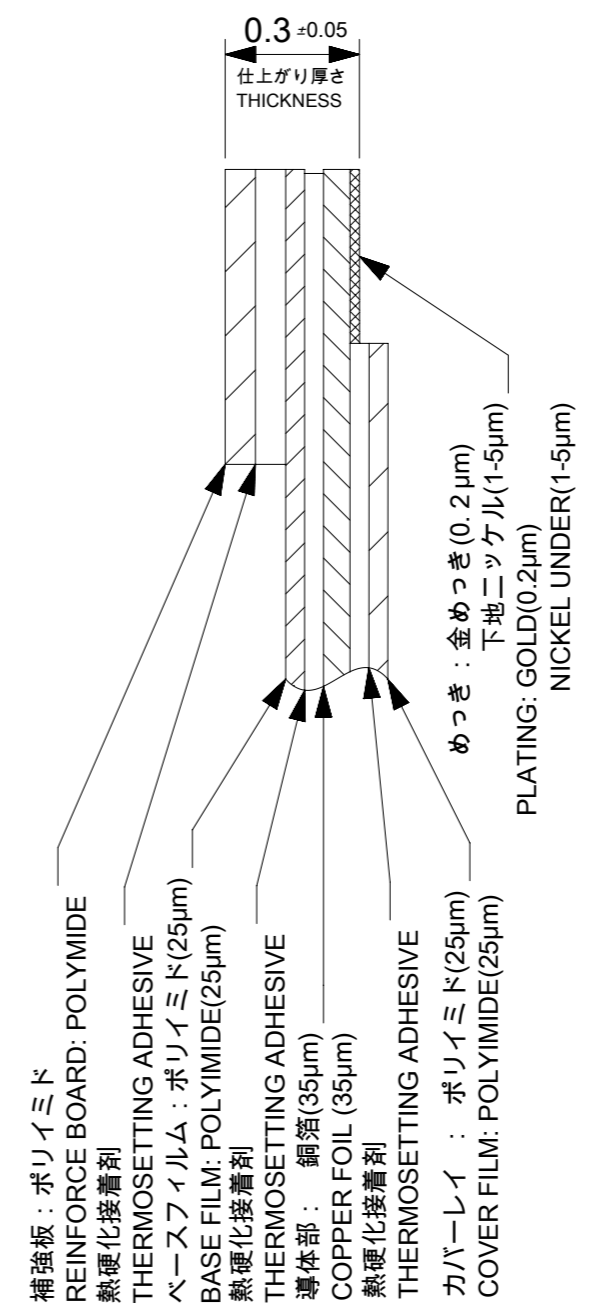


DETAIL L

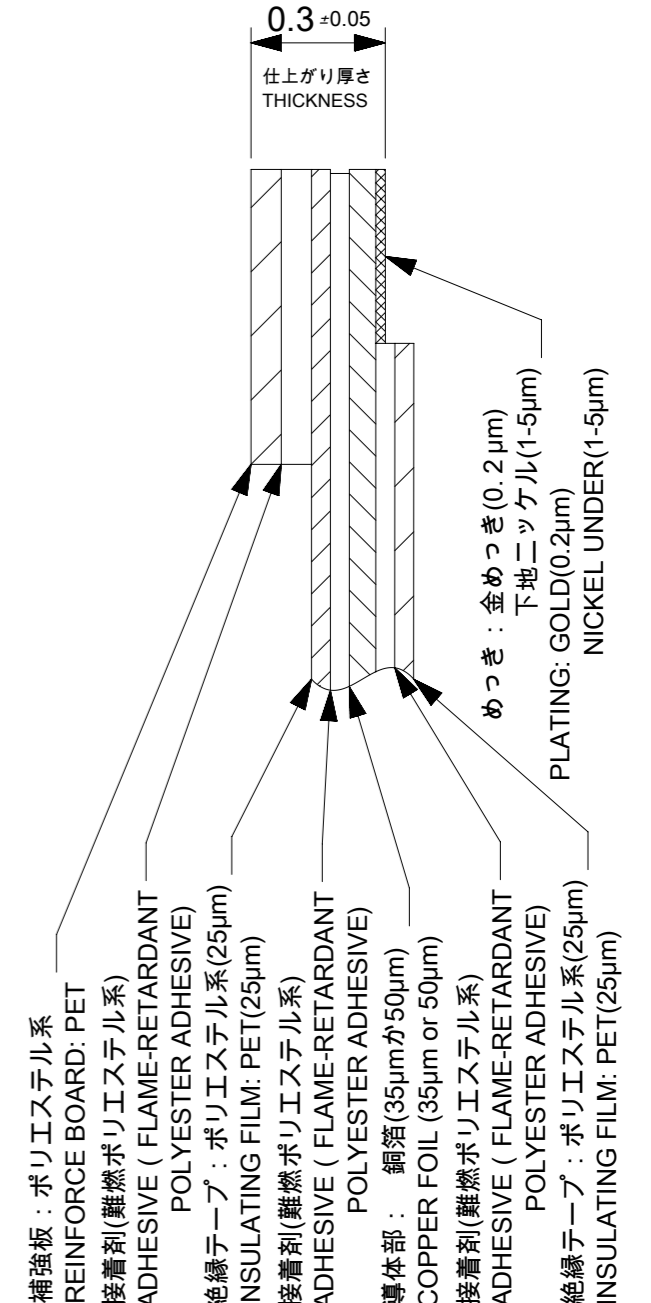


コネクタ位置  
 CONNECTOR POSITION

参考基板レイアウト  
 (マウント面)  
 RECOMMENDED P.C.BOARD  
 PATTERN DIMENSION (REF.)  
 (MOUNTING SIDE)



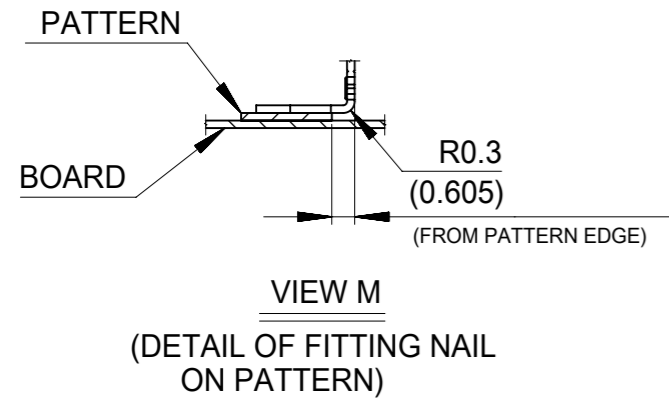
FPC構成推奨仕様  
 STRUCTURE OF FPC



FFC構成推奨仕様  
 STRUCTURE OF FFC

FPCについて  
 打ち抜き方向は導体側から補強板を推奨いたします。  
 補強フィルム材質はポリイミドを推奨いたします。  
 接着剤は熱効果接着剤を推奨致します。

ABOUT FPC :  
 RECOMMENDED PUNCHER DIRECTION : FROM CONDUCTOR SIDE TO STIFFNER BOARD SIDE.  
 RECOMMENDED MATERIAL :  
 STIFFNER FILM : POLYIMIDE  
 BONDING AGENT : THERMOSETTING BONDING AGENT



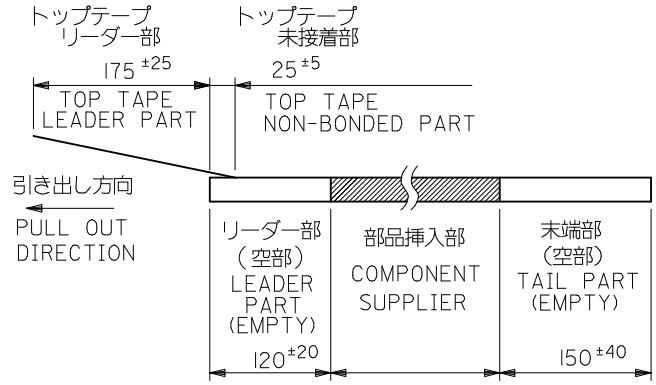
VIEW M  
 (DETAIL OF FITTING NAIL  
 ON PATTERN)

| GENERAL TOLERANCES (UNLESS SPECIFIED)                |        |
|--|--------|
| 10 UNDER   | ± 0.2  |
| 10 OVER 30 UNDER                                     | ± 0.25 |
| 30 OVER  | ± 0.3  |
| ANGULAR  | ± 3 °  |
| DRAFT WHERE APPLICABLE MUST REMAIN WITHIN DIMENSIONS |        |

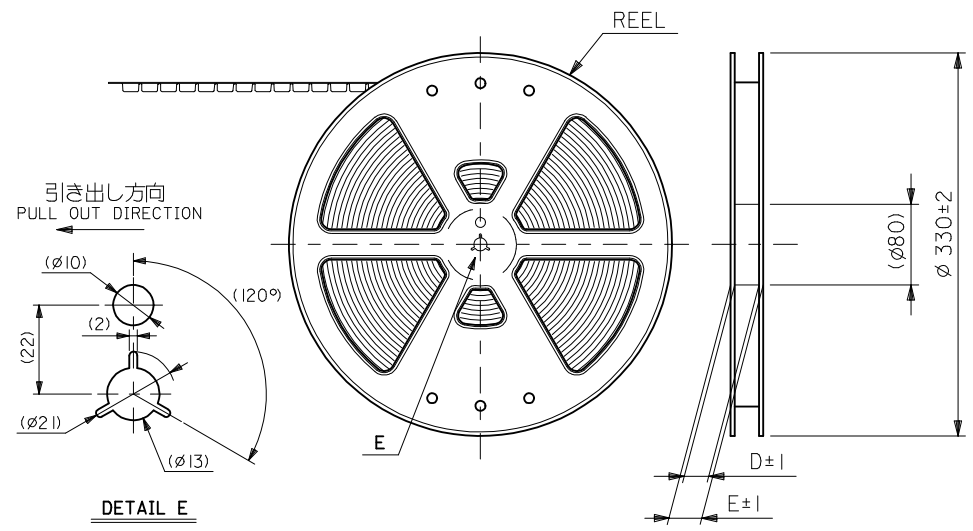
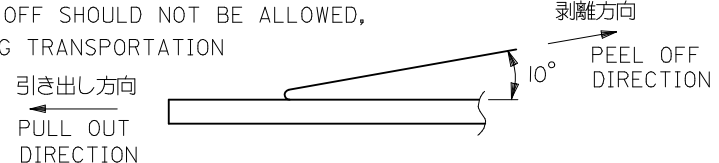
|   |         |                              |         |  |                 |
|---|---------|------------------------------|---------|--|-----------------|
| THIS DRAWING CONTAINS INFORMATION THAT IS PROPRIETARY TO MOLEX ELECTRONIC TECHNOLOGIES, LLC AND SHOULD NOT BE USED WITHOUT WRITTEN PERMISSION |         | CURRENT REV DESC:            |         | <b>molex</b>   |                 |
| DIMENSION UNITS   | SCALE   |                              |         |  |                 |
| mm  | 5:1     |                              |         | 0.5 FPC CONN.ZIF FOR SMT R/A (BOTTOM CONTACT) GOLD PLATING |                 |
| GENERAL TOLERANCES (UNLESS SPECIFIED)   |         | EC NO: 600082                |         | DOCUMENT NUMBER  |                 |
| ANGULAR TOL   | ± 3.0 ° | DRWN: YCHEN128 2018/03/02    |         | SD-52437-019   |                 |
| 4 PLACES  | ± 0.2   | CHK'D: KTAKAHASHI 2018/03/14 |         | DOC TYPE   |                 |
| 3 PLACES  | ± 0.25  | APPR: NUKITA 2018/03/14      |         | DOC PART   |                 |
| 2 PLACES  | ± 0.3   | INITIAL REVISION:            |         | REVISION   |                 |
| 1 PLACE   | ±       | DRWN: MUMEDA 2004/12/20      |         | 001  |                 |
| 0 PLACES  | ±       | APPR: NUKITA 2004/12/24      |         | F  |                 |
| DRAFT WHERE APPLICABLE MUST REMAIN WITHIN DIMENSIONS  |         | THIRD ANGLE PROJECTION       | DRAWING | SERIES   | MATERIAL NUMBER |
|   |         | ⊕                            | A3-SIZE | 52437  | SEE SHEET 1     |
|   |         | CUSTOMER                     |         | SHEET NUMBER   |                 |
|   |         | GENERAL MARKET               |         | 2 OF 2   |                 |

注記 NOTES

- 製品番号52437-\*\*29の梱包状態はアクチュエータがロックした状態とする。  
製品の詳細寸法については図面SD-52437-019を参照下さい。  
IN THE PACKAGE, ACTUATOR OF PART NO. 52437-\*\*29 SHOULD BE LOCKED RE DETAILED DIMENSIONS, SEE SD-52437-019.
- 梱包数量：1000個/リール  
NUMBER OF CONNECTORS:1000PCS/REEL
- リードテープ長さ LEAD TAPE LENGTH

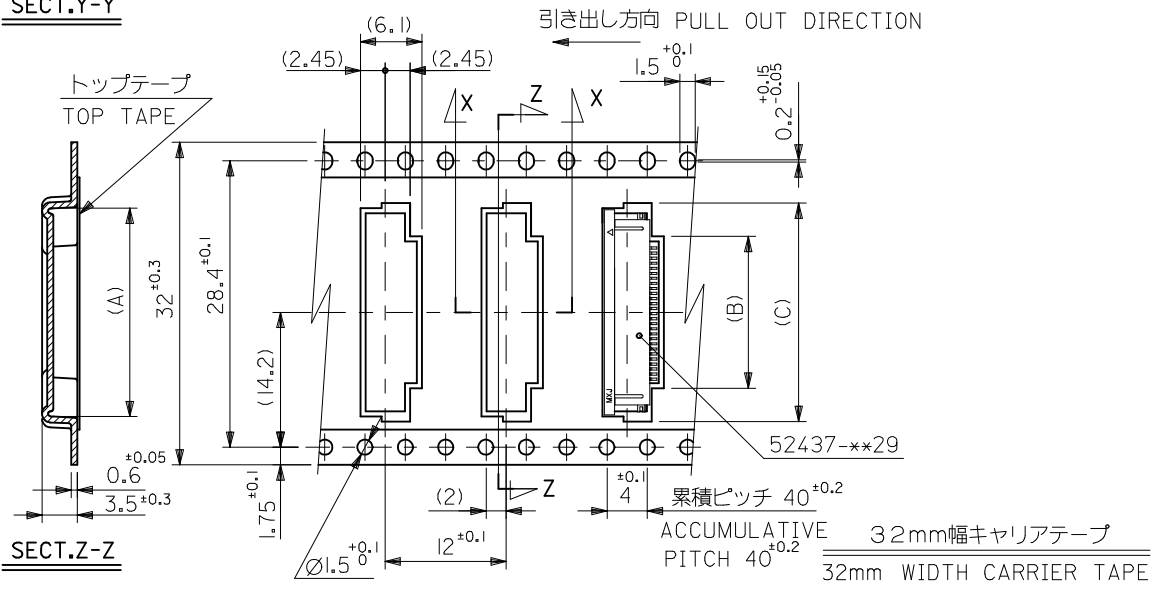
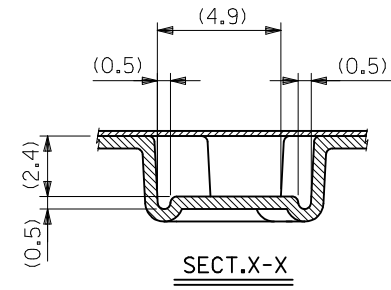
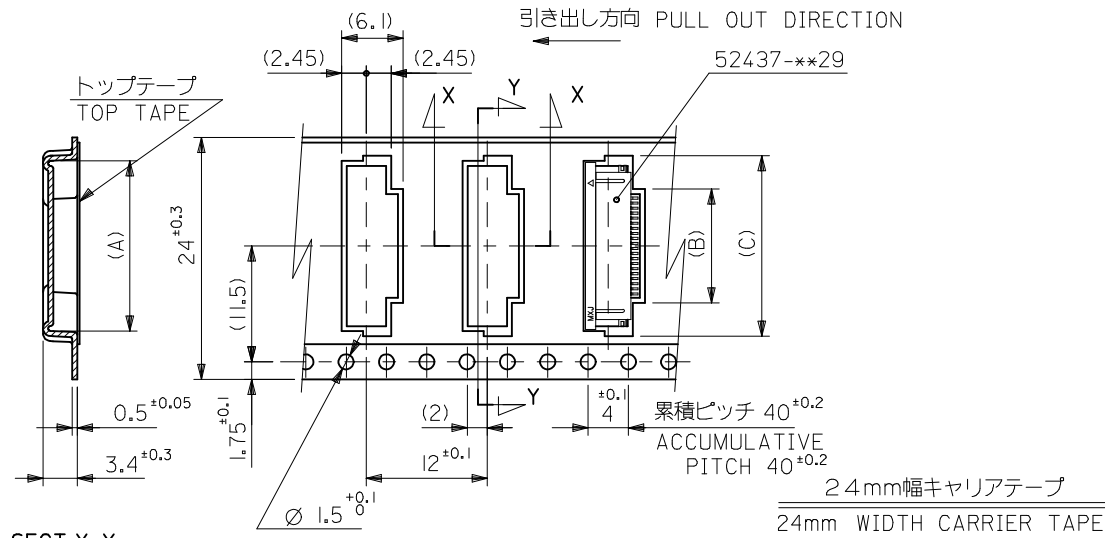


- トップテープの剥離強度：(剥離方向は下図参照)  
0.1N~1.3N {10gf~130gf}尚、本規格値は、出荷時に適用。  
(但し、輸送時に剥離が発生しない事。)  
PEELING OFF FORCE OF TOP TAPE  
0.1N ~1.3N {10gf ~130gf} (PEELING DIRECTION AS SHOWN IN FOLLOWING FIG.)  
THIS REQUIREMENT SHOULD BE APPLIED AT SHIPMENT  
PEEL OFF SHOULD NOT BE ALLOWED,  
DURING TRANSPORTATION



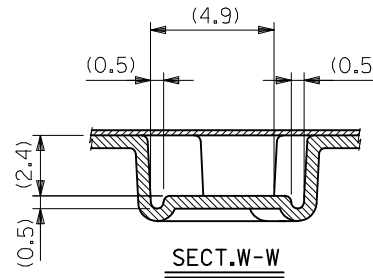
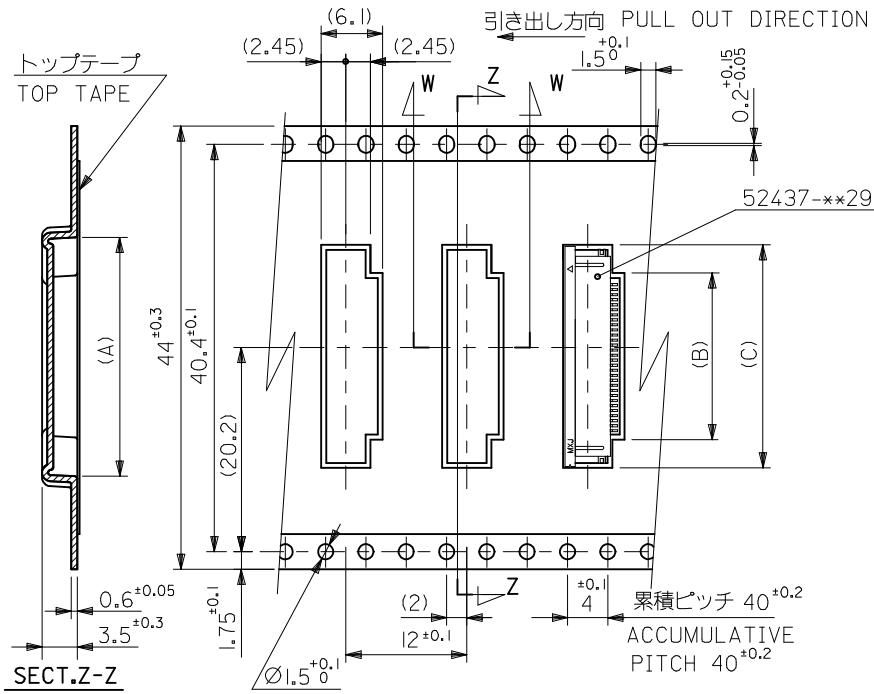
- 材料 (MATERIAL)  
キャリアテープ (CARRIER TAPE) : ポリプロピレン (POLYPROPYLENE)  
トップテープ (TOP TAPE) : PET, PE, PEF  
リール (REEL) : ポリスチレン (PS) <リサイクル材を含む>  
POLYSTYREN (PS) <RECYCLE MATERIAL CONTAINED>
- 本製品は 52437-\*\*91 の鉛フリー品である。  
THIS PRODUCT IS LEAD FREE OF 52437-\*\*91.

|  |                    |  |       |                            |  |   |                        |           |            |
|--|--------------------|--|-------|----------------------------|--|---|------------------------|-----------|------------|
| REVISED<br>EC NO: J2014-0114<br>2013/07/22<br>DRWN: INOUE01<br>2013/07/29<br>CHKD: HIJIMA<br>2013/07/29<br>APPR: YNOGAWA<br>2013/07/29 | DESCRIPTION<br>REV | GENERAL TOLERANCES (UNLESS SPECIFIED)                      |       | DIMENSION STYLE<br>MM ONLY |  | SCALE<br>---  | DESIGN UNITS<br>METRIC | MODEL NO. | 52437-**71 |
|  |                    | 10 UNDER   | ±0.2  | DRAWN BY                   | DATE   | TITLE   |                        |           |            |
|  |                    | 10 OVER 30 UNDER   | ±0.25 | M. UMEDA                   | 2004-12/08   | 0.5 FPC CONN. ZIF SMT RA<br>WITH TAPE EMBSTP PKG<br>-LEAD FREE- |                        |           |            |
|  |                    | 30 OVER  | ±0.3  | CHECKED BY                 | DATE   | molex   |                        |           |            |
|  |                    | ANGULAR  | ±3 °  | APPROVED BY                | DATE   | DOCUMENT NO.  |                        |           | SHEET NO.  |
|  |                    | DRAFT WHERE APPLICABLE<br>MUST REMAIN<br>WITHIN DIMENSIONS |       | N. UKITA                   | 2004-12/08   | SD-52437-020  |                        |           | 1 OF 3     |
|  |                    |  |       | MATERIAL NO.               | SEE CHART  |   |                        |           |            |
|  |                    |  |       | SIZE                       | THIS DRAWING CONTAINS INFORMATION THAT IS PROPRIETARY TO MOLEX<br>INCORPORATED AND SHOULD NOT BE USED WITHOUT WRITTEN PERMISSION |   |                        |           |            |



|                                |      |      |      |      |      |              |               |
|--------------------------------|------|------|------|------|------|--------------|---------------|
| 32                             | 37.4 | 33.4 | 22.4 | 15.8 | 21.4 | 52437-2971   | 29            |
|                                |      |      | 21.9 | 15.3 | 20.9 | 52437-2871   | 28            |
|                                |      |      | 21.4 | 14.8 | 20.4 | 52437-2771   | 27            |
|                                |      |      | 20.9 | 14.3 | 19.9 | 52437-2671   | 26            |
|                                |      |      | 20.4 | 13.8 | 19.4 | 52437-2571   | 25            |
|                                |      |      | 19.9 | 13.3 | 18.9 | 52437-2471   | 24            |
|                                |      |      | 19.4 | 12.8 | 18.4 | 52437-2371   | 23            |
| 24                             | 29.4 | 25.4 | 18.9 | 12.3 | 17.9 | 52437-2271   | 22            |
|                                |      |      | 18.4 | 11.8 | 17.4 | 52437-2171   | 21            |
| キャリアテープ幅<br>CARRIER TAPE WIDTH | E    | D    | (C)  | (B)  | (A)  | MATERIAL NO. | 極数<br>CIRCUIT |
|                                |      |      |      |      |      | MODEL NO.    | 52437-**-71   |

|  |  |  |                     |   |              |   |
|--|--|--|---------------------|---|--------------|---|
| REVISED<br>EC NO: J2014-0114<br>2013/07/22<br>DRWN: INOUE01<br>2013/07/29<br>CHKD: HIJIMA<br>2013/07/29<br>APPR: YNOGAWA | GENERAL TOLERANCES (UNLESS SPECIFIED)                |  | DIMENSION STYLE     | SCALE   | DESIGN UNITS | TITLE<br>0.5 FPC CONN. ZIF SMT RA WITH TAPE EMBSTP PKG -LEAD FREE-<br><b>molex</b><br>DOCUMENT NO. SD-52437-020<br>SHEET NO. 2 OF 3 |
|  | 10 UNDER ±0.2  |  | MM ONLY             | ---   | METRIC       |   |
|  | 10 OVER 30 UNDER ±0.25                               |  | DRAWN BY DATE       | THIRD ANGLE PROJECTION  |              |   |
|  | 30 OVER ±0.3   |  | M.UMEDA 2004/12/08  |   |              |   |
| D  | ANGULAR ±3 °   |  | CHECKED BY DATE     |   |              |   |
|  | DRAFT WHERE APPLICABLE MUST REMAIN WITHIN DIMENSIONS |  | K.TOYODA 2004/12/08 |   |              |   |
|  |  |  | APPROVED BY DATE    |   |              |   |
|  |  |  | N.UKITA 2004/12/08  |   |              |   |
|  |  |  | MATERIAL NO.        |   |              |   |
|  |  |  | SIZE                | THIS DRAWING CONTAINS INFORMATION THAT IS PROPRIETARY TO MOLEX INCORPORATED AND SHOULD NOT BE USED WITHOUT WRITTEN PERMISSION |              |   |
|  |  |  | A3                  |   |              |   |



44mm幅キャリアテープ  
44mm WIDTH CARRIER TAPE

|                                |      |      |      |      |      |              |               |
|--------------------------------|------|------|------|------|------|--------------|---------------|
| 44                             | 49.4 | 45.4 | 22.9 | 16.3 | 21.9 | 52437-3071   | 30            |
| キャリアテープ幅<br>CARRIER TAPE WIDTH | E    | D    | (C)  | (B)  | (A)  | MATERIAL NO. | 極数<br>CIRCUIT |
|                                |      |      |      |      |      | MODEL NO.    | 25437-**-71   |

|  |  |                            |                    |  |  |                     |  |
|--|--|----------------------------|--------------------|--|--|---------------------|--|
| REVISED<br>EC NO: J2014-0114<br>2013/07/29<br>DRWN: INOUE01<br>2013/07/29<br>CHKD: HIJIMA<br>2013/07/29<br>APPR: YNOGAWA | DESCRIPTION<br>GENERAL TOLERANCES<br>(UNLESS SPECIFIED)<br>10 UNDER ±0.2<br>10 OVER 30 UNDER ±0.25<br>30 OVER ±0.3<br>ANGULAR ±3 °<br>DRAFT WHERE APPLICABLE<br>MUST REMAIN<br>WITHIN DIMENSIONS | DIMENSION STYLE<br>MM ONLY | SCALE<br>---       | DESIGN UNITS<br>METRIC   | TITLE<br>0.5 FPC CONN. ZIF SMT RA<br>WITH TAPE EMBSTP PKG<br>-LEAD FREE-<br><b>molex</b><br>DOCUMENT NO.<br>SD-52437-020 | SHEET NO.<br>3 OF 3 |  |
|  |  | DRAWN BY<br>M.UMEDA        | DATE<br>2004/12/08 | THIRD ANGLE<br>PROJECTION  |  |                     |  |
|  |  | CHECKED BY<br>K.TOYODA     | DATE<br>2004/12/08 | SEE CHART  |  |                     |  |
|  |  | APPROVED BY<br>N.UKITA     | DATE<br>2004/12/08 | THIS DRAWING CONTAINS INFORMATION THAT IS PROPRIETARY TO MOLEX<br>INCORPORATED AND SHOULD NOT BE USED WITHOUT WRITTEN PERMISSION |  |                     |  |