

NOTES

1.使用材料

MATERIAL
 ハウジング: ポリアミド(PA)、ナチュラル(白色)、ガラス充填、UL94V-0
 HOUSING: POLYAMIDE NATURAL(WHITE)、GLASS FILLED,UL94V-0
 アクチュエータ: ポリフェニレンサルファイド(PPS)、ナチュラル(茶色)、ガラス充填、UL94V-0
 ACTUATOR: PPS,NATURAL(BROWN),GLASS FILLED,UL94V-0
 ターミナル: リン青銅(t=0.2)
 TERMINAL: PHOSPHOR BRONZE(t=0.2)
 金具: リン青銅(t=0.2)
 FITTING NAIL: PHOSPHOR BRONZE(t=0.2)

2.メッキ仕様 PLATING

ターミナル TERMINAL
 錫銀ビスマスメッキ (1.0μm以上)
 TIN SILVER BISMUTH PLATING (1.0 MICROMETER MINIMUM)
 下地メッキ: ニッケルメッキ (1.0μm以上)
 UNDER PLATING: NICKEL PLATING (1.0 MICROMETER MINIMUM)
 金具 NAIL
 錫メッキ (1.0μm以上)
 TIN PLATING (1.0 MICROMETER MINIMUM)
 下地メッキ: ニッケルメッキ (1.0μm以上)
 UNDER PLATING: NICKEL PLATING (1.0 MICROMETER MINIMUM)

3.エンボステーブ梱包時は、アクチュエータがロックした状態になります。
 IN THE PACKAGE,ACTUATOR OF PART NO.52437-**22 SHOULD BE LOCKED.

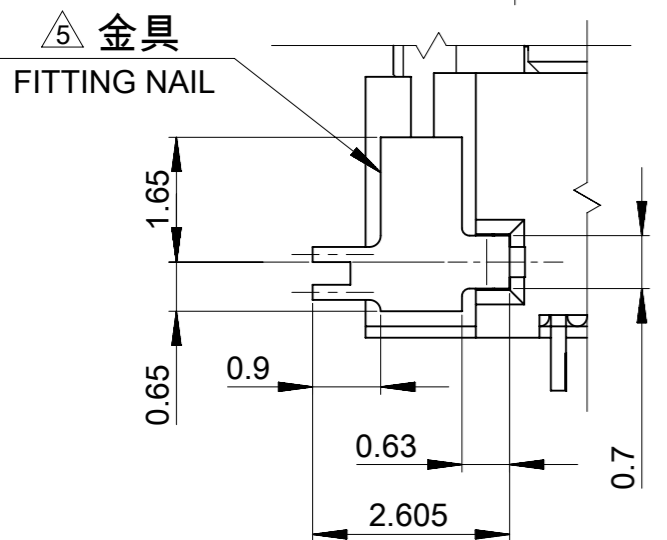
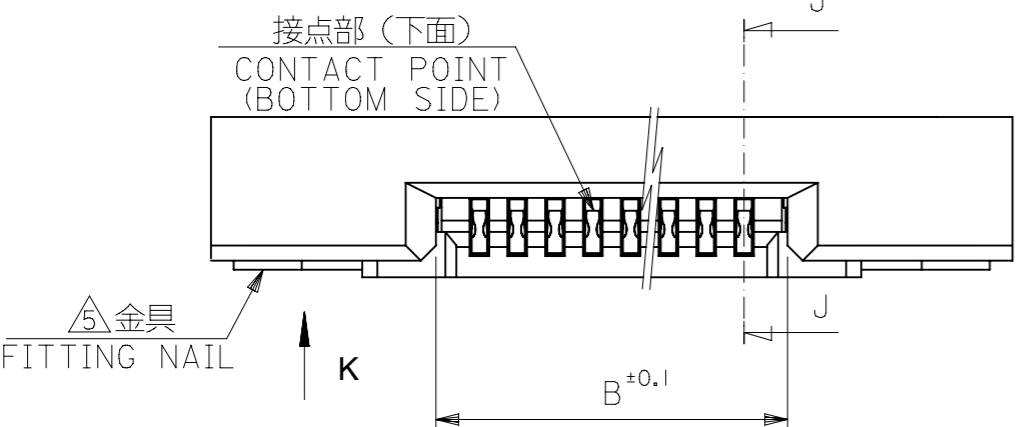
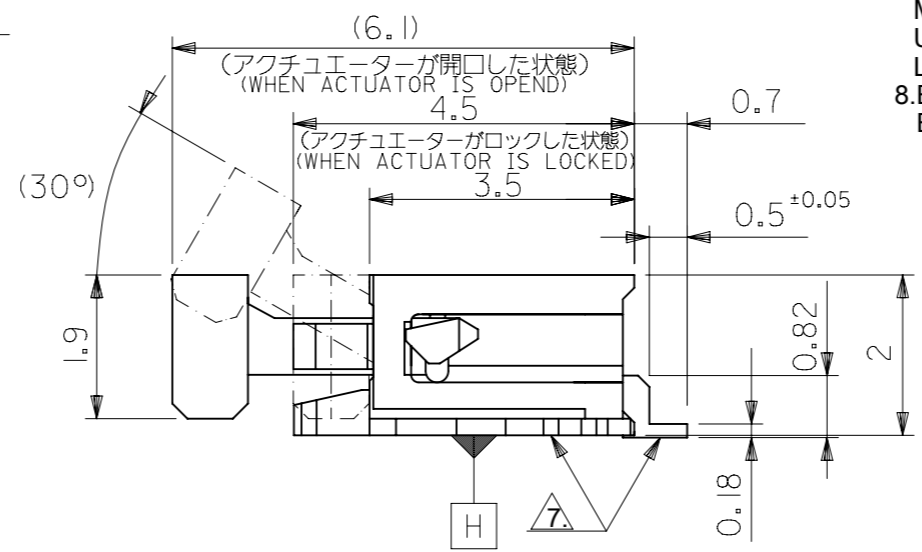
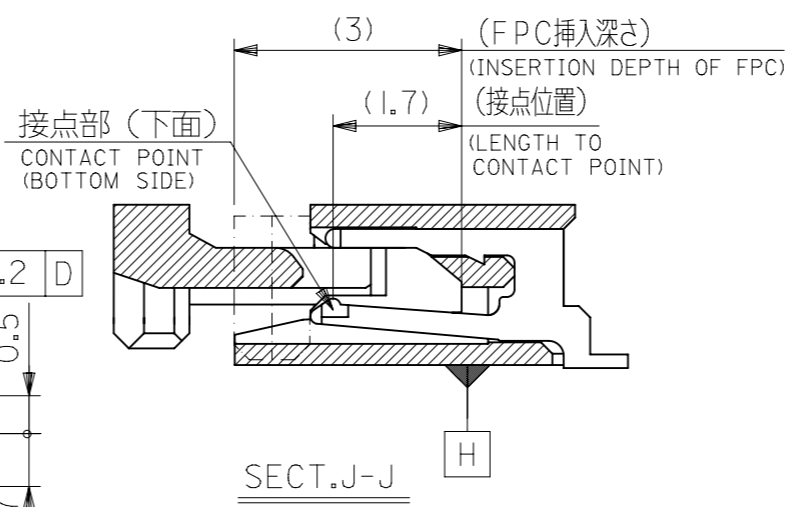
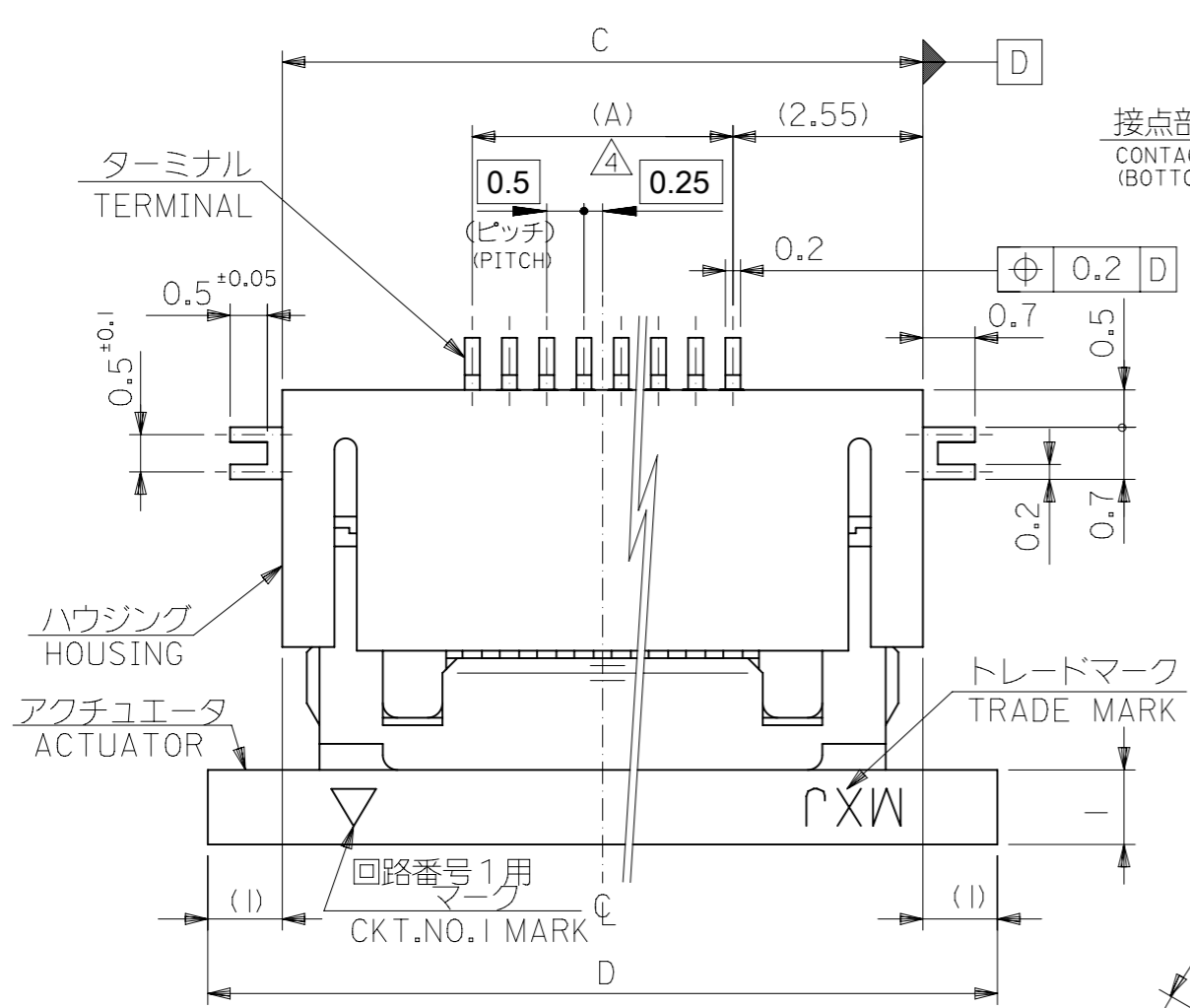
- ⚠ 偶数極に適用
APPLY FOR EVEN CIRCUIT.
 - ⚠ 1°ターン剥離止め金具
FITTING NAIL FOR PREVENTION OF PEELING OF P.W.B. PATTERN.
 - ⚠ R0.3は、FPCの導体部にかからないこと
R0.3 MUST NOT BE OVERLAPED TO PATTERN OF FPC.
 - ⚠ ソルダータール半田付け面のズレ量、及び金具半田付け面のズレ量は、基準面 H に対して上方向に0.1MAXIMUM、下方向に0.15MAXIMUMとする。
MISALIGNMENT OF SOLDER TAILS AND FITTING NAILS FROM DATUM H.
UPPER DIRECTION : 0.1 MAXIMUM
LOWER DIRECTION : 0.15MAXIMUM
- 8.ELV及びRoHS適合品
ELV AND RoHS COMPLIANT

21.6	19.6	15.65	14.5	52437-3033	30
21.1	19.1	15.15	14.0	52437-2933	29
20.6	18.6	14.65	13.5	52437-2833	28
20.1	18.1	14.15	13.0	52437-2733	27
19.6	17.6	13.65	12.5	52437-2633	26
19.1	17.1	13.15	12.0	52437-2533	25
18.6	16.6	12.65	11.5	52437-2433	24
18.1	16.1	12.15	11.0	52437-2333	23
17.6	15.6	11.65	10.5	52437-2233	22
17.1	15.1	11.15	10.0	52437-2133	21
D	C	B	(A)	EMBOSSED PACKAGE	極数
				ORDER No. オーダー番号	CKT.

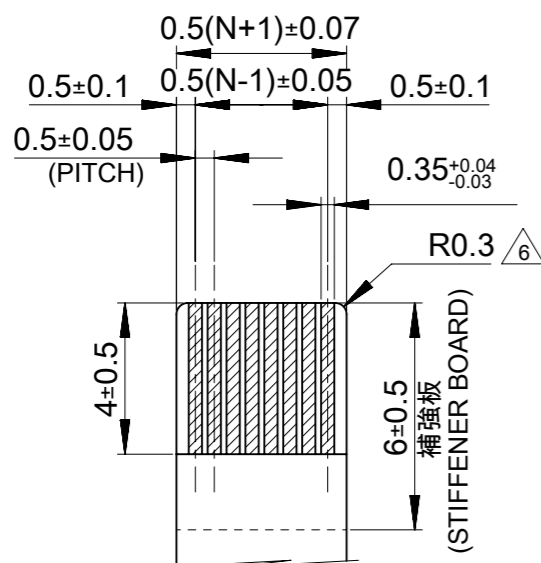
CONNECTOR SERIES NO. : 52437-**22

THIS DRAWING CONTAINS INFORMATION THAT IS PROPRIETARY TO MOLEX ELECTRONIC TECHNOLOGIES, LLC AND SHOULD NOT BE USED WITHOUT WRITTEN PERMISSION

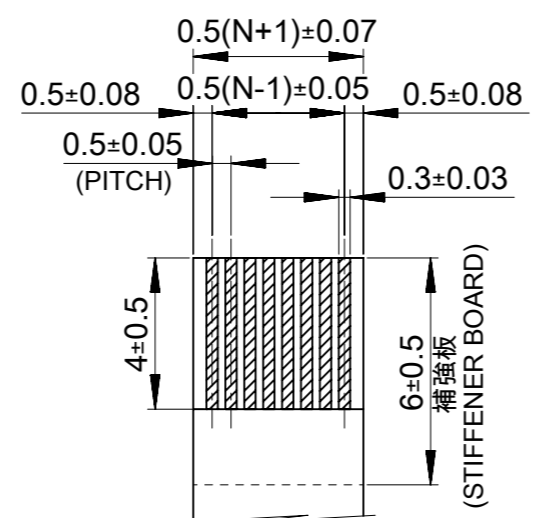
<p>GENERAL TOLERANCES (UNLESS SPECIFIED)</p> <p>10 UNDER ± 0.2</p> <p>10 OVER 30 UNDER ± 0.25</p> <p>30 OVER ± 0.3</p> <p>ANGULAR ± 3 °</p> <p>DRAFT WHERE APPLICABLE MUST REMAIN WITHIN DIMENSIONS</p>	<p>SCALE 10:1</p> <p>GENERAL TOLERANCES (UNLESS SPECIFIED)</p> <p>ANGULAR TOL ± 30 °</p> <p>4 PLACES ± 0.2</p> <p>3 PLACES ± 0.25</p> <p>2 PLACES ± 0.3</p> <p>1 PLACE ±</p> <p>0 PLACES ±</p> <p>DRAFT WHERE APPLICABLE MUST REMAIN WITHIN DIMENSIONS</p>	<p>EC NO: 724799</p> <p>DRWN: SANTHN 2022/10/14</p> <p>CHK'D: GGA 2022/11/03</p> <p>APPR: GGA 2022/11/03</p> <p>INITIAL REVISION:</p> <p>DRWN: KMIYAHARA 2012/09/05</p> <p>APPR: KMORIKAWA 2013/04/05</p> <p>THIRD ANGLE PROJECTION</p> <p>DRAWING A3-SIZE</p> <p>SERIES 52437</p>	<p>DOCUMENT NUMBER SD-52437-023</p> <p>DOC TYPE PSD</p> <p>DOC PART 001</p> <p>REVISION A1</p> <p>MATERIAL NUMBER SEE TABLE</p> <p>CUSTOMER GENERAL MARKET</p> <p>SHEET NUMBER 1 OF 2</p>
---	--	--	---



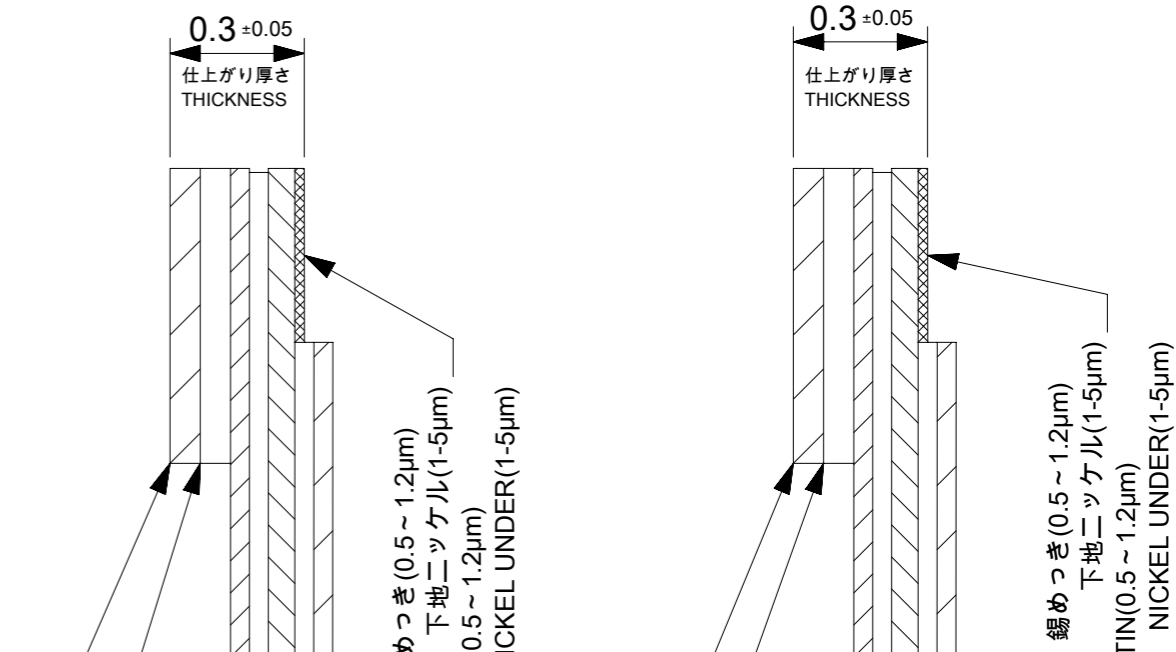
VIEW K
(金具部投影図)
(DETAIL OF FITTING NAIL)



適合FPC推奨寸法
 APPLICABLE FPC
 PLATING RECOMMENDED DIMENSION
 仕上がり厚さ : 0.3±0.05
 THICKNESS: 0.3±0.05/-0.05

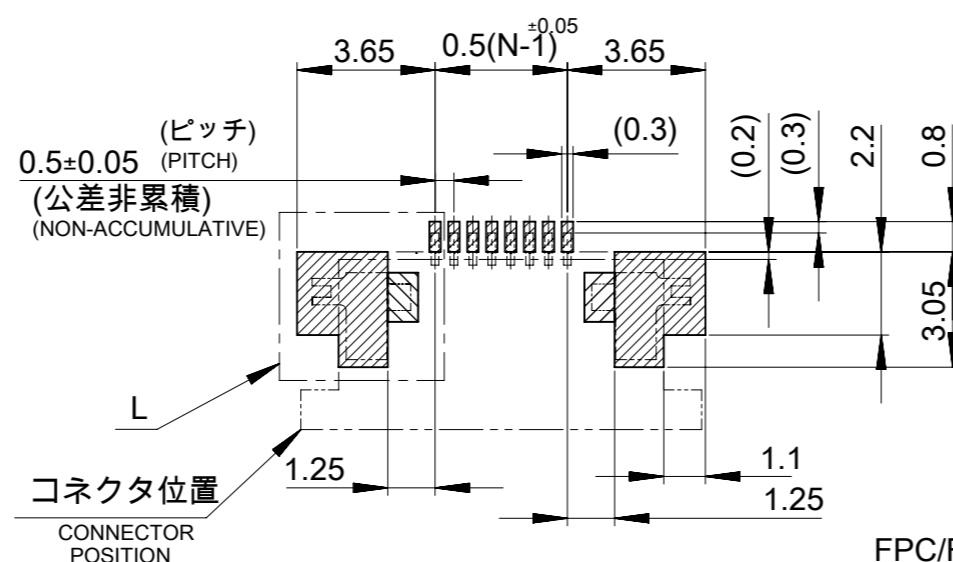
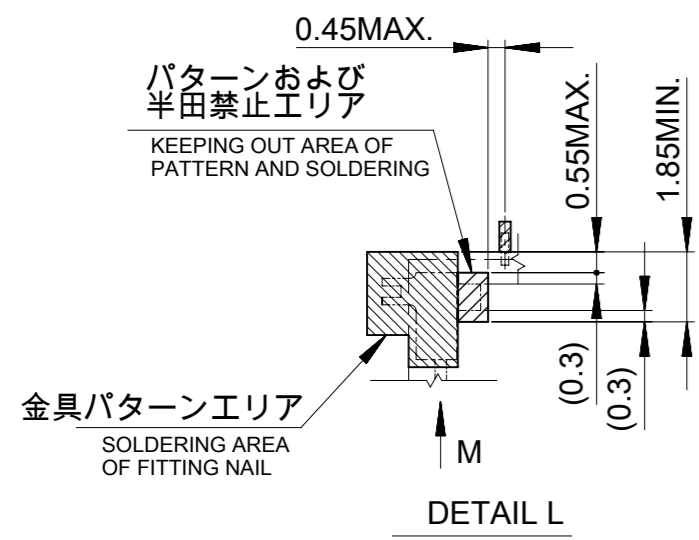


適合FFC推奨寸法
 APPLICABLE FFC
 PLATING RECOMMENDED DIMENSION
 仕上がり厚さ : 0.3±0.05
 THICKNESS: 0.3±0.05/-0.05



- FPC構成推奨仕様**
 STRUCTURE OF FPC
- 補強板 : ポリイミド
 - REINFORCE BOARD: POLYIMIDE
 - 熱硬化接着剤
 - THERMOSETTING ADHESIVE
 - ベースフィルム : ポリイミド (25µm)
 - BASE FILM: POLYIMIDE (25µm)
 - 熱硬化接着剤
 - THERMOSETTING ADHESIVE
 - 導体部 : 銅箔 (35 or 50µm)
 - COPPER FOIL (35 or 50µm)
 - 熱硬化接着剤
 - THERMOSETTING ADHESIVE
 - カバーレイ : ポリイミド (25µm)
 - COVER FILM: POLYIMIDE (25µm)

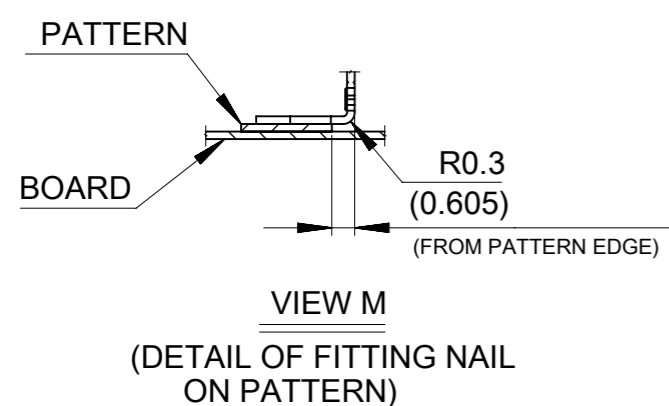
- FFC構成推奨仕様**
 STRUCTURE OF FFC
- 補強板 : ポリエステル系
 - REINFORCE BOARD: PET
 - 接着剤 (難燃ポリエステル系)
 - ADHESIVE (FLAME-RETARDANT POLYESTER ADHESIVE)
 - 絶縁テープ : ポリエステル系 (25µm)
 - INSULATING FILM: PET (25µm)
 - 接着剤 (難燃ポリエステル系)
 - ADHESIVE (FLAME-RETARDANT POLYESTER ADHESIVE)
 - 導体部 : 銅箔 (35µm or 50µm)
 - COPPER FOIL (35µm or 50µm)
 - 接着剤 (難燃ポリエステル系)
 - ADHESIVE (FLAME-RETARDANT POLYESTER ADHESIVE)
 - 絶縁テープ : ポリエステル系 (25µm)
 - INSULATING FILM: PET (25µm)



推奨基板レイアウト
 (マウンド面)
 RECOMMENDED P.C. BOARD
 PATTERN DIMENSION
 (MOUNTING SIDE)

マスク厚 : 100µm
 マスク開口率 : 100%
 SCREEN THICKNESS : 100µm
 SCREEN OPEN RATIO : 100%

FPC/FFCについて ABOUT FPC/FFC
 打ち抜き方向は導体側から補強板側を推奨します。
 接着剤の接点部への付着は導通不良の原因になりますので、染み出しが無い様、お願い致します。
 RECOMMENDED PUNCHING DIRECTION: FROM CONDUCTOR SIDE TO STIFFENER SIDE
 PLEASE PUT APPROPRIATE AMOUNT OF ADHESIVE ON ADHEREND BECAUSE THERE IS A POSSIBILITY THAT THE EXTRA ADHESIVE CAUSES THE DEFECT IN ELECTRICAL CONTINUITY.



GENERAL TOLERANCES (UNLESS SPECIFIED)	
10 UNDER	± 0.2
10 OVER 30 UNDER	± 0.25
30 OVER	± 0.3
ANGULAR	± 3 °
DRAFT WHERE APPLICABLE MUST REMAIN WITHIN DIMENSIONS	

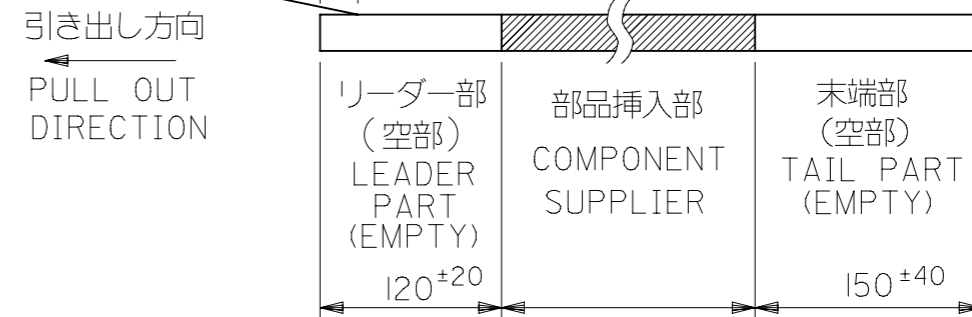
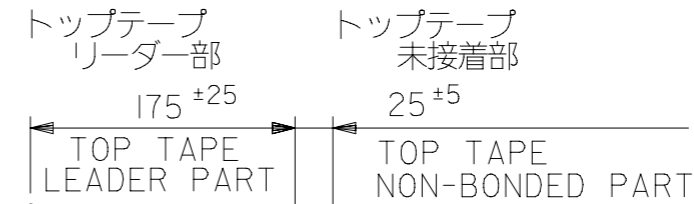
THIS DRAWING CONTAINS INFORMATION THAT IS PROPRIETARY TO MOLEX ELECTRONIC TECHNOLOGIES, LLC AND SHOULD NOT BE USED WITHOUT WRITTEN PERMISSION	
DIMENSION UNITS: mm	SCALE: 5:1
CURRENT REV DESC: REMOVED OBSOLETE PART NUMBER AS PER PCN#512672.	
molex	
0.5MM FPC CONN ZIF R/A HOUSING ASSY (LOWER CONTACT)	
PRODUCT CUSTOMER DRAWING	
EC NO: 724799	2022/10/14
DRWN: SANTHN	2022/11/03
CHK'D: GGA	2022/11/03
APPR: GGA	2022/11/03
INITIAL REVISION:	
DRWN: KMIYAHARA	2012/09/05
APPR: KMORIKAWA	2013/04/05
THIRD ANGLE PROJECTION	DRAWING: A3-SIZE
SERIES: 52437	MATERIAL NUMBER: SEE TABLE
CUSTOMER: GENERAL MARKET	SHEET NUMBER: 2 OF 2

注記 NOTES

1. 製品番号52437-**22の梱包状態はアクチュエータがロックした状態とする。
製品の詳細寸法については図面SD-52437-023を参照下さい。

IN THE PACKAGE, ACTUATOR OF PART NO. 52437-**22 SHOULD BE LOCKED
RE DETAILED DIMENSIONS, SEE SD-52437-023.

- 2. 梱包数量：1000個/リール
NUMBER OF CONNECTORS:1000PCS/REEL
- 3. リードテープ長さ LEAD TAPE LENGTH



4. カバーテープの剥離強度については、IEC60286-3に準拠
COVER TAPE PEEL FORCE IS DEFINED BY IEC 60286-3.

5. 材料 (MATERIAL)

キャリアテープ (CARRIER TAPE) : ポリプロピレン (POLYPROPYLENE)

トッptape (TOPTAPE) : PET, PE, PEF

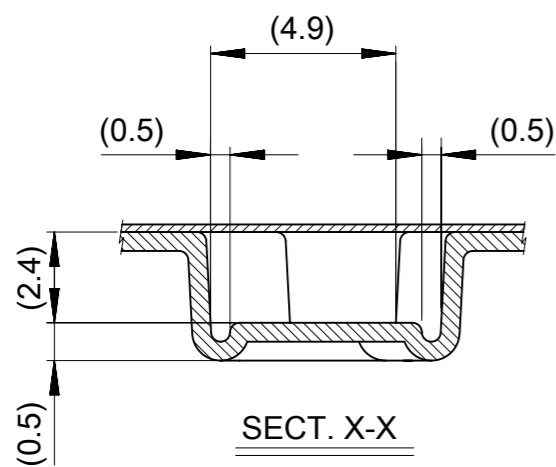
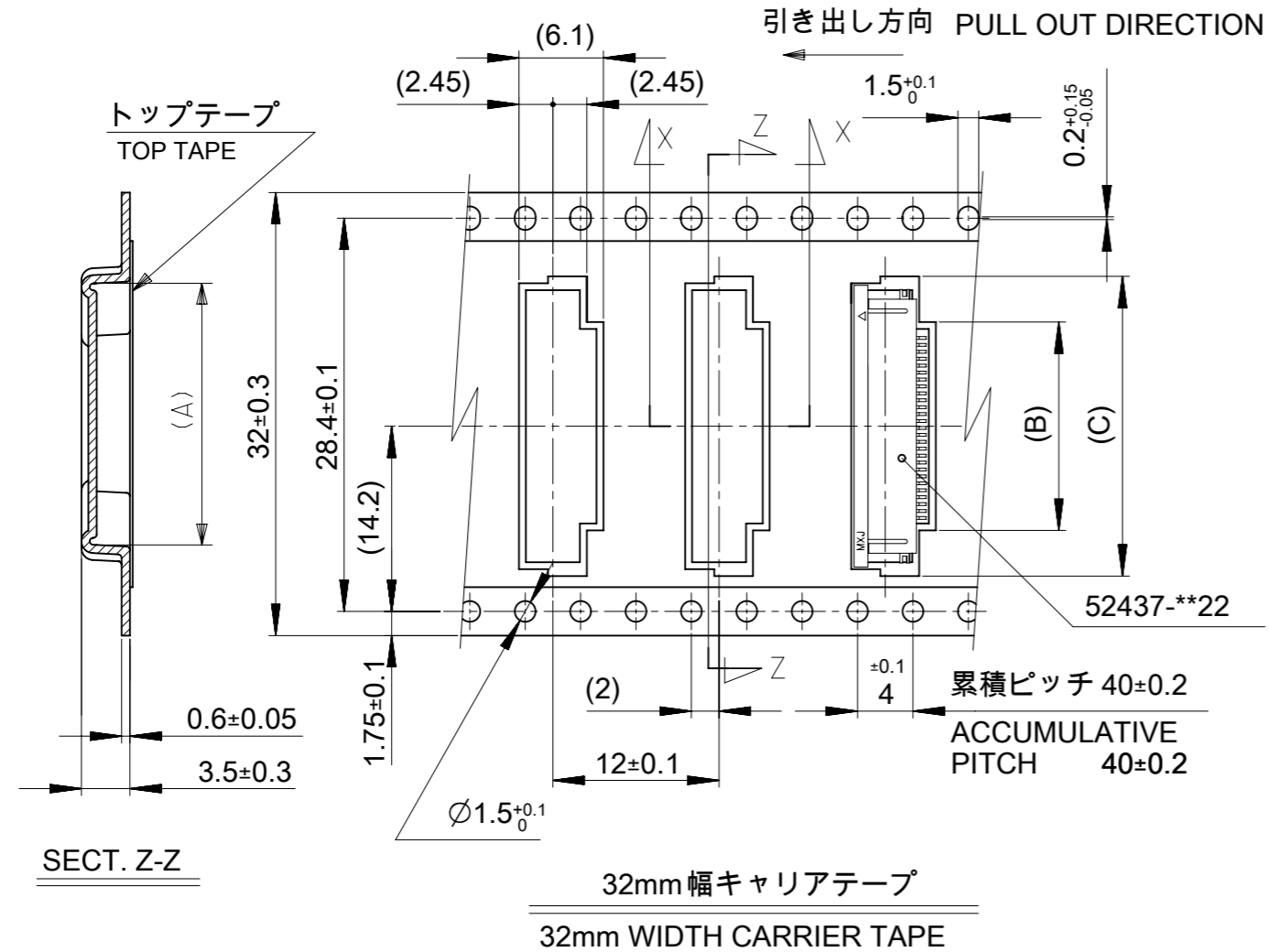
リール (REEL) : ポリスチレン (PS) <リサイクル材を含む>

POLYSTYREN (PS) <RECYCLE MATERIAL CONTAINED>

6. ELV及びRoHS適合品
ELV AND RoHS COMPLIANT

PRE-RELEASE
REFERENCE
USE ONLY

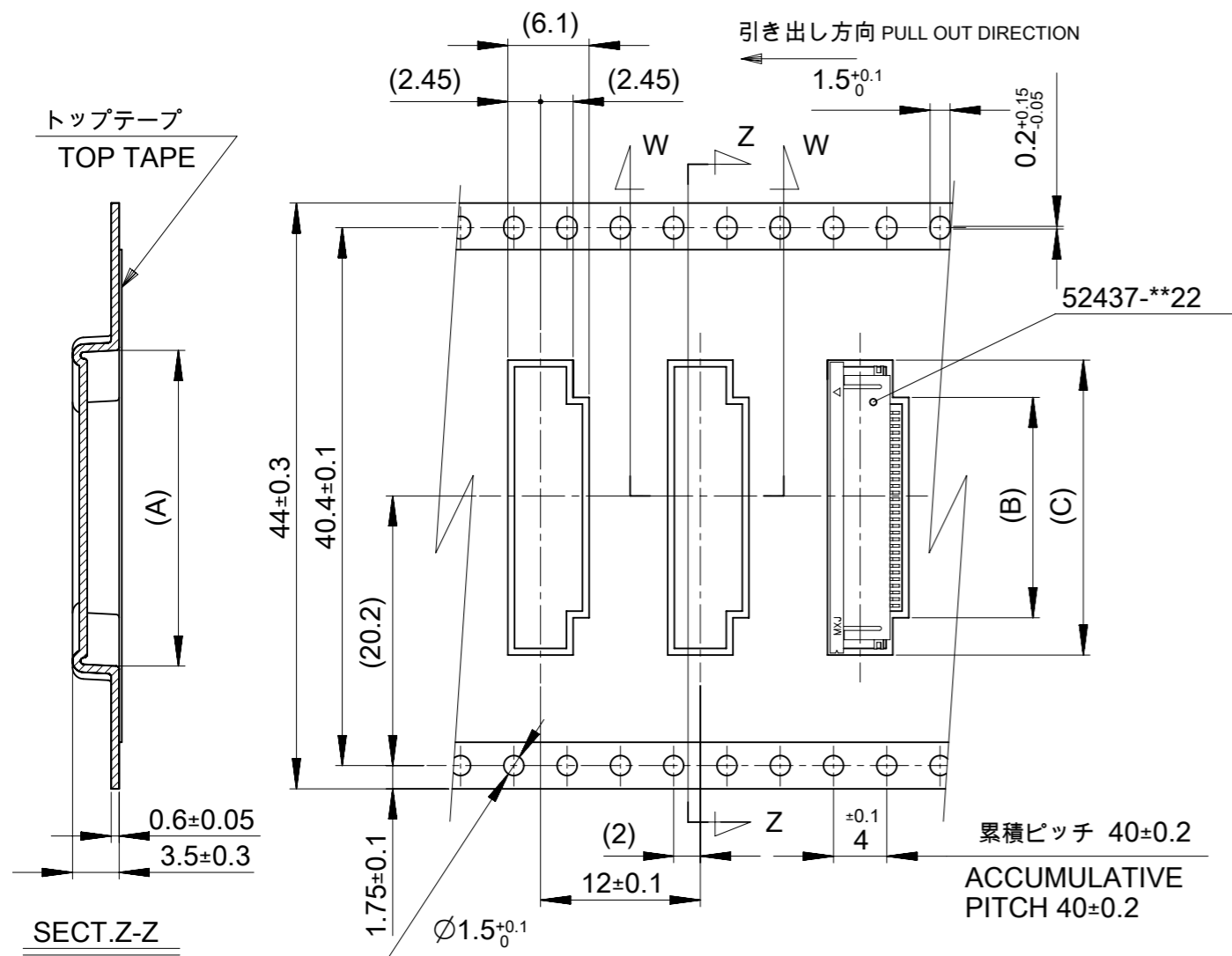
THIS DRAWING CONTAINS INFORMATION THAT IS PROPRIETARY TO MOLEX ELECTRONIC TECHNOLOGIES, LLC AND SHOULD NOT BE USED WITHOUT WRITTEN PERMISSION									
DIMENSION UNITS mm		SCALE NTS		CURRENT REV DESC: REMOVED OBSOLETE PART NUMBER AS PER PCN#512672.				molex	
GENERAL TOLERANCES (UNLESS SPECIFIED)				EC NO: 724799					
ANGULAR TOL ± 3.0°				DRWN: SANTHN 2022/10/14				EMBOSS TAPE PACKAGED FOR 0.5MM FPC CONN ZIF R/A HOUSING ASSY	
4 PLACES ± 0.2				CHK'D: GGA 2022/11/03				PRODUCT CUSTOMER DRAWING	
3 PLACES ± 0.25				APPR: GGA 2022/11/03				DOCUMENT NUMBER	
2 PLACES ± 0.3				INITIAL REVISION:				SD-52437-024	
1 PLACE ±				DRWN: AISHII 2012/09/10				DOC TYPE	
0 PLACES ±				APPR: KMORIKAWA 2013/04/05				PSD	
DRAFT WHERE APPLICABLE MUST REMAIN WITHIN DIMENSIONS		THIRD ANGLE PROJECTION		DRAWING		SERIES		SHEET NUMBER	
		A3-SIZE		52437		SEE CHART		1 OF 3	



PRE-RELEASE
REFERENCE
USE ONLY

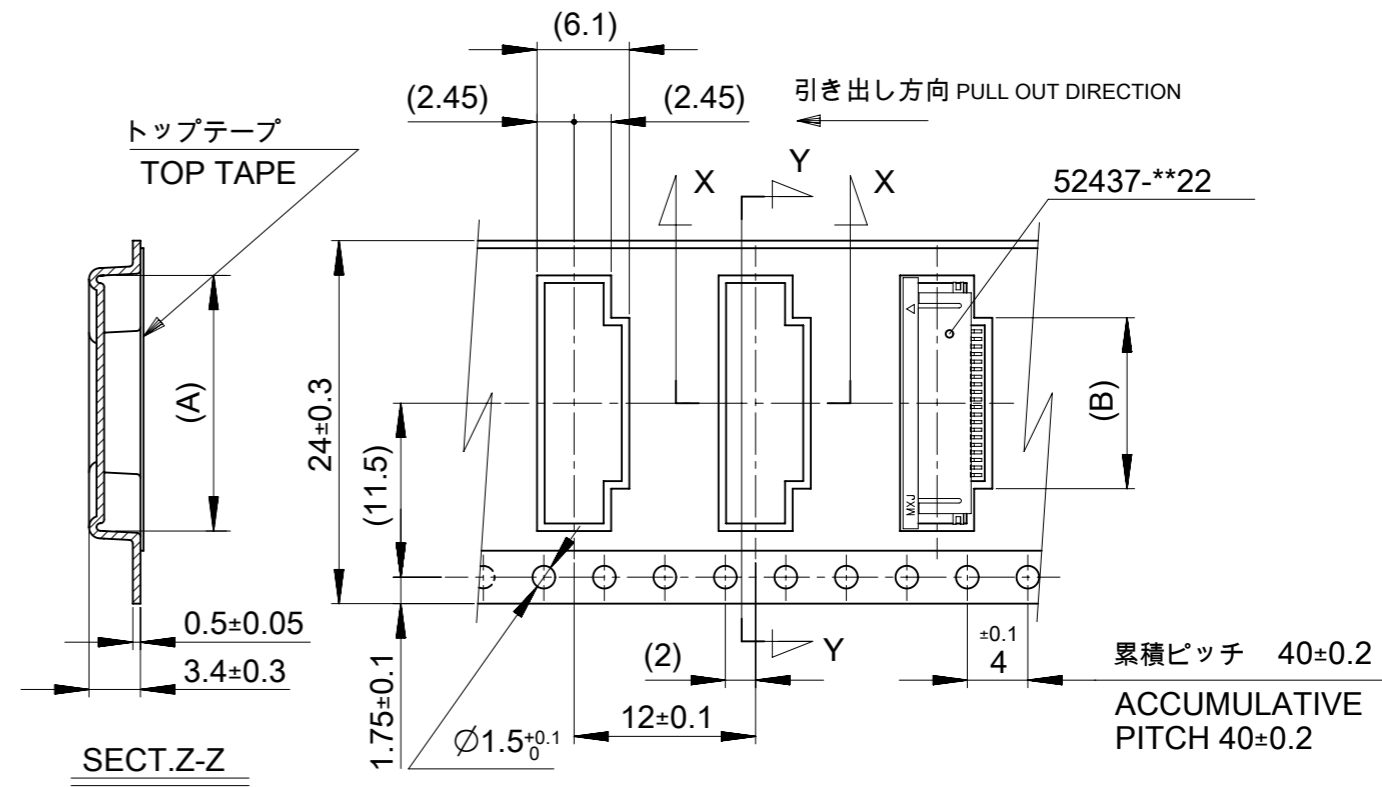
32	37.4	33.4	22.4	15.8	21.4	52437-2933	29
			21.9	15.3	20.9	-2833	28
			21.4	14.8	20.4	-2733	27
			20.9	14.3	19.9	-2633	26
			20.4	13.8	19.4	-2533	25
			19.9	13.3	18.9	-2433	24
			19.4	12.8	18.4	-2333	23
			18.9	12.3	17.9	52437-2233	22
キャリアテープ幅 CARRIER TAPE WIDTH	E	D	(C)	(B)	(A)	製品番号 MATERIAL.NO	極数 CKT

THIS DRAWING CONTAINS INFORMATION THAT IS PROPRIETARY TO MOLEX ELECTRONIC TECHNOLOGIES, LLC AND SHOULD NOT BE USED WITHOUT WRITTEN PERMISSION							
DIMENSION UNITS mm	SCALE NTS	CURRENT REV DESC: REMOVED OBSOLETE PART NUMBER AS PER PCN#512672.					
GENERAL TOLERANCES (UNLESS SPECIFIED)		<p>molex</p> <p>EMBOSS TAPE PACKAGED FOR 0.5MM FPC CONN ZIF R/A HOUSING ASSY</p> <p>PRODUCT CUSTOMER DRAWING</p>					
ANGULAR TOL	± 3.0°						
4 PLACES	± 0.2						
3 PLACES	± 0.25						
2 PLACES	± 0.3						
1 PLACE	±						
DRAFT WHERE APPLICABLE MUST REMAIN WITHIN DIMENSIONS		THIRD ANGLE PROJECTION	DRAWING A3-SIZE	SERIES 52437	MATERIAL NUMBER SEE CHART	CUSTOMER GENERAL MARKET	SHEET NUMBER 2 OF 3



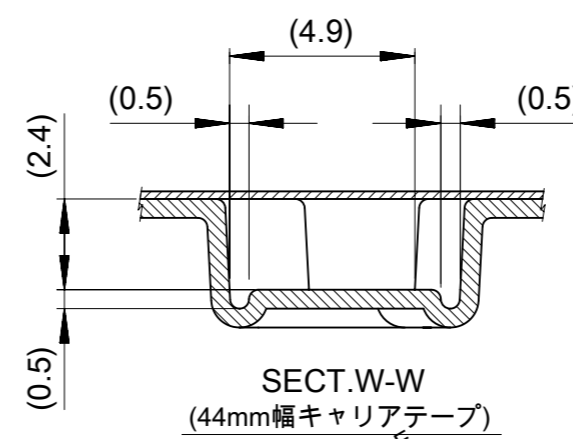
44mm幅キャリアテープ
44mm WIDTH CARRIER TAPE

44	49.4	45.4	22.9	16.3	21.9	52437-3033	30
キャリアテープ幅 CARRIER TAPE WIDTH	E	D	(C)	(B)	(A)	製品番号 MATERIAL NO.	極数 CKT.

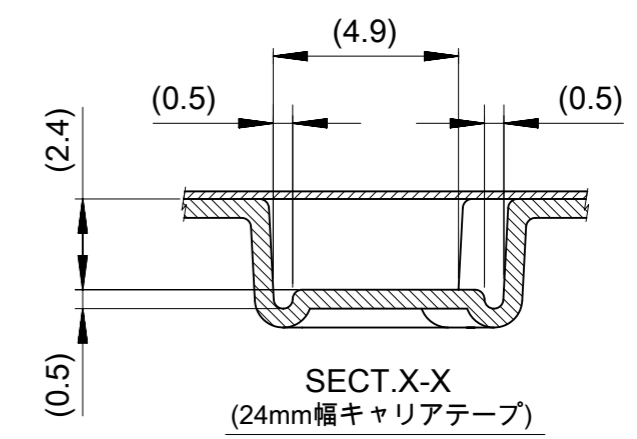


24mm幅キャリアテープ
24mm WIDTH CARRIER TAPE

24	29.4	25.4	11.8	17.4	52437-2133	21
キャリアテープ幅 CARRIER TAPE WIDTH	E	D	(B)	(A)	製品番号 MATERIAL NO.	極数 CKT.



SECT.W-W
(44mm幅キャリアテープ)



SECT.X-X
(24mm幅キャリアテープ)

PRE-RELEASE
REFERENCE
USE ONLY

THIS DRAWING CONTAINS INFORMATION THAT IS PROPRIETARY TO MOLEX ELECTRONIC TECHNOLOGIES, LLC AND SHOULD NOT BE USED WITHOUT WRITTEN PERMISSION

DIMENSION UNITS mm	SCALE NTS	CURRENT REV DESC: REMOVED OBSOLETE PART NUMBER AS PER PCN#512672.	molex		
GENERAL TOLERANCES (UNLESS SPECIFIED)	ANGULAR TOL ± 3.0°	EC NO: 724799			
4 PLACES ± 0.2	3 PLACES ± 0.25	DRWN: SANTHN 2022/10/14	PRODUCT CUSTOMER DRAWING		
2 PLACES ± 0.3	1 PLACE ±	APPR: GGA 2022/11/03	DOCUMENT NUMBER		
0 PLACES ±		INITIAL REVISION: DRWN: AISHII 2012/09/10	SD-52437-024		
		APPR: KMORIKAWA 2013/04/05	DOC TYPE DOC PART REVISION		
DRAFT WHERE APPLICABLE MUST REMAIN WITHIN DIMENSIONS	THIRD ANGLE PROJECTION	DRAWING A3-SIZE	SERIES 52437		
			MATERIAL NUMBER CUSTOMER		
			SEE CHART GENERAL MARKET		
			SHEET NUMBER 3 OF 3		