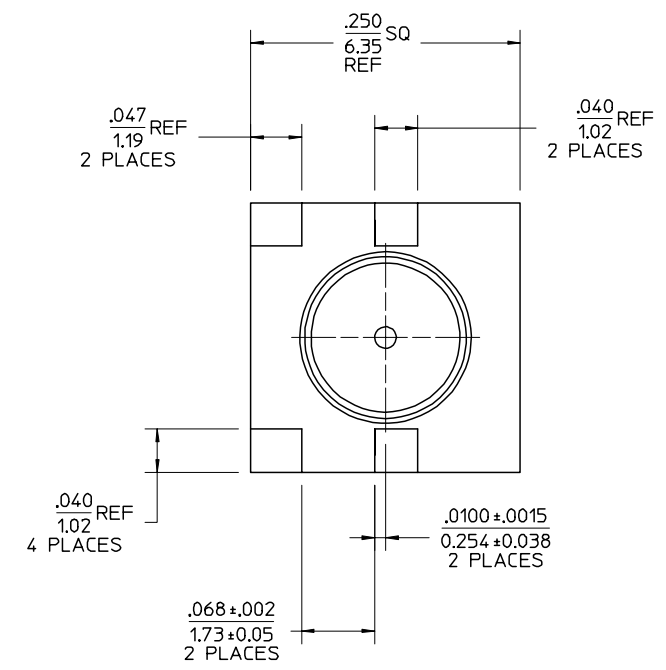
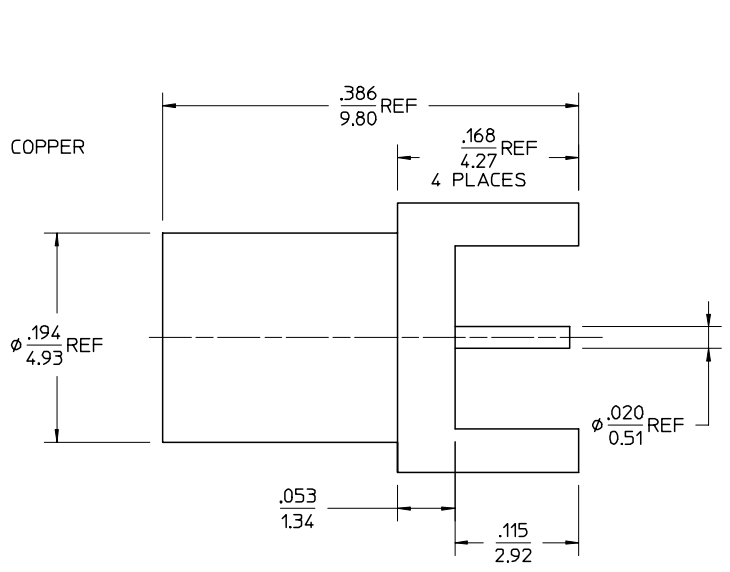


MATERIALS AND FINISHES

BODY BRASS  
PLATED NICKEL

CENTER CONTACT BERYLLIUM COPPER  
PLATED GOLD

INSULATOR TEFLON



PART # 73415-2740

CHG: ADDED 75 OHM TO TITLE		EC NO. URF-1552 DRWN: TEF 09/06/02 CHK: SSS 09/06/02		CHG: REMOVED UNCONTROLLED DOCUMENT NOTE		EC NO. URF-0974 DRWN: TEF 02/06/01 CHK: SSS 02/06/01 APPR: SSS 02/06/01		ADDED DIM .053 ADDED DIM .115 TEF 01/09/01 CHG: XXXXX		EC NO. URF-XXXX DRWN: XXX 00/00/00 CHK: XXX 00/00/00 APPR: XXX 00/00/00		UNLESS OTHERWISE SPECIFIED DIMS ARE INCHES AND ANGLES ARE DEGREES. 1. ✓ 63 ALL OVER. 2. NO CHATTER OR NON-UNIFORM SURFACE FINISH ALLOWED. 3. PARTS TO BE FREE OF BURRS & SHARP EDGES .005 MAX BREAK, & EXTERNAL THREADS TO BE ROLLED OR SINGLE POINT. 4. EXTERNAL THREADS TO BE ROLLED OR SINGLE POINT. 5. DIAMETERS TO BE CONCENTRIC WITHIN .003 TIR.		<table border="1"> <tr> <td>MAJOR</td> <td>4 PLACES</td> <td>+</td> <td>---</td> <td>±</td> <td>.0005</td> </tr> <tr> <td>CRITICAL</td> <td>3 PLACES</td> <td>+</td> <td>---</td> <td>±</td> <td>.005</td> </tr> <tr> <td></td> <td>2 PLACES</td> <td>+</td> <td>---</td> <td>±</td> <td>.01</td> </tr> <tr> <td></td> <td>1 PLACE</td> <td>+</td> <td>---</td> <td>±</td> <td>.1</td> </tr> </table>		MAJOR	4 PLACES	+	---	±	.0005	CRITICAL	3 PLACES	+	---	±	.005		2 PLACES	+	---	±	.01		1 PLACE	+	---	±	.1	<table border="1"> <tr> <th colspan="2">GENERAL TOLERANCES: (UNLESS SPECIFIED)</th> <th>SCALE</th> <th>DESIGN UNITS</th> <th>THIRD ANGLE PROJECTION</th> <th colspan="2">DIMENSIONS:</th> </tr> <tr> <td>mm</td> <td>INCH</td> <td></td> <td><input type="checkbox"/> mm <input checked="" type="checkbox"/> INCH</td> <td><input type="checkbox"/> mm <input checked="" type="checkbox"/> INCH</td> <td><input type="checkbox"/> mm <input checked="" type="checkbox"/> INCH</td> <td><input type="checkbox"/> mm ONLY</td> </tr> <tr> <td colspan="2">DRAWN BY &amp; DATE</td> <td colspan="2">TEF 01/08/01</td> <td colspan="3">TITLE:</td> </tr> <tr> <td colspan="2">CHECKED BY &amp; DATE</td> <td colspan="2">SSS 01/08/01</td> <td colspan="3">MXC JACK, PCB, 75 OHM</td> </tr> <tr> <td colspan="2">APPROVED BY &amp; DATE</td> <td colspan="2">GMH 01/08/01</td> <td colspan="3">MCX-J/PCB</td> </tr> <tr> <td colspan="2">CAD FILENAME</td> <td colspan="2">MATERIAL NO. SEE NOTE</td> <td colspan="2">DRAWING NO. SD-73415-274</td> <td>SHEET NO. 1 of 1</td> </tr> <tr> <td colspan="2">DRAFT WHERE APPLICABLE MUST REMAIN WITHIN DIMENSIONS</td> <td colspan="4">THIS DRAWING CONTAINS INFORMATION THAT IS PROPRIETARY TO MOLEX INCORPORATED AND SHOULD NOT BE USED WITHOUT WRITTEN PERMISSION.</td> <td>SIZE B</td> </tr> </table>		GENERAL TOLERANCES: (UNLESS SPECIFIED)		SCALE	DESIGN UNITS	THIRD ANGLE PROJECTION	DIMENSIONS:		mm	INCH		<input type="checkbox"/> mm <input checked="" type="checkbox"/> INCH	<input type="checkbox"/> mm <input checked="" type="checkbox"/> INCH	<input type="checkbox"/> mm <input checked="" type="checkbox"/> INCH	<input type="checkbox"/> mm ONLY	DRAWN BY & DATE		TEF 01/08/01		TITLE:			CHECKED BY & DATE		SSS 01/08/01		MXC JACK, PCB, 75 OHM			APPROVED BY & DATE		GMH 01/08/01		MCX-J/PCB			CAD FILENAME		MATERIAL NO. SEE NOTE		DRAWING NO. SD-73415-274		SHEET NO. 1 of 1	DRAFT WHERE APPLICABLE MUST REMAIN WITHIN DIMENSIONS		THIS DRAWING CONTAINS INFORMATION THAT IS PROPRIETARY TO MOLEX INCORPORATED AND SHOULD NOT BE USED WITHOUT WRITTEN PERMISSION.				SIZE B
MAJOR	4 PLACES	+	---	±	.0005																																																																																					
CRITICAL	3 PLACES	+	---	±	.005																																																																																					
	2 PLACES	+	---	±	.01																																																																																					
	1 PLACE	+	---	±	.1																																																																																					
GENERAL TOLERANCES: (UNLESS SPECIFIED)		SCALE	DESIGN UNITS	THIRD ANGLE PROJECTION	DIMENSIONS:																																																																																					
mm	INCH		<input type="checkbox"/> mm <input checked="" type="checkbox"/> INCH	<input type="checkbox"/> mm <input checked="" type="checkbox"/> INCH	<input type="checkbox"/> mm <input checked="" type="checkbox"/> INCH	<input type="checkbox"/> mm ONLY																																																																																				
DRAWN BY & DATE		TEF 01/08/01		TITLE:																																																																																						
CHECKED BY & DATE		SSS 01/08/01		MXC JACK, PCB, 75 OHM																																																																																						
APPROVED BY & DATE		GMH 01/08/01		MCX-J/PCB																																																																																						
CAD FILENAME		MATERIAL NO. SEE NOTE		DRAWING NO. SD-73415-274		SHEET NO. 1 of 1																																																																																				
DRAFT WHERE APPLICABLE MUST REMAIN WITHIN DIMENSIONS		THIS DRAWING CONTAINS INFORMATION THAT IS PROPRIETARY TO MOLEX INCORPORATED AND SHOULD NOT BE USED WITHOUT WRITTEN PERMISSION.				SIZE B																																																																																				
UBORD.DGN REV A 96/06/12 LEVEL 4		9		8		7		6		5		4		3		2		1																																																																								