

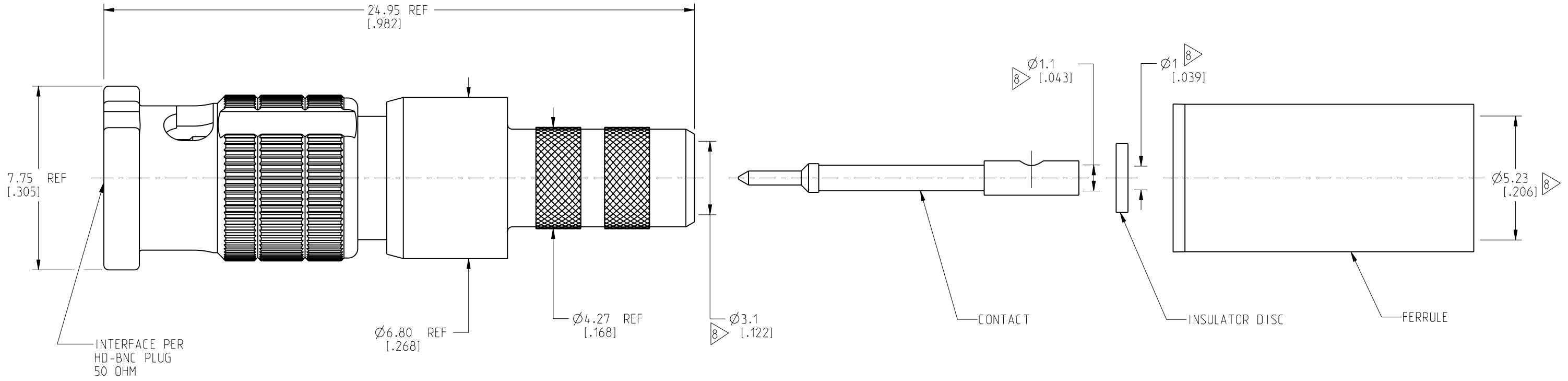
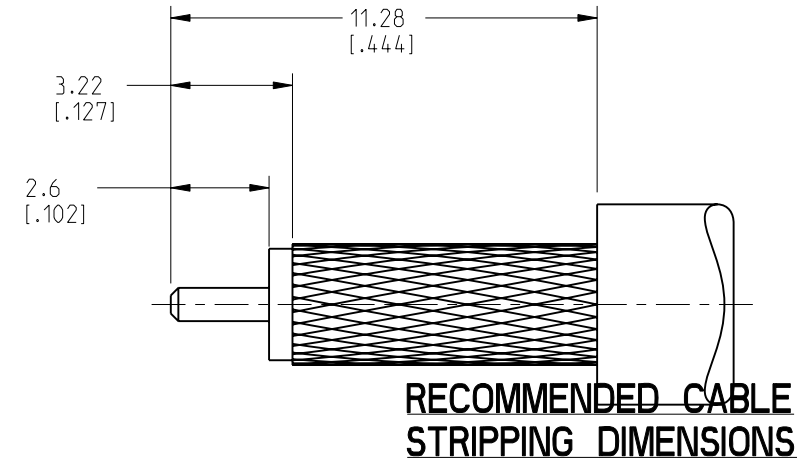
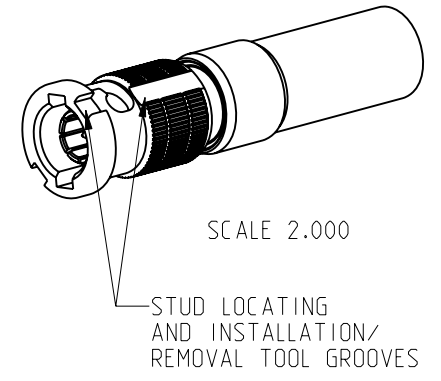
NOTES:

1. MATERIALS AND FINISHES:
 BODY-REAR, RETAINING RING,
 WASHER & BAYONET SLEEVE - BRASS, NICKEL PLATING
 FERRULE - COPPER ALLOY, NICKEL PLATING
 OUTER CONTACT - BeCu, NICKEL PLATING
 CONTACT - PHOSPHOR BRONZE, GOLD PLATING
 SPRING - STAINLESS STEEL, PASSIVATED
 GASKET - FLURO SILICONE RUBBER, BLACK
 INSULATOR & INSULATOR DISC - PTFE, NATURAL
2. ELECTRICAL:
 A. IMPEDANCE: 50 OHM
 B. FREQUENCY RANGE : DC - 6 GHZ
 C. RETURN LOSS: -25 dB MAX. DC - 3 GHZ
 -20 dB MAX. 3 - 6 GHZ
 D. DIELECTRIC WITHSTANDING VOLTAGE: 1000 VRMS, MIN.
 E. INSULATION RESISTANCE: 10,000 MΩ MIN
3. MECHANICAL:
 A. DURABILITY: 500 CYCLES MIN.
 B. TEMPERATURE RANGE: -65°C TO +165°C
4. ENVIRONMENTAL:
 A. THERMAL SHOCK PER MIL-STD-202 METHOD 107
 TEST CONDITION B (EXCEPT HIGH TEMP @200°C)
 B. VIBRATION: MIL-STD-202 METHOD 204 TEST CONDITION B
 C. SHOCK: MIL-STD-202 METHOD 213 TEST CONDITION B
 D. CORROSION: MIL-STD-202 METHOD 101
 TEST CONDITION B 5% SALT SOLUTION

5. PACKAGING:
 A. QUANTITY: SINGLE PACK
 B. MARKING: BAG TO BE MARKED:
 "AMPHENOL RF, 34-5079, DATE CODE"
 U.S. PATENT NO. 7,553,177"
6. HIGH DENSITY INSTALLATION/REMOVAL TOOL: 227-T2000.
7. CABLE ASSEMBLY INSTRUCTIONS:
 A. TRIM CABLE AS SHOWN.
 B. SLIDE FERRULE ONTO CABLE.
 C. SLIDE INSULATOR DISC ONTO CABLE CENTER CONDUCTOR.
 D. SOLDER CENTER CONTACT TO CABLE CENTER CONDUCTOR.
 E. INSERT CABLE WITH FOIL ENTRYING CONNECTOR AND BRAID OVER KNURL.
 F. CRIMP FERRULE WITH .213" HEX.

8 SHOWS CABLE ENTRY DIMENSIONS.

REVISIONS				
REV	DESCRIPTION	DATE	ECN	BY
A	RELEASE TO MFG	17-MAR-22	16155	SH



PROTECTED UNDER U.S. PATENT # 7,553,177

CUSTOMER OUTLINE DRAWING
 ALL OTHER SHEETS ARE FOR INTERNAL USE ONLY

NOTICE: These drawings, specifications, or other data (1) are, and remain the property of Amphenol corp. (2) must be returned upon request; and (3) are confidential and not to be disclosed to any person other than those to whom they are given by Amphenol Corp. The furnishing of these drawings, specifications, or other data by Amphenol Corp., or to any other person to anyone for any purpose is not to be regarded by implication or otherwise in any manner licensing, granting rights to permitting such holder or any other person to manufacture, use or sell any product, process or design, patented or otherwise, that may in any way be related to or disclosed by said drawings, specifications, or other data.		UNLESS OTHERWISE SPECIFIED DIMENSIONS ARE METRIC (INCHES) AND TOLERANCES ARE: <0.5mm = ±0.05mm [-0.020 = ±0.002] 0.5 - 6mm = ±0.1mm [+0.020 - 0.236 = ±0.004] >6.00 - 30mm = ±0.2mm [+0.236 - 1.181 = ±0.008] >30.00 - 120mm = ±0.3mm [+1.181 - 4.725 = ±0.012]		MATERIAL SEE NOTE		TITLE 50 OHM HD-BNC STR PLUG FOR LMR-195-UF CABLE		Amphenol RF	
THIRD ANGLE PROJ.		REFERENCE 34-5042		ENGR.# 10879		ENGR.1 C.CROTTY		ENGR.2 WIKI	
DATE 15-DEC-21		SHEET NO. 2 OF 2		SCALE: 6.0:1.0		DRAWING NO. 34-5079		ITEM NO. 34-5079	
PART NO. 34-5079		REV A		SIZE B		SHEET NO. 2 OF 2		SCALE: 6.0:1.0	