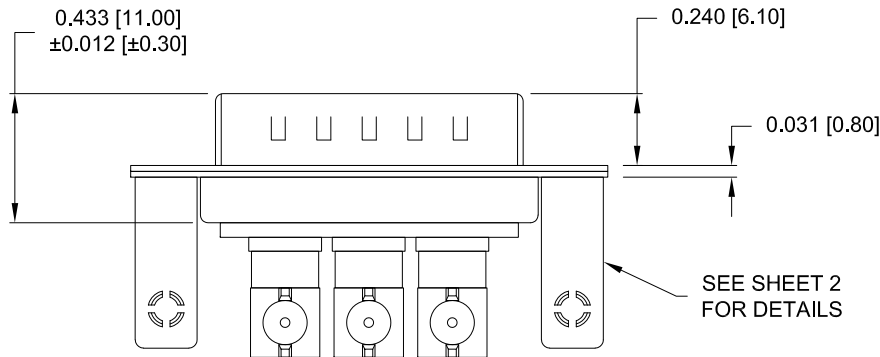
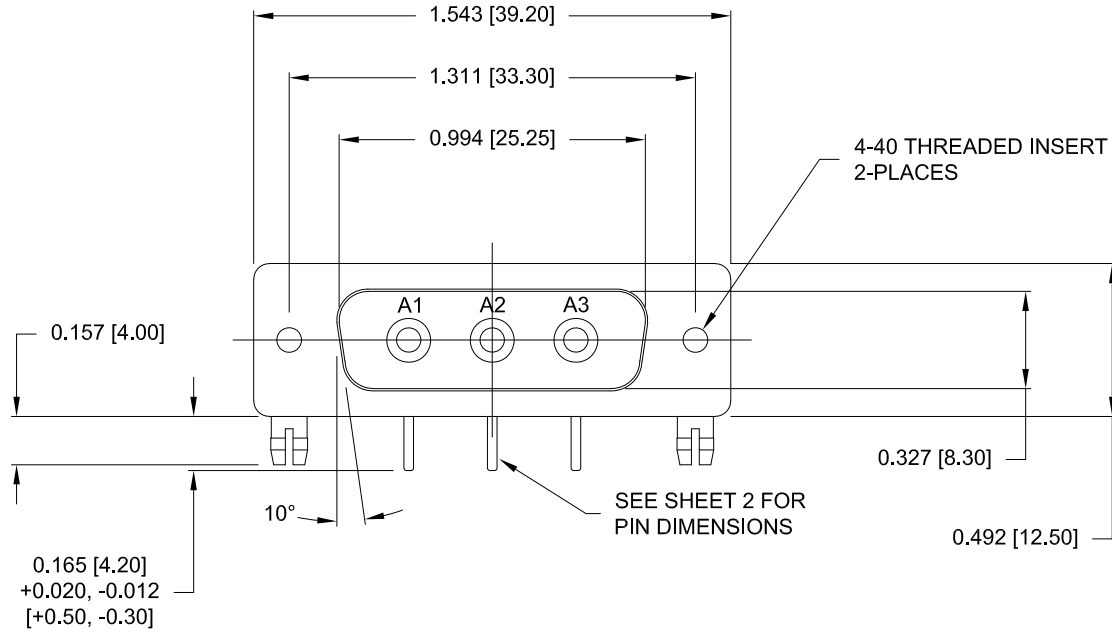


DESCRIPTION: 3W3 // M // COAXIAL // RA PCB MOUNT



**SPECIFICATIONS:**

**ELECTRICAL:**

INSULATOR RESISTANCE: 5 GOHMS Min.  
 DIELECTRIC WITHSTANDING: 1,000VAC r.m.s.  
 OPERATING TEMPERATURE: -55° C ~ +125° C  
 COAXIAL CONTACT RESISTANCE: 2.7 MillioHMS Max.  
 COAXIAL IMPEDANCE: SEE PART NUMBER KEY

**MECHANICAL:**

CONTACT INSERTION FORCE: 4.5 Kg Max.  
 CONTACT SEPARATOR FORCE: 0.3Kg Min.

**MATERIALS:**

CONTACTS: COPPER ALLOY  
 INSULATOR: PBT UL94V-0 RATED, BLACK  
 230°C PROCESS TEMP.  
 SHELL: STEEL

**FINISH:**

SHELL: NICKEL  
 CONTACTS: FULL GOLD FLASH

**685M3W31Y3L461**

0 = 50 OHM  
 7 = 75 OHM

1 = Gold Flash  
 46 = 4-40 Inserts / Board Locks

**RoHS COMPLIANT**

UNITS = INCHES [MM] **DO NOT SCALE FROM DRAWING**



THESE DRAWINGS AND SPECIFICATIONS ARE THE PROPERTY OF NorComp AND SHALL NOT BE REPRODUCED, COPIED OR USED AS THE BASIS FOR THE MANUFACTURE OR SALE OF APPARATUS WITHOUT WRITTEN PERMISSION.

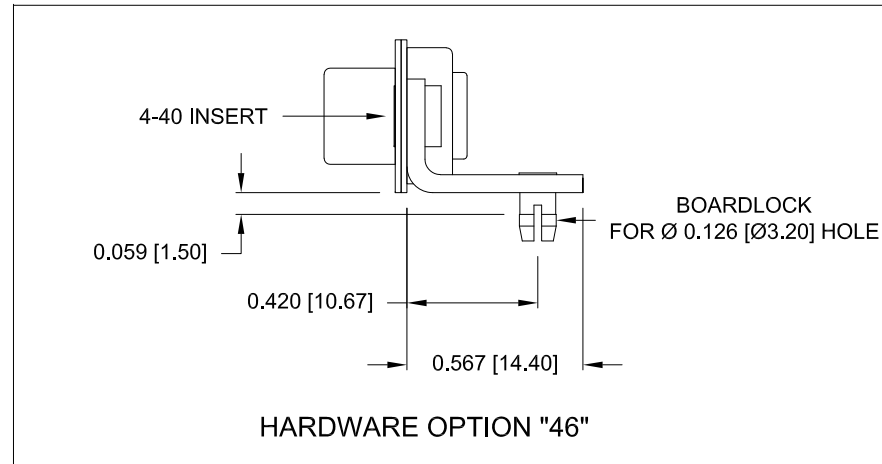
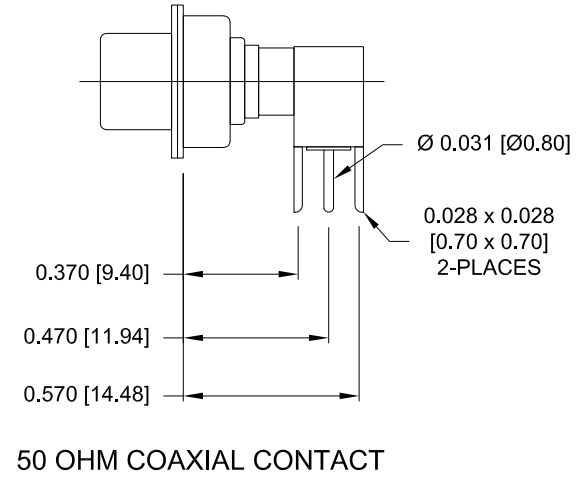
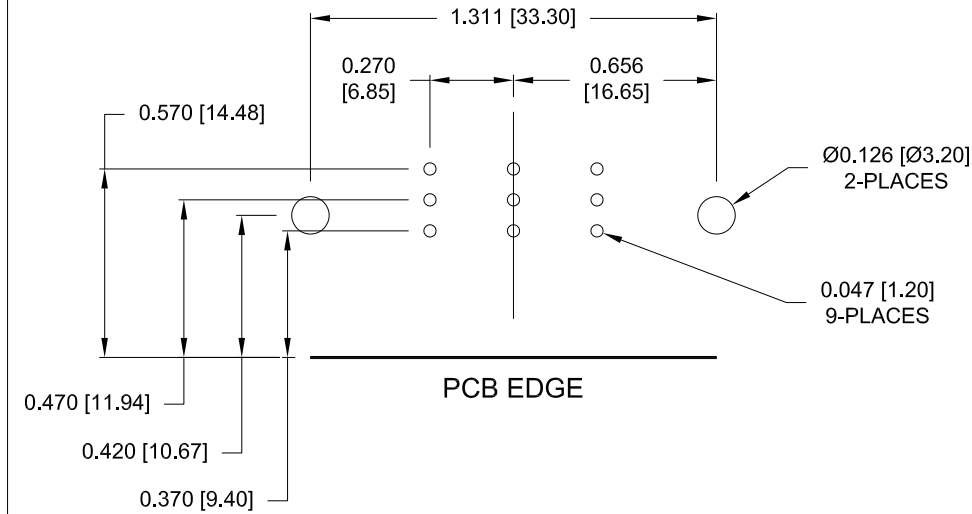
DRAWN: M. SIGMON

DATE: 02/27/2015

**NorComp**

SCALE: NTS	SHEET 1	OF 2	REV 2
DWG NO: 685M3W3103L461			

**NOTE:  
COAXIAL CONTACTS COME  
PRE-LOADED INTO INSULATORS**



**RoHS COMPLIANT**

UNITS = INCHES [MM] DO NOT SCALE FROM DRAWING



THESE DRAWINGS AND SPECIFICATIONS ARE THE PROPERTY OF NorComp AND SHALL NOT BE REPRODUCED, COPIED OR USED AS THE BASIS FOR THE MANUFACTURE OR SALE OF APPARATUS WITHOUT WRITTEN PERMISSION.

DRAWN:  
**M. SIGMON**

DATE:  
**02/27/2015**

**NorComp**

SCALE:  
NTS

SHEET OF  
2 2

REV  
2

DWG NO: **685M3W3103L461**