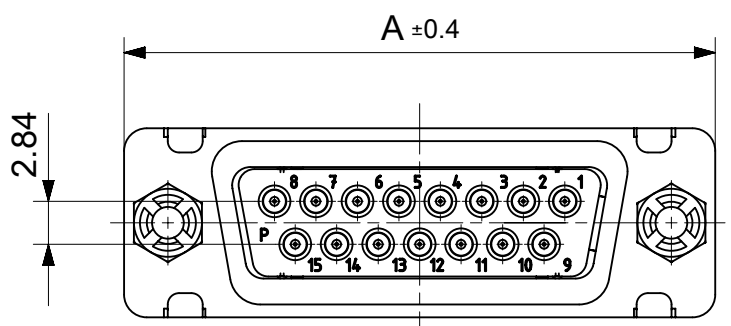
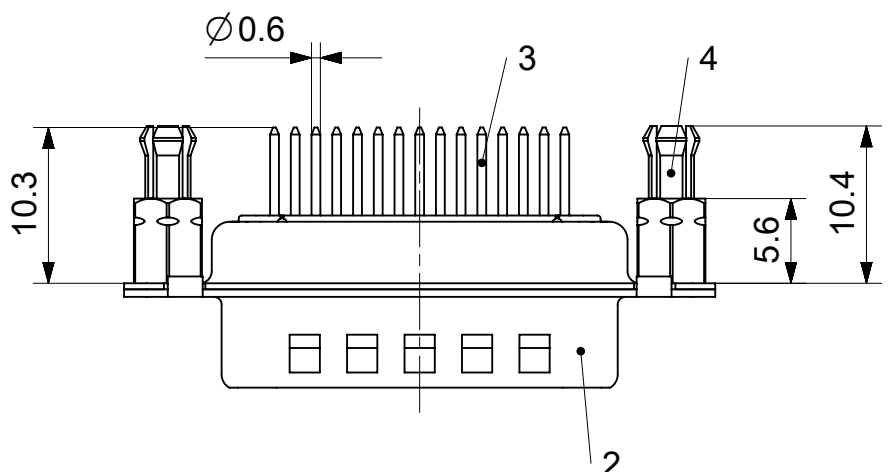
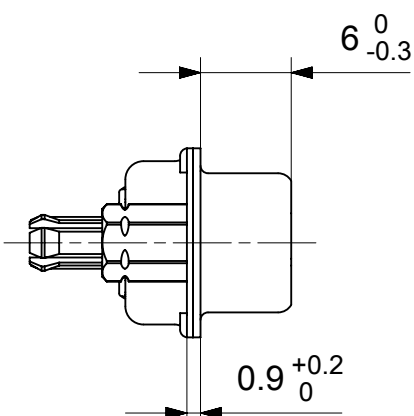
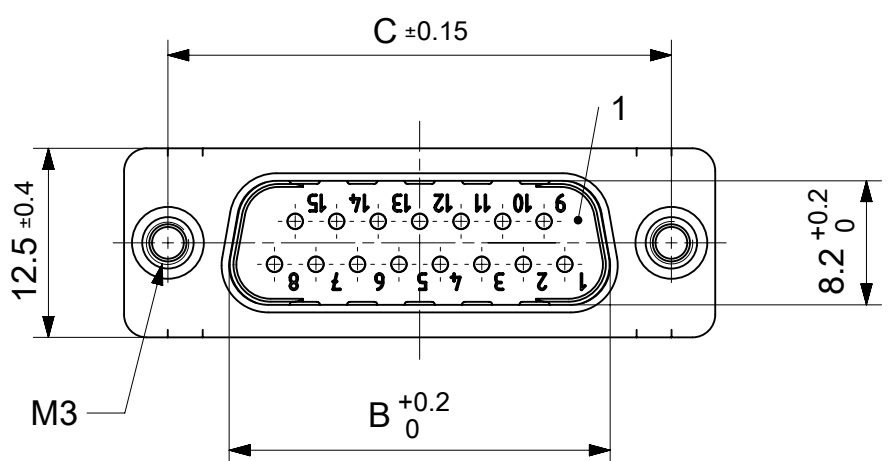


RoHS compliant  
by exemption



FCT Part number:

Fxx\*1)P1G1-K580

e.g. F15P1G1-K580

\*1) xx No. of contacts 09, 15, 25 or 37

\*2) y for performance classes 1, 2 or 3

(contact cycle for G1/G2/G3 = 500/200/50)

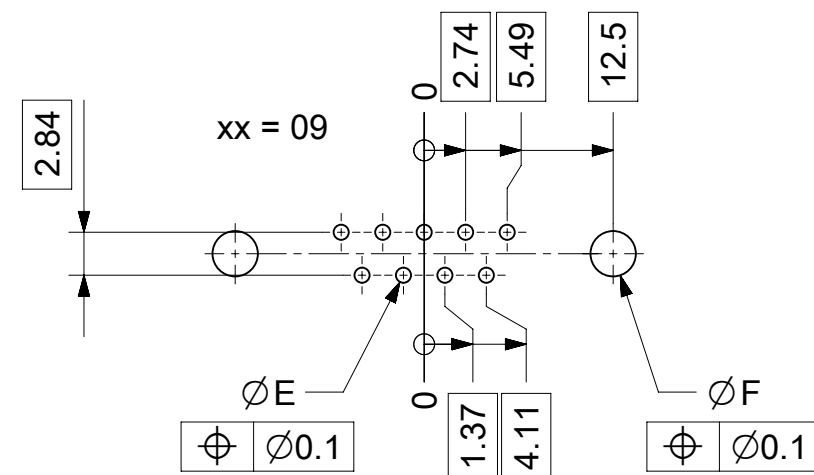
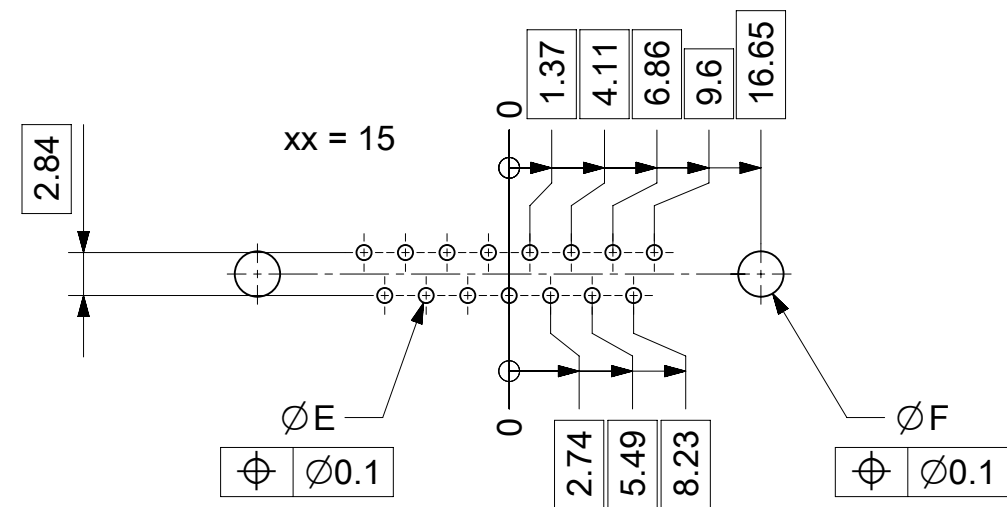
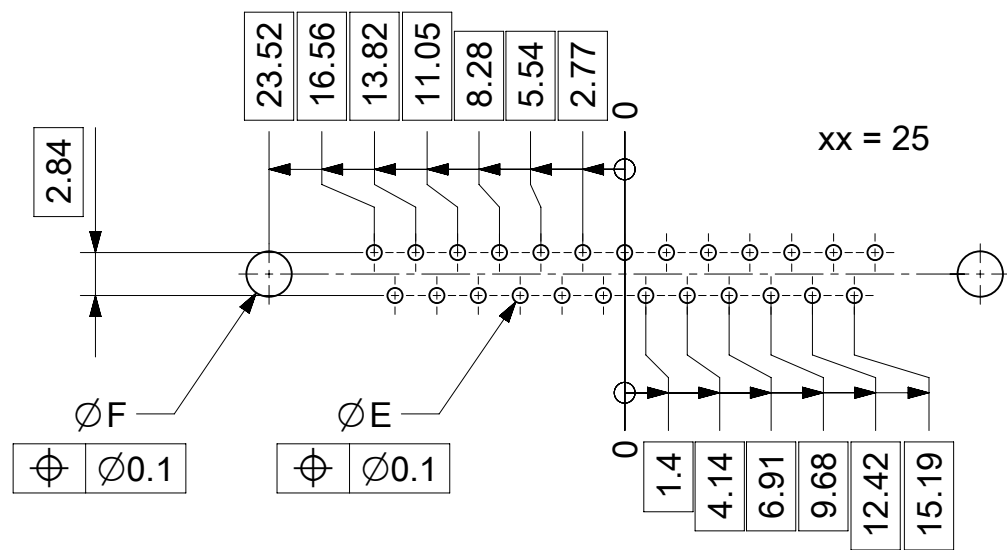
Material Number	xx*1)	y*2)	A[mm]	B[mm]	C[mm]	*E[mm]	*F[mm]
-	09	-	30.8	16.9	25	Ø1	Ø3
1731091257	15	G1	39.1	25.2	33.3		
-	25	-	53	38.9	47.04		
1731091514	37	G1	69.3	55.3	63.5		

\*PCB hole patterns ØE, ØF see document 2195600023

No.	Pc.	Part	Type Description/Material	Surface plating/Color/Class
4	2	Snap-in bolt	PCB 3.2mm / Brass	tin plated
3	xx	Signal contact	P1 / Brass	G1
2	1	Shell	Steel	tin plated
1	1	Insulator	PBT (-55°C to +125°C) acc. UL94V-0	white

MEASUREMENTS WITHOUT TOLERANCE ACC TO ISO 2768-m REPLACEMENT FOR DOCUMENT NUMBER: FxxP1Gy-K580

FUNCTIONAL SYMBOLS	THIS DRAWING CONTAINS INFORMATION THAT IS PROPRIETARY TO MOLEX ELECTRONIC TECHNOLOGIES, LLC AND SHOULD NOT BE USED WITHOUT WRITTEN PERMISSION	CURRENT REV DESC:		<b>molex</b>				
	<table border="1"> <tr> <th>DIMENSION UNITS</th> <th>SCALE</th> </tr> <tr> <td>mm</td> <td>2:1</td> </tr> </table>	DIMENSION UNITS	SCALE		mm	2:1	EC NO: 706086	
	DIMENSION UNITS	SCALE						
	mm	2:1						
GENERAL TOLERANCES (UNLESS SPECIFIED)		DRWN: SKANDB 2021/11/30						
ANGULAR TOL ± °		CHK'D: MTEUBEL 2022/05/11						
DIVISIONAL SYMBOLS	4 PLACES ±	APPR: MTEUBEL 2022/05/11	PRODUCT CUSTOMER DRAWING					
	3 PLACES ±	INITIAL REVISION:	DOCUMENT NUMBER	DOC TYPE				
	2 PLACES ±	DRWN: SKANDB 2021/11/30	1731091257	PSD				
	1 PLACE ±	APPR: MTEUBEL 2022/05/11	DOC PART	000				
0 PLACES ±	DRAFT WHERE APPLICABLE MUST REMAIN WITHIN DIMENSIONS	FIRST ANGLE PROJECTION	SHEET NUMBER	1 OF 1				
		DRAWING	SERIES	MATERIAL NUMBER				
		A3-SIZE	173109	SEE TABLE				
		CUSTOMER	GENERAL MARKET					



$\varnothing E$ ,  $\varnothing F$  see data sheet incl. connector  
 $\varnothing F$  connectors with accessories only

MEASUREMENTS WITHOUT TOLERANCE ACC TO ISO 2768-m				REPLACEMENT FOR DOCUMENT NUMBER: AM0023			
THIS DRAWING CONTAINS INFORMATION THAT IS PROPRIETARY TO MOLEX ELECTRONIC TECHNOLOGIES, LLC AND SHOULD NOT BE USED WITHOUT WRITTEN PERMISSION							
FUNCTIONAL SYMBOLS	DIMENSION UNITS	SCALE	CURRENT REV DESC:				
$\nabla_A = 0$	mm	2:1	EC NO: 713905				
$\nabla_E = 0$	GENERAL TOLERANCES (UNLESS SPECIFIED)		DRWN: SKANDB 2022/05/16				
$\nabla_F = 0$	ANGULAR TOL $\pm$ °		CHK'D: MTEUBEL 2022/07/12				
DIVISIONAL SYMBOLS	4 PLACES	$\pm$	APPR: MTEUBEL 2022/07/12				
	3 PLACES	$\pm$	INITIAL REVISION:				
	2 PLACES	$\pm$	DRWN: SKANDB 2022/05/16				
	1 PLACE	$\pm$	APPR: MTEUBEL 2022/07/12				
	0 PLACES	$\pm$	DRAFT WHERE APPLICABLE MUST REMAIN WITHIN DIMENSIONS				
	FIRST ANGLE PROJECTION	DRAWING	SERIES	MATERIAL NUMBER	CUSTOMER	DOCUMENT NUMBER	DOC TYPE
		A3-SIZE	219560	219560	GENERAL MARKET	2195600023	PSD
						DOC PART	REVISION
						000	A
						SHEET NUMBER	
						1 OF 1	