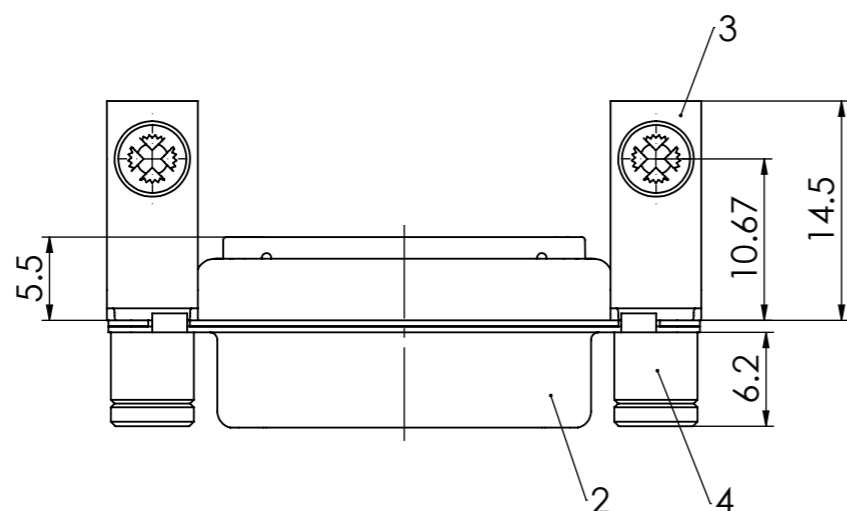
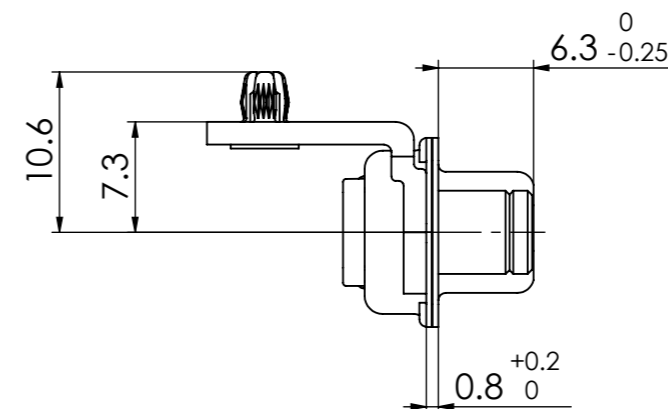
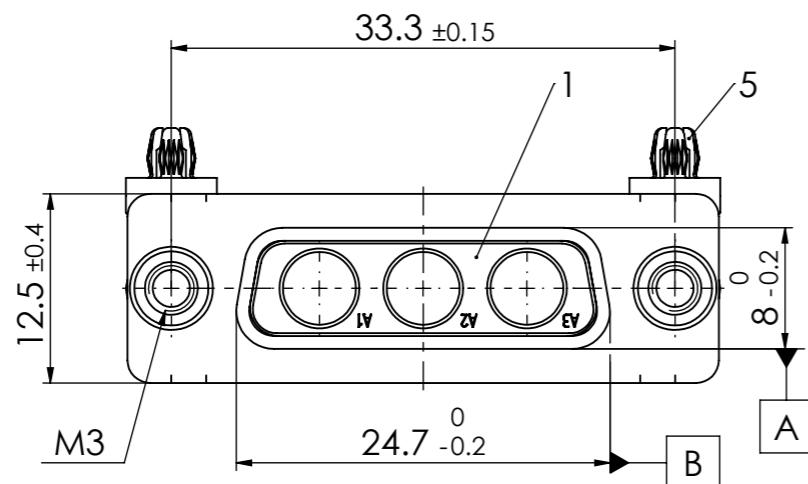
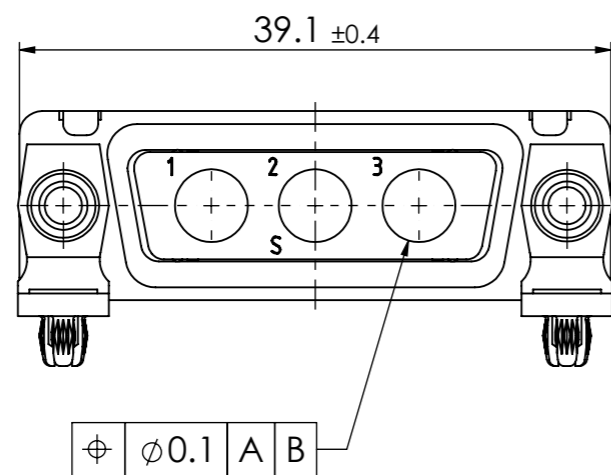
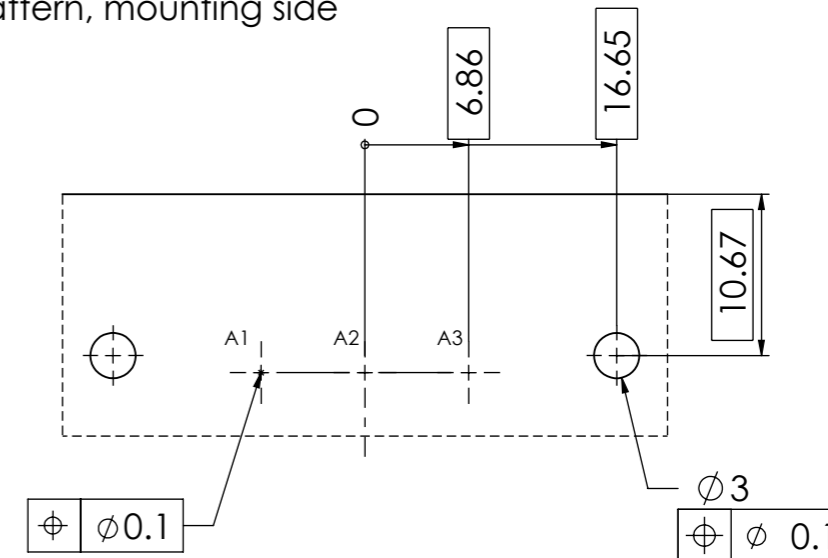


RoHS compliant
by exemption



PCB hole pattern, mounting side



No.	St.	Part	Type Description/Material	Surface plating/Colour/Class
5	2	Snap-in rivet	PCB 1.6mm / Brass	tin plated
4	2	Threaded spacer	MW M3 / Brass	tin plated
3	2	Bracket	F1080-13B / Steel	tin plated
2	1	Shell	Steel	tin plated
1	1	Insulator	PBT (-55°C to +130°C) acc. UL94V-0	green

FUNCTIONAL SYMBOLS					THIS DRAWING CONTAINS INFORMATION THAT IS PROPRIETARY TO MOLEX ELECTRONIC TECHNOLOGIES, LLC AND SHOULD NOT BE USED WITHOUT WRITTEN PERMISSION				
▽ = 0	mm	SCALE	2:1	MEASUREMENTS WITHOUT TOLERANCE ACC. TO	molex				
▽ = 0				ISO 2768-m					
▽ = 0				CURRENT REVISION	FCT D-Sub Mixed-Layout Connector				
				DRWN: DRAWN BY mteubel 04-12-2023					
				APPR: APPR BY msteinbrueck 05-12-2023	PRODUCT CUSTOMER DRAWING				
				INITIAL REVISION	MATERIAL NUMBER				
				DRWN: DRAWN BY mpostulka 19-03-2009	1731071034				
				APPR: APPR BY Markus.Jobst 19-03-2009	REVISION				
				REPLACEMENT FOR: 1731071034_Rev.A1	2				
				FRIST ANGLE PROJECTION	DOCUMENT NUMBER				
				DRAWING A3-SIZE	FM3W3S-1005				
					CUSTOMER				
					GENERAL MARKET				
					SHEET NUMBER				
					1 OF 1				

COMMENT:
ALL RIGHTS ARE RESERVED BY US FOR THIS DRAWING. WITHOUT OUR PRIOR CONSENT,
IT MAY NEITHER BE DUPLICATED NOR MADE AVAILABLE TO A THIRD PARTY.
AND IT ALSO MAY NOT BE IMPROPERLY USED BY THE RECEIVER, OR A THIRD PARTY.