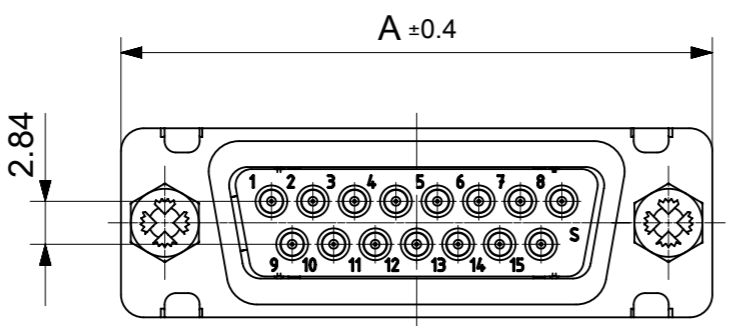
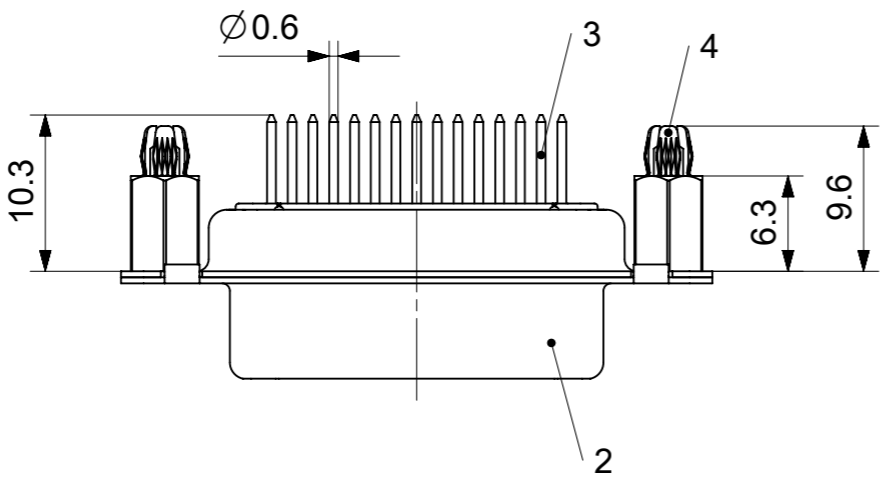
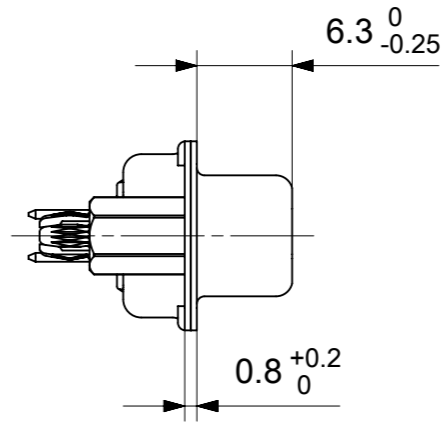
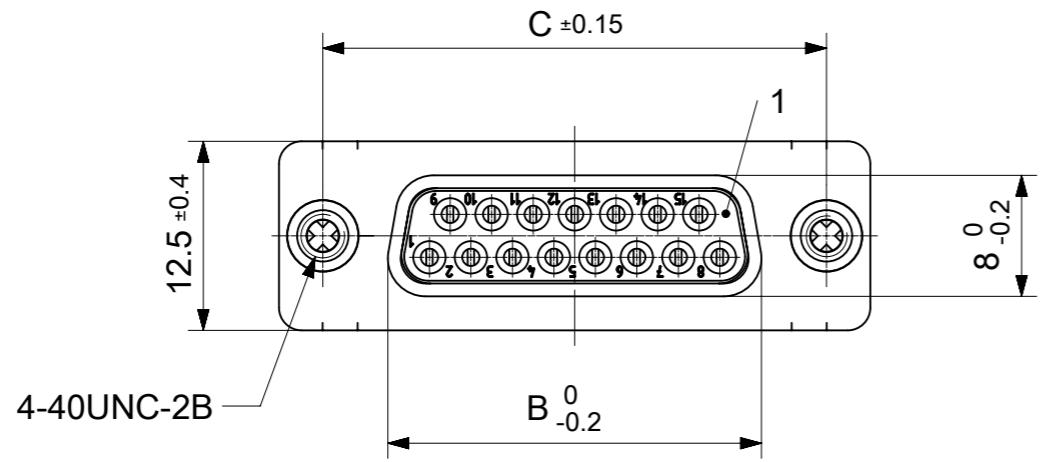


RoHS compliant  
by exemption



FCT Part number:

Fxx\*1)S1y\*2)-2304

e.g. F15S1G1-2304

\*1) xx No. of contacts 09, 15, 25 or 37

\*2) y for performance classes 1, 2 or 3

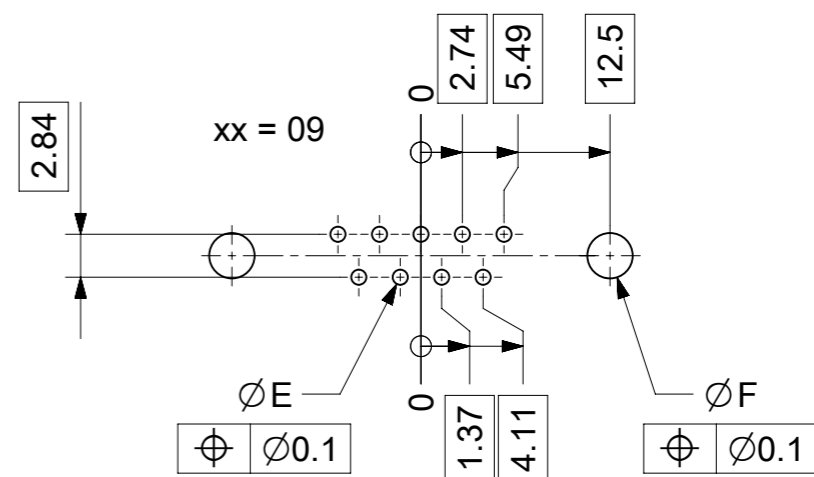
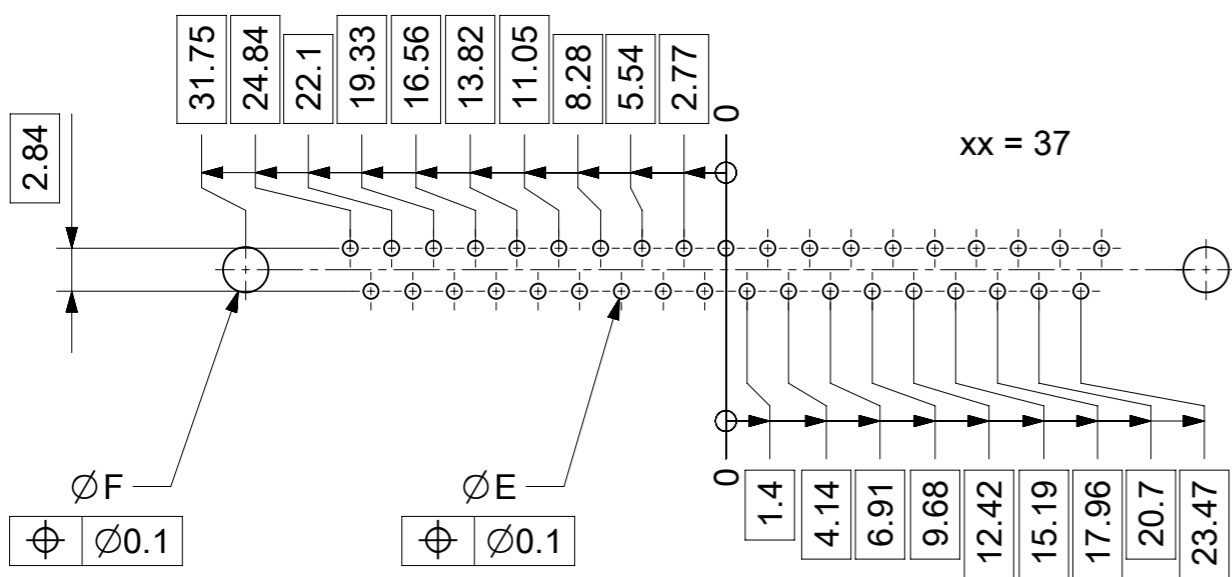
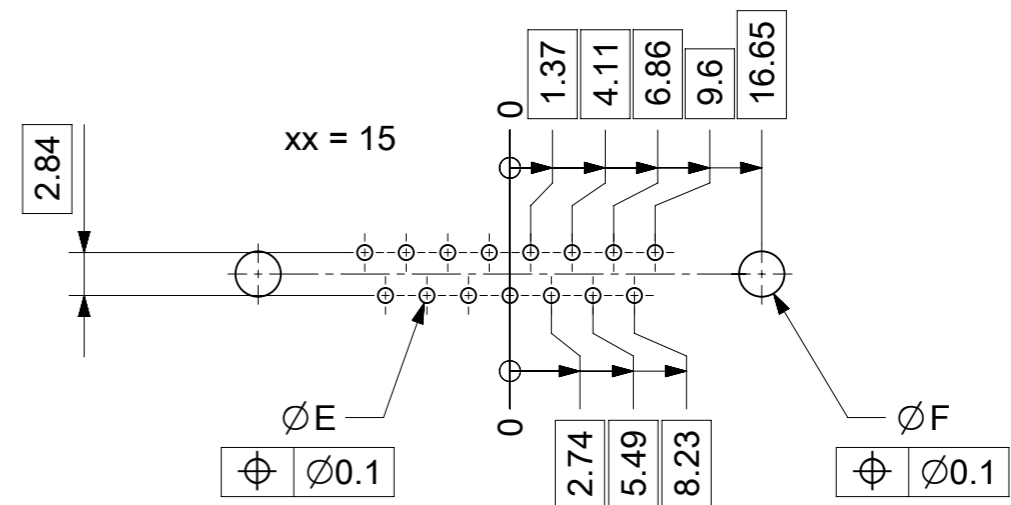
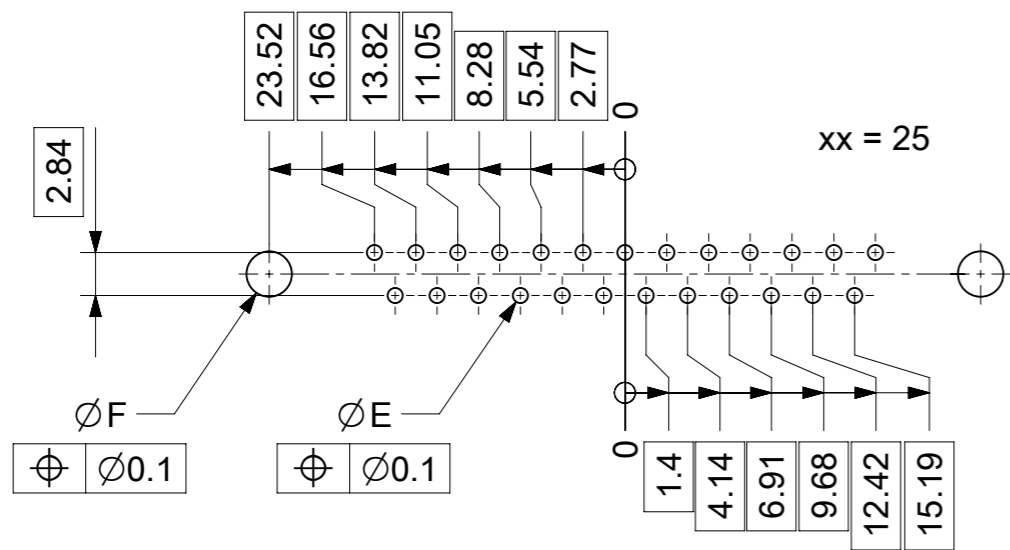
(contact cycle for G1/G2/G3 = 500/200/50)

Material Number	xx*1)	y*2)	A[mm]	B[mm]	C[mm]	*E[mm]	*F[mm]
1731091155	09	G1	30.8	16.4	25	Ø1.1	Ø3
1731091169		G2					
1731091328	15	G1	39.1	24.7	33.3		
1731091345		G3					
1731091468	25	G3	53	38.5	47.04		
1731091547	37	G2	69.3	54.9	63.5		

\*PCB hole patterns ØE, ØF see document 2195600023

No.	Pc.	Part	Type Description/Material	Surface plating/Color/Class
4	2	Snap-in bolt	PCB 1.6mm / Brass	tin plated
3	xx	Signal contact	S1 / Brass	G1 /G2 /G3
2	1	Shell	Steel	tin plated
1	1	Insulator	PBT (-55°C to +125°C) acc. UL94V-0	white

MEASUREMENTS WITHOUT TOLERANCE ACC TO ISO 2768-m				REPLACEMENT FOR DOCUMENT NUMBER: FxxS1Gy-2304			
FUNCTIONAL SYMBOLS		THIS DRAWING CONTAINS INFORMATION THAT IS PROPRIETARY TO MOLEX ELECTRONIC TECHNOLOGIES, LLC AND SHOULD NOT BE USED WITHOUT WRITTEN PERMISSION		<p>FCT D-SUB MINIATURE CONNECTOR</p> <p>PRODUCT CUSTOMER DRAWING</p>			
DIMENSION UNITS		SCALE					
mm		2:1		CURRENT REV DESC:			
GENERAL TOLERANCES (UNLESS SPECIFIED)		ANGULAR TOL ± °		EC NO: 708549			
4 PLACES ±		±		DRWN: SUGEEB 2021/12/03			
3 PLACES ±		±		CHK'D: MTEUBEL 2022/05/30			
2 PLACES ±		±		APPR: MTEUBEL 2022/05/30			
1 PLACE ±		±		INITIAL REVISION:			
0 PLACES ±		±		DRWN: SUGEEB 2021/12/03			
DRAFT WHERE APPLICABLE MUST REMAIN WITHIN DIMENSIONS		FIRST ANGLE PROJECTION		DRAWING		SERIES	
				A3-SIZE		173109	
				MATERIAL NUMBER		CUSTOMER	
				SEE TABLE		GENERAL MARKET	
				DOCUMENT NUMBER		DOC TYPE DOC PART REVISION	
				1731091155		PSD 000 A	
				SHEET NUMBER		1 OF 1	



$\varnothing E$ ,  $\varnothing F$  see data sheet incl. connector  
 $\varnothing F$  connectors with accessories only

MEASUREMENTS WITHOUT TOLERANCE ACC TO ISO 2768-m				REPLACEMENT FOR DOCUMENT NUMBER: AM0023			
THIS DRAWING CONTAINS INFORMATION THAT IS PROPRIETARY TO MOLEX ELECTRONIC TECHNOLOGIES, LLC AND SHOULD NOT BE USED WITHOUT WRITTEN PERMISSION							
FUNCTIONAL SYMBOLS	DIMENSION UNITS	SCALE	CURRENT REV DESC:				
$\nabla_A = 0$	mm	2:1	EC NO: 713905 DRWN: SKANDB 2022/05/16 CHK'D: MTEUBEL 2022/07/12 APPR: MTEUBEL 2022/07/12 INITIAL REVISION: DRWN: SKANDB 2022/05/16 APPR: MTEUBEL 2022/07/12				
$\nabla_E = 0$	GENERAL TOLERANCES (UNLESS SPECIFIED)						
$\nabla_P = 0$	ANGULAR TOL $\pm$ °						
DIVISIONAL SYMBOLS	4 PLACES	$\pm$	PRODUCT CUSTOMER DRAWING DOCUMENT NUMBER: 2195600023 DOC TYPE: PSD DOC PART: 000 REVISION: A				
	3 PLACES	$\pm$					
	2 PLACES	$\pm$					
	1 PLACE	$\pm$					
	0 PLACES	$\pm$	MATERIAL NUMBER: 219560 CUSTOMER: GENERAL MARKET SHEET NUMBER: 1 OF 1				
DRAFT WHERE APPLICABLE MUST REMAIN WITHIN DIMENSIONS		FIRST ANGLE PROJECTION	DRAWING	SERIES	MATERIAL NUMBER	CUSTOMER	SHEET NUMBER
			A3-SIZE	219560	219560	GENERAL MARKET	1 OF 1