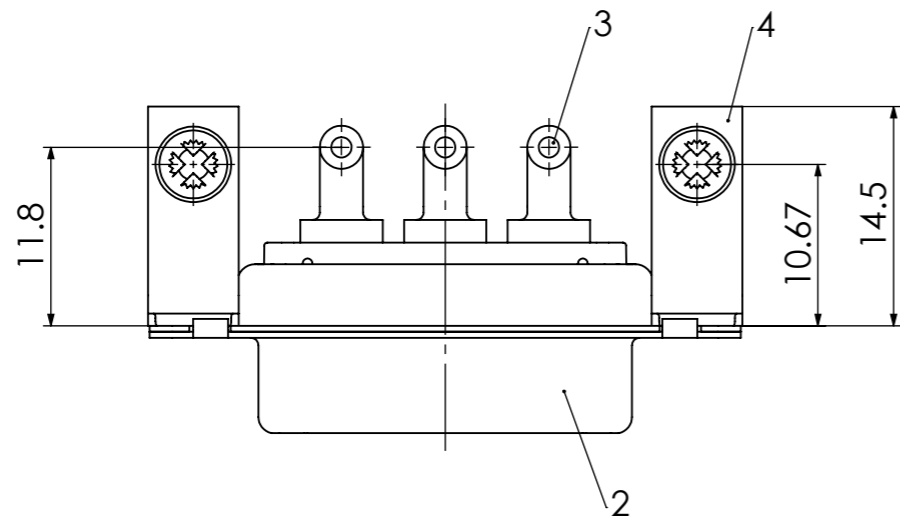
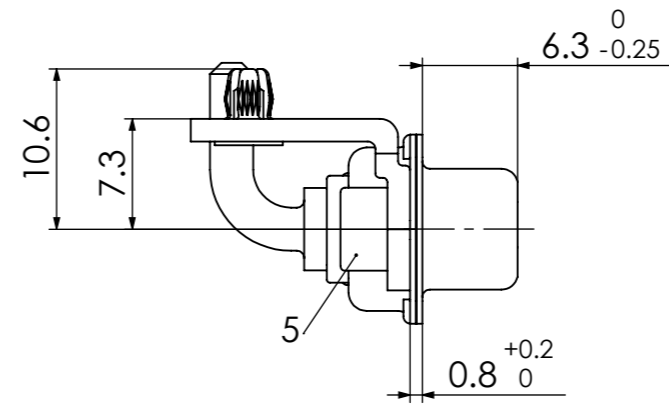
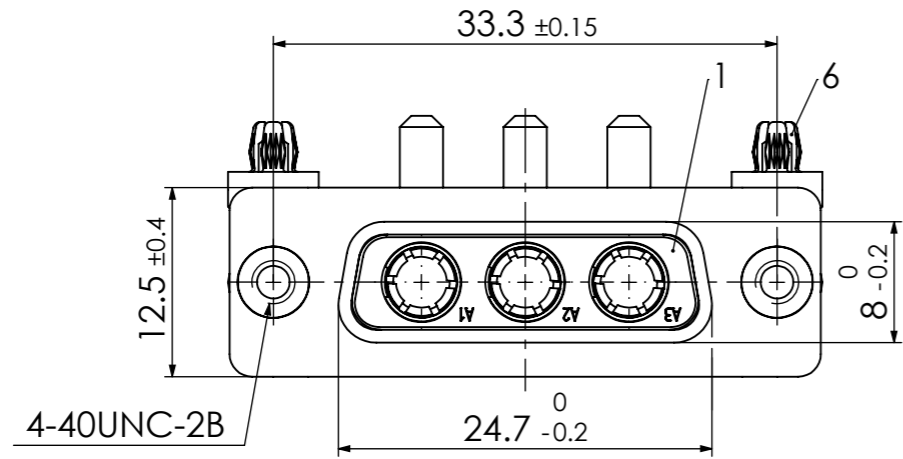
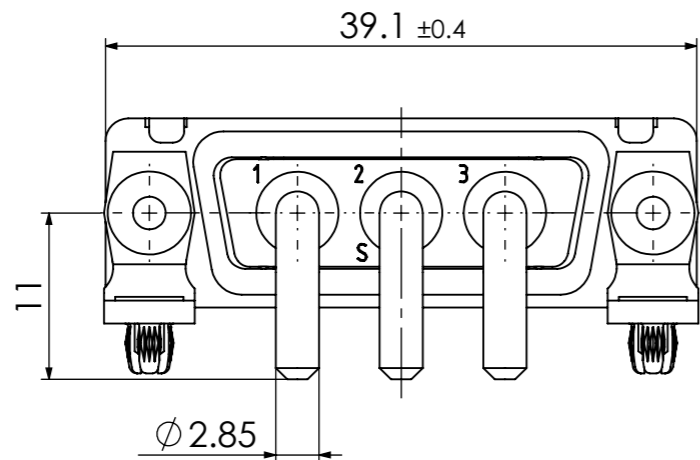
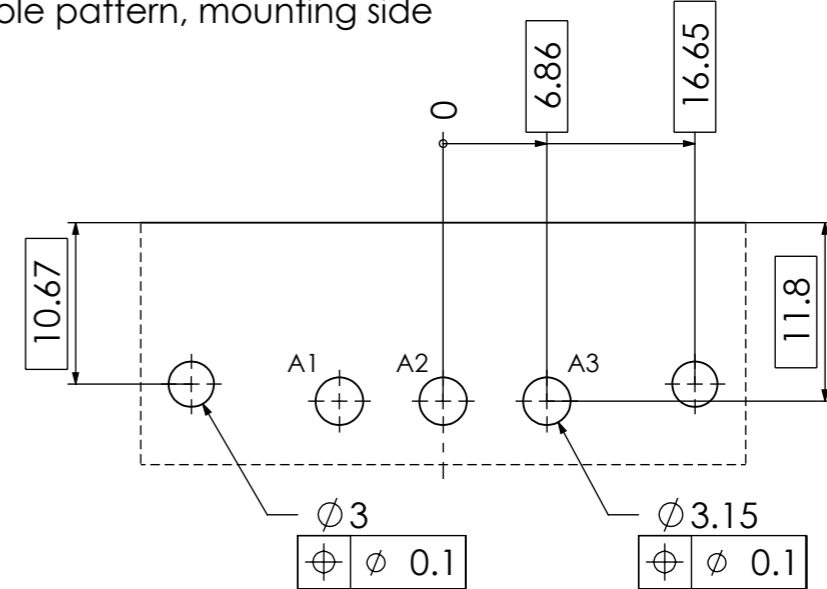


RoHS compliant
by exemption



PCB hole pattern, mounting side



| No. | St. | Part | Type Description/Material | Surface plating/Colour/Class |
|-----|-----|--------------------|------------------------------------|------------------------------|
| 6 | 2 | Snap-in rivet | PCB 1.6mm / Brass | tin plated |
| 5 | 2 | Clinch nut | MW 4-40 / Steel | tin plated |
| 4 | 2 | Bracket | F1080-13B / Steel | tin plated |
| 3 | 3 | High power contact | FMP008S105R | 20A |
| 2 | 1 | Shell | Steel | tin plated |
| 1 | 1 | Insulator | PBT (-55°C to +130°C) acc. UL94V-0 | green |

| FUNCTIONAL SYMBOLS | | | | | THIS DRAWING CONTAINS INFORMATION THAT IS PROPRIETARY TO MOLEX ELECTRONIC TECHNOLOGIES, LLC AND SHOULD NOT BE USED WITHOUT WRITTEN PERMISSION | | | | |
|--------------------|-------|-------|-----------------|-------|---|--|--|----------------------------------|--|
| ▽ = 0 | ▽ = 0 | ▽ = 0 | DIMENSION UNITS | SCALE | MEASUREMENTS WITHOUT TOLERANCE ACC. TO ISO 2768-m | | | molex | |
| | | | mm | 2:1 | | | | | |
| | | | | | CURRENT REVISION | | | FCT D-Sub Mixed-Layout Connector | |
| | | | | | DRWN: DRAWN BY msteinbrueck 04-10-2023 | | | PRODUCT CUSTOMER DRAWING | |
| | | | | | APPR: APPR BY mteubel 29-11-2023 | | | MATERIAL NUMBER | |
| | | | | | INITIAL REVISION | | | REVISION | |
| | | | | | DRWN: DRAWN BY MJobst 24-08-2007 | | | 1731071039 | |
| | | | | | APPR: APPR BY ADenzinger 27-08-2007 | | | 2 | |
| | | | | | REPLACEMENT FOR: 1731071039_Rev.A1 | | | DOCUMENT NUMBER | |
| | | | | | FIRST ANGLE PROJECTION | | | FM3W3S-1924 | |
| | | | | | DRAWING A3-SIZE | | | CUSTOMER GENERAL MARKET | |
| | | | | | | | | SHEET NUMBER 1 OF 1 | |

COMMENT: ALL RIGHTS ARE RESERVED BY US FOR THIS DRAWING. WITHOUT OUR PRIOR CONSENT, IT MAY NEITHER BE DUPLICATED NOR MADE AVAILABLE TO A THIRD PARTY. AND IT ALSO MAY NOT BE IMPROPERLY USED BY THE RECEIVER, OR A THIRD PARTY.