



- 10/100 Base T For Ethernet and other Networking Applications
- Compliant to IEEE802.3
- Transmit open circuit inductance (OCL): 350uH (MIN)
@ 100KHz, 0.1Vrms with 8mA DC Bias
- RJ45 jack cavity conforms to FCC rules and regulations Part 68, SUB Part F
- Industrial Temp: -40°C to +85°C

Electrical Specifications @ 25°C

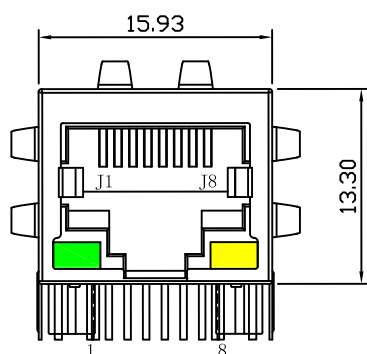
Part Number	OCL(uH Min) @ 100kHz, 0.1V With 8mA DC Bias	Turns Ratio TX=1CT:1CT RX=1CT:1CT	Cross Talk (dB Min)			HI-POT
			1-30MHz	30-60MHz	60-100MHz	
AR11-4349I	350	±3%	-40	-35	-30	1500Vrms

Electrical Specifications @ 25°C

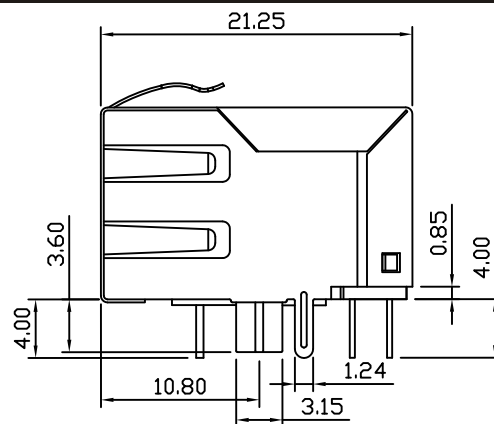
Insertion Loss (dB Max)	Return Loss (dB Min)			CMR (dB Min)	
	1-100 MHz	1-30MHz	30-60MHz	60-100MHz	1-50 MHz
-1.1	-16	-12	-10	-30	-20

All specifications subject to change without notice.

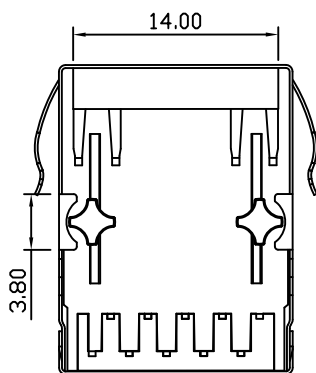
MECHANICAL



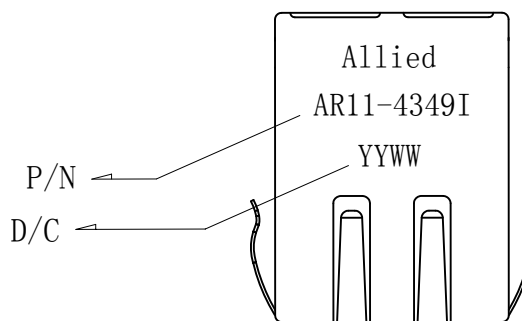
Front Side View



Left Side View



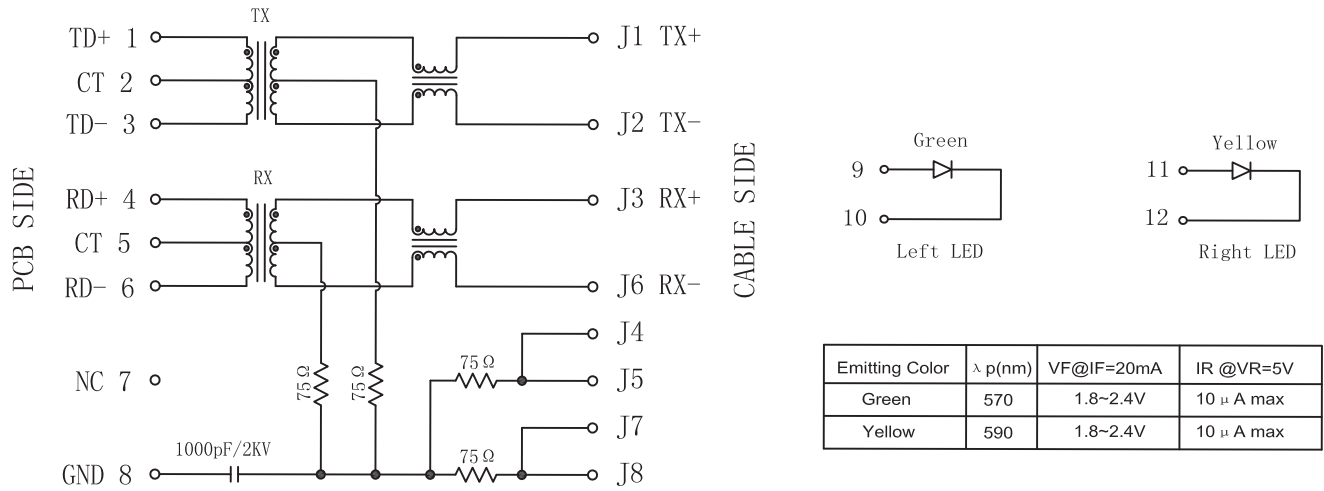
Bottom Side View



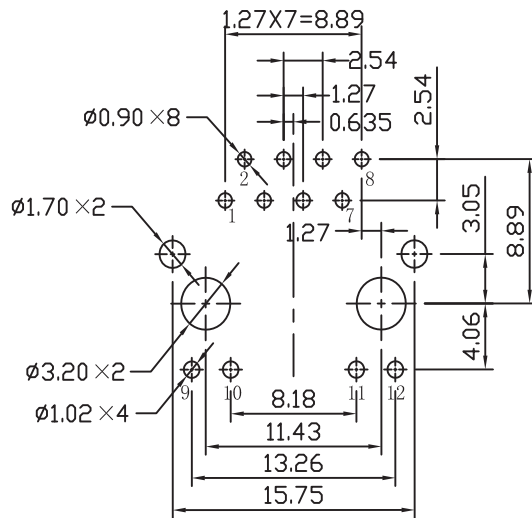
Top Side View



SCHEMATICS



PCB LAYOUT



NOTES

1. Meets IEEE 802.3 specification
2. Connector Materials:
 Housing Material: Thermoplastic PBT+30%G.F UL94V-0
 Contact Material: Phosphor Bronze C5210R-EH Thickness=0.35mm
 Pins: Brass C2680R-H Thickness=0.35mm
 Shield: SUS 201-1/2H Thickness=0.2mm
 Contact plating: Gold 6 micro-inches min. In contact area.
3. Wave solder tip temperature: 265°C Max, 5 Sec Max