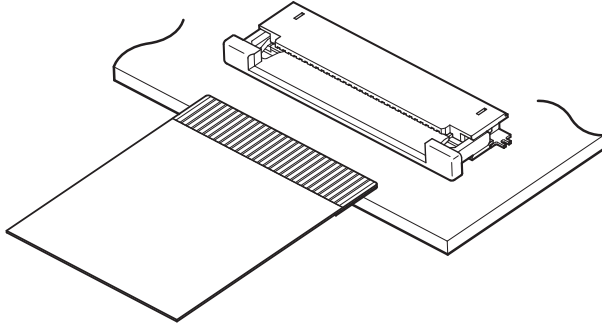




FLZ CONNECTOR

0.5 mm pitch/ Board-to-FFC/FPC connector/ ZIF type



This is a 0.5 mm pitch, compact FFC/FPC connector with a mounting height of 2 mm. It features Zero Insertion Force (ZIF) connection, which is effective in improving wear resistance and insertion/withdrawal life. Both normal (upper contact type) and reverse (bottom contact type) connection types are available, contributing to greater flexibility in the design process.

- Low-profile and space-saving
- ZIF (Zero Insertion Force)
- Heat-resistant design for reflow soldering
- Two connection types available:
normal (upper contact type) and
reverse (bottom contact type)
- Embossed taping for automated mounting

■ Specifications

- Current rating: 0.5 A AC/DC
- Voltage rating: 50 V AC/DC
- Temperature range: -25°C to +85°C
(including temperature rise in
applying electrical current)
- Contact resistance:
Initial value/ 40 mΩ max.
After environmental tests/ 60 mΩ max.
- Insulation resistance: 800 MΩ min.
- Withstanding voltage:
There shall be no breakdown or flashover while
applying 200 VAC for one minute.
- Applicable FPC/FPC:
Conductor pitch/ 0.5 ± 0.03 mm
Conductor width/ 0.35 ± 0.04 mm
Lead thickness / 0.3 ± 0.03 mm
- * Please refer to the "Handling Precautions for Terminals
and Connectors" on our website (listed in the "Technical
Documents" column on the Product Information page)
before use.
- * RoHS2 compliance
- * Dimensional unit: mm
- * Contact JST for details.

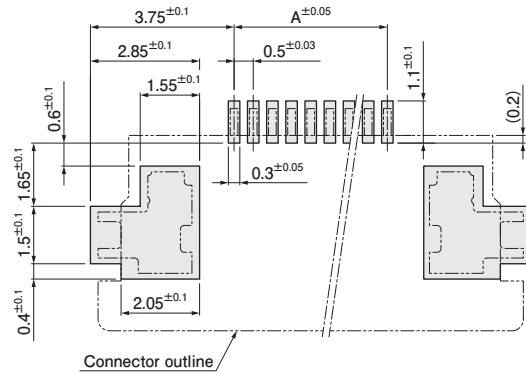
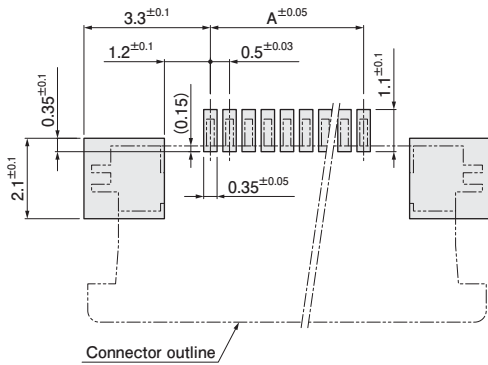
■ Standards

For information on overseas standard registrations, please refer to the "List of Registered Overseas Standards" on our website (listed in the "Technical Documents" column on the Product Information page).

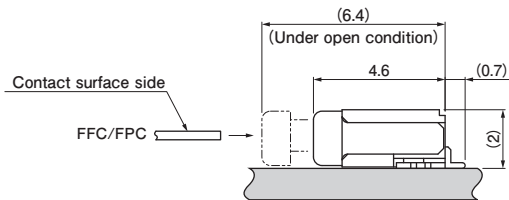
- * Specifications registered to overseas standards may differ from the general specifications listed above.

PC board layout and Assembly layout

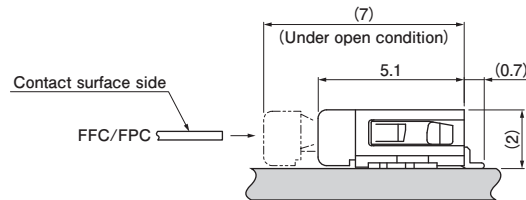
Inner lock type



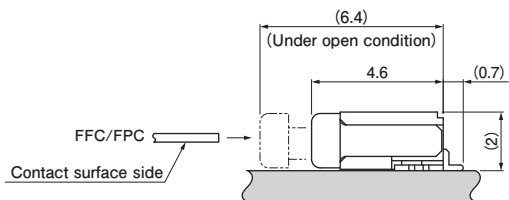
• Normal type (Upper contact type)



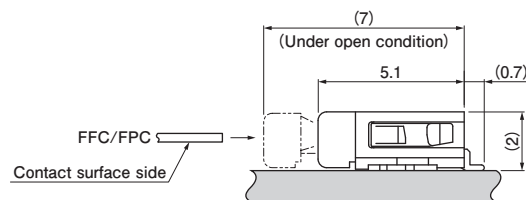
• Normal type (Upper contact type)



• Reverse type (Bottom contact type)



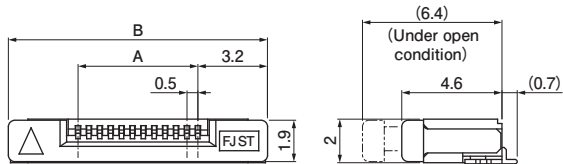
• Reverse type (Bottom contact type)



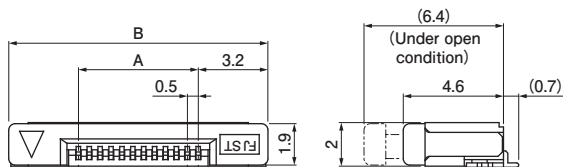
- Note: 1. The PC board layout figure shown is viewed from the connector mounting surface.
 2. Dimension A: See "Connector" section on page 3 or "Connector/ Inner lock type" section on page 4.
 3. Tolerance for the PCB pattern pitch shall be ± 0.03 , and shall not accumulate more than ± 0.05 .
 4. The above dimensions are reference values. Please contact JST for details.

Connector

Normal type (Upper contact type)



Reverse type (Bottom contact type)



No. of circuits	Model No.		Dimensions (mm)		Q'ty/ reel
	Normal type (Upper contact type)	Reverse type (Bottom contact type)	A	B	
6	06FLZ-SM2-TB	06FLZ-RSM2-TB	2.5	8.9	2,800
7	07FLZ-SM2-TB	07FLZ-RSM2-TB	3.0	9.4	2,800
8	08FLZ-SM2-TB	08FLZ-RSM2-TB	3.5	9.9	2,800
9	09FLZ-SM2-TB	09FLZ-RSM2-TB	4.0	10.4	2,800
10	10FLZ-SM2-TB	10FLZ-RSM2-TB	4.5	10.9	2,800
11	11FLZ-SM2-TB	11FLZ-RSM2-TB	5.0	11.4	2,800
12	12FLZ-SM2-TB	12FLZ-RSM2-TB	5.5	11.9	2,800
13	13FLZ-SM2-TB	13FLZ-RSM2-TB	6.0	12.4	2,800
14	14FLZ-SM2-TB	14FLZ-RSM2-TB	6.5	12.9	2,800
15	15FLZ-SM2-TB	15FLZ-RSM2-TB	7.0	13.4	2,800
16	16FLZ-SM2-TB	16FLZ-RSM2-TB	7.5	13.9	2,800
17	17FLZ-SM2-TB	—	8.0	14.4	2,800
18	18FLZ-SM2-TB	18FLZ-RSM2-TB	8.5	14.9	2,800
19	19FLZ-SM2-TB	19FLZ-RSM2-TB	9.0	15.4	2,800
20	20FLZ-SM2-TB	20FLZ-RSM2-TB	9.5	15.9	2,800
21	21FLZ-SM2-TB	21FLZ-RSM2-TB	10.0	16.4	2,800
22	22FLZ-SM2-TB	22FLZ-RSM2-TB	10.5	16.9	2,800
23	23FLZ-SM2-TB	23FLZ-RSM2-TB	11.0	17.4	2,800
24	24FLZ-SM2-TB	24FLZ-RSM2-TB	11.5	17.9	2,800
25	25FLZ-SM2-TB	25FLZ-RSM2-TB	12.0	18.4	2,800
26	26FLZ-SM2-TB	26FLZ-RSM2-TB	12.5	18.9	2,800
27	27FLZ-SM2-TB	27FLZ-RSM2-TB	13.0	19.4	2,800
28	28FLZ-SM2-TB	28FLZ-RSM2-TB	13.5	19.9	2,800
30	30FLZ-SM2-TB	30FLZ-RSM2-TB	14.5	20.9	2,800
33	33FLZ-SM2-TB	—	16.0	22.4	2,800

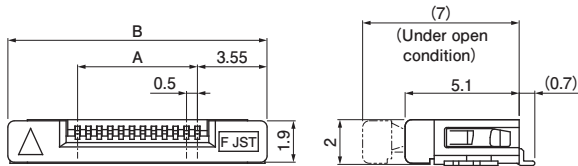
Material and Surface finish, etc.

Contact: Copper alloy, copper-undercoated, tin-plated
 Slider housing: Heat resisting resin, black
 Socket housing: Heat resisting resin,
 gray (normal type), natural (reverse type)
 Reinforcement: Copper alloy, copper-undercoated, tin-plated

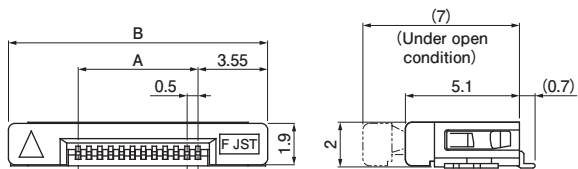
- Note: 1. This product displays (LF)(SN) on a label.
 2. This product is supplied on embossed tape and reel packaging.
 3. For flame retardant grade of resin material used, please refer to the "List of Registered Overseas Standards" on our website (listed in the "Technical Documents" column on the Product Information page).

Connector/ Inner lock type

Normal type (Upper contact type)



Reverse type (Bottom contact type)



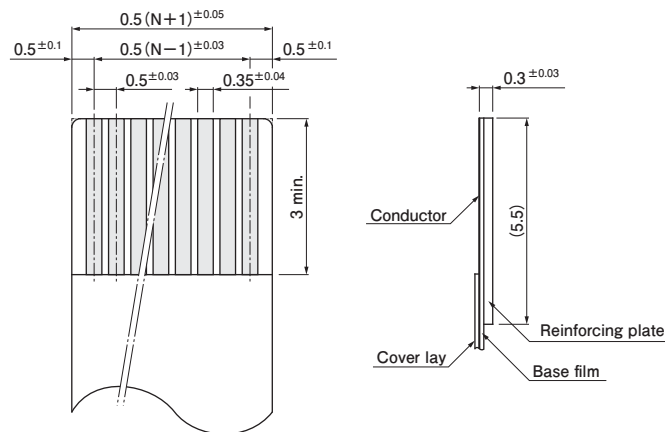
No. of circuits	Model No.		Dimensions (mm)		Q'ty/reel
	Normal type (Upper contact type)	Reverse type (Bottom contact type)	A	B	
32	32FLZ-SM2-R-TB	32FLZ-RSM2-R-TB	15.5	22.6	2,800
34	34FLZ-SM2-R-TB	34FLZ-RSM2-R-TB	16.5	23.6	2,800
36	36FLZ-SM2-R-TB	36FLZ-RSM2-R-TB	17.5	24.6	2,800
40	40FLZ-SM2-R-TB	40FLZ-RSM2-R-TB	19.5	26.6	2,800
42	42FLZ-SM2-R-TB	—	20.5	27.6	2,800
50	50FLZ-SM2-R-TB	—	24.5	31.6	2,800

Material and Surface finish, etc.

Contact: Copper alloy, copper-undercoated, tin-plated
 Slider housing: Heat resisting resin, black
 Socket housing: Heat resisting resin, gray (normal type), natural (reverse type)
 Reinforcement: Copper alloy, copper-undercoated, tin-plated

- Note: 1. This product displays (LF)(SN) on a label.
 2. This product is supplied on embossed tape and reel packaging.
 3. For flame retardant grade of resin material used, please refer to the "List of Registered Overseas Standards" on our website (listed in the "Technical Documents" column on the Product Information page).

Dimensions of FFC/FPC lead section



Note) N: No. of circuits