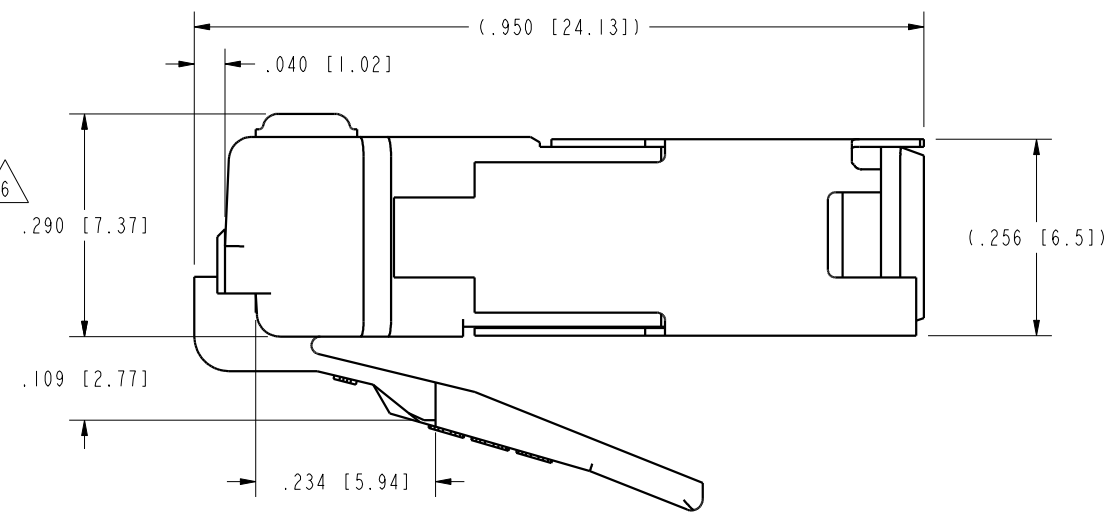
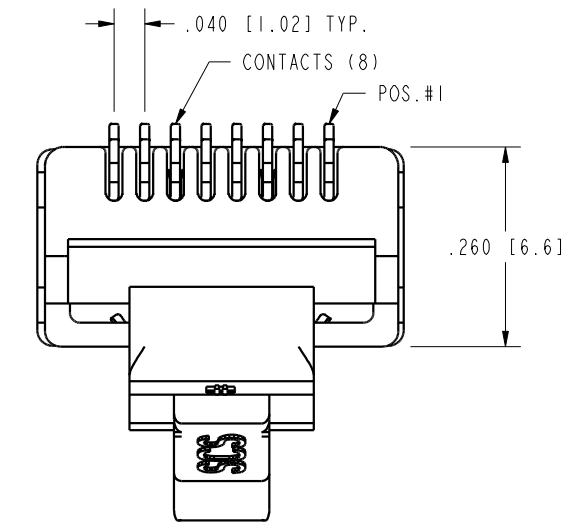
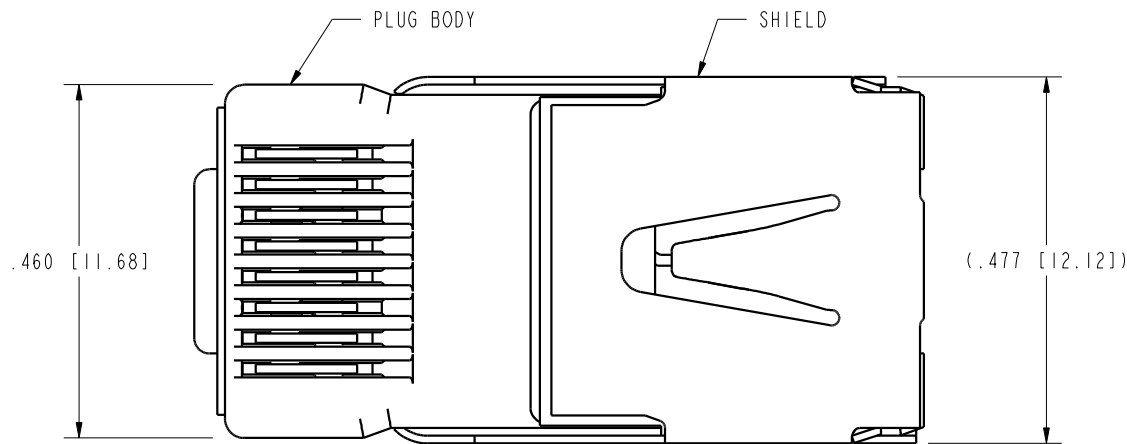
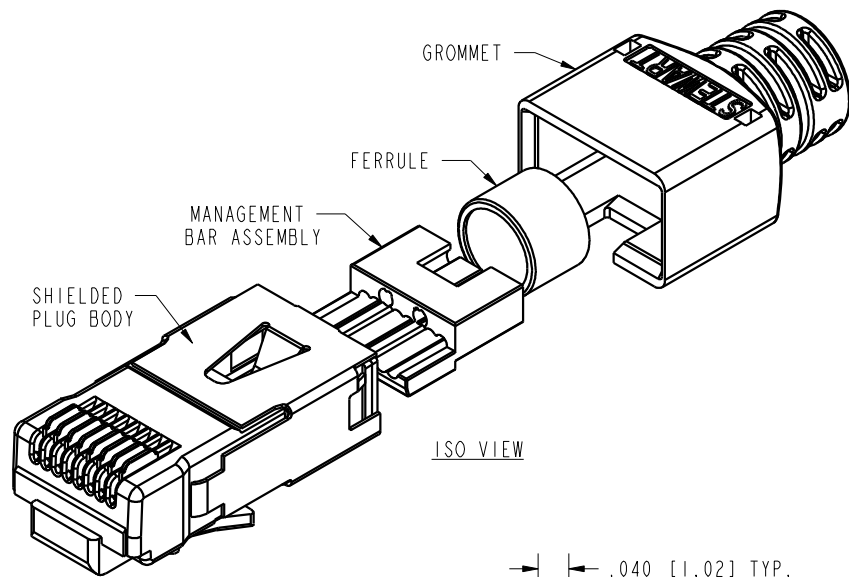


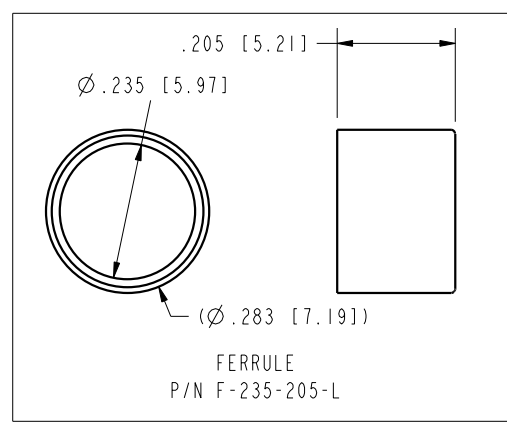
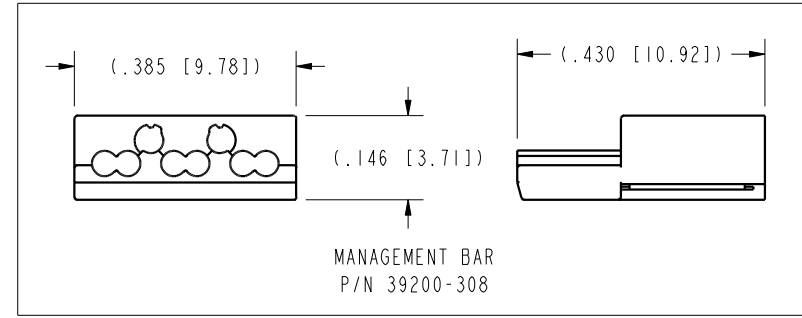
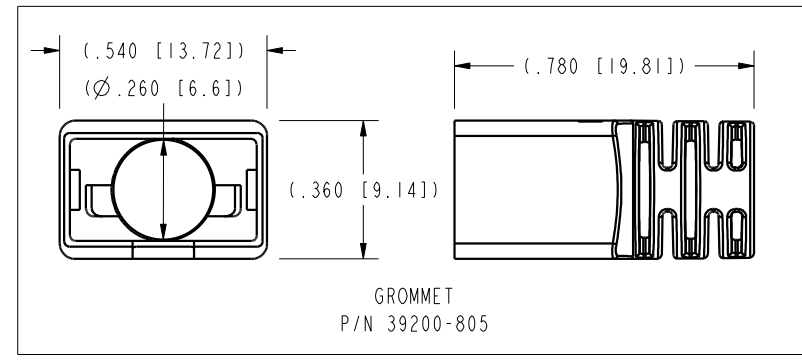
DATE	REV.	ECN	APP'D BY
2-17-15	A5	10258	ADB
2-19-16	A6	10554	TRM

B



- NOTES:
1. PLUG KIT CONSISTS OF:
PRE-INSERTED PLUG BODY & SHIELD
MANAGEMENT BAR ASSEMBLY
FERRULE
GROMMET
 2. MATERIALS:
PLUG BODY: CLEAR POLYCARBONATE, UL 94-V0
MANAGEMENT BAR: CLEAR POLYCARBONATE, UL 94-V0
CHANNEL COMPENSATOR: NICKEL PLATED BRASS
SHIELD: TIN PLATED BRASS
CONTACTS: COPPER ALLOY, SELECTIVE GOLD PLATING
FERRULE: NICKEL OR TIN PLATED BRASS
GROMMET: POLYCARBONATE, UL 94-V0, COLOR:BLACK
 3. CONTACTS TERMINATE SOLID OR STRANDED CONDUCTORS UP TO .037 [0.94] OUTSIDE DIAMETER OF INSULATION.
 4. FOR PRODUCT SPECIFICATION SEE PRO26-01.
 5. DIMENSIONS AND TOLERANCES COMPLY WITH TIA-1096 STANDARD.
 6. TERMINATED PLUG HEIGHT: .237 [6.02] ±.005 [0.13] ON CABLE.
 7. DESIGNED FOR CATEGORY 6 APPLICATIONS.

A



BULK	50 MICRO-INCHES [1.27um]	SS-39200-006
PACKAGE	CONTACT PLATING IN MATING AREA	PART NUMBER

THIRD ANGLE PROJECTION

DO NOT SCALE DRAWING
DRAWING IS SUBJECT TO
CHANGE WITHOUT NOTICE

DIMENSIONS: INCHES [METRIC]

UNLESS OTHERWISE SPECIFIED
TOLERANCES ARE ±.005 [0.13]
ANGLES ARE ±1°

SHEET NO.
1 OF 1

11118 Susquehanna Trail South
Glen Rock, PA 17327-9199
(717) 235-7512
<http://www.stewartconnector.com>

8 x 8 CATEGORY 6 SHIELDED PLUG ASSEMBLY
WITH MANAGEMENT BAR, FERRULE & GROMMET

DRN BY:	JAM	DATE	5-21-01
APPD BY:	TRM	DATE	5-22-01
DWG. NO.	CT390009	REV.	A6

THIS DRAWING AND THE SUBJECT MATTER SHOWN THEREON ARE CONFIDENTIAL AND THE PROPRIETARY PROPERTY OF STEWART CONNECTOR AND SHALL NOT BE REPRODUCED, COPIED, OR USED IN ANY MANNER WITHOUT PRIOR WRITTEN CONSENT OF STEWART CONNECTOR. ONE OR MORE U.S. PATENTS MAY APPLY TO THIS PRODUCT. FOR DETAILS, PLEASE VISIT: [HTTP://BELFUSE.COM/STEWART/STEWART_PATENTS/](http://BELFUSE.COM/STEWART/STEWART_PATENTS/)

