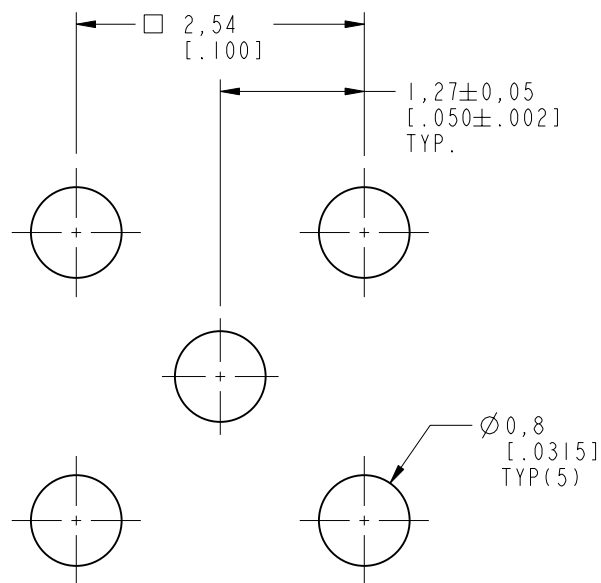


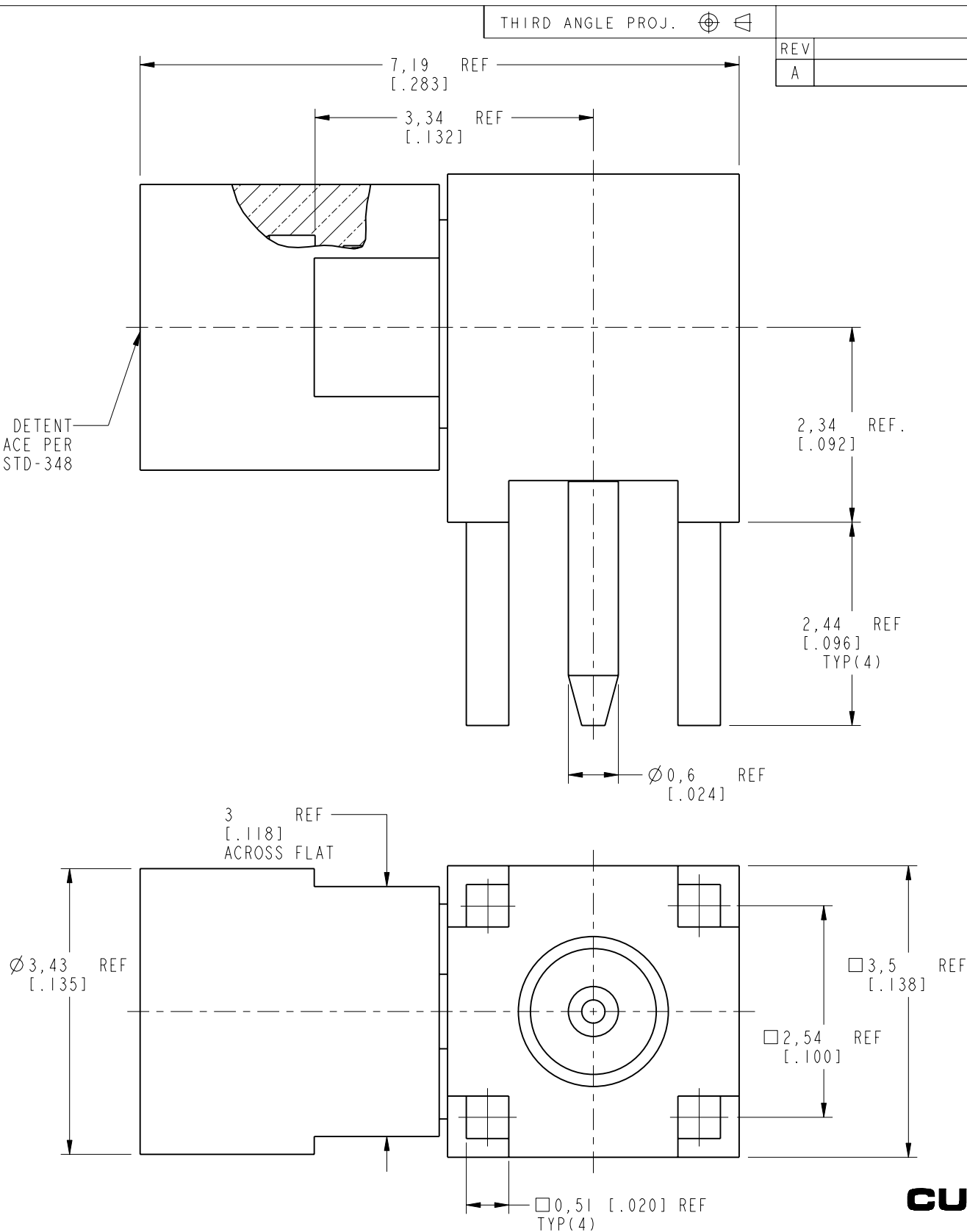
NOTES:

1. MATERIALS AND FINISHES:
 BODY & REAR BODY - BRASS, GOLD PLATING
 CONTACT - BeCu, GOLD PLATING
 INSULATOR - PTFE, NATURAL
2. ELECTRICAL:
 A. IMPEDANCE : 50 OHM
 B. FREQUENCY RANGE: DC - 40 GHz
 C. VSWR : 1.15:1 MAX @ DC - 10 GHz
 1.25:1 MAX @ 10 GHz - 26.5 GHz
 1.60:1 MAX @ 26.5 GHz - 40 GHz
 D. DIELECTRIC WITHSTANDING VOLTAGE: 500 VRMS, MIN.
3. MECHANICAL:
 A. DURABILITY: 100 CYCLES MIN.
 B. TEMPERATURE RANGE: -65°C TO +165°C
4. PACKAGING:
 A. QUANTITY: SINGLE PACK
 B. MARKING: BAG TO BE MARKED
 "AMPHENOL RF, 925-140J-51P, AND DATE CODE"

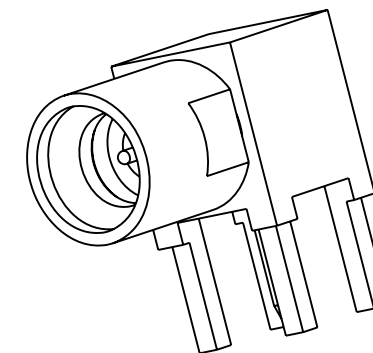


RECOMMENDED MOUNTING HOLE DIMENSIONS

SMPM FULL DETENT
 INTERFACE PER
 MIL-STD-348



REV		DESCRIPTION	DATE	ECO	APPR
A		RELEASE TO MFG.	29-Mar-17	03282	SS



SCALE 6.000

CUSTOMER OUTLINE DRAWING
 ALL OTHER SHEETS ARE FOR INTERNAL USE ONLY

UNLESS OTHERWISE SPECIFIED, DIMENSIONS ARE IN METRIC AND TOLERANCES ARE:
 <0.5mm ±0.05mm 0.5 - 6mm ±0.1mm 6 - 30mm ±0.2mm 30 - 120mm ±0.3mm ANGLES ±1°

NOTICE - These drawings, specifications, or other data (1) are, and remain the property of Amphenol corp. (2) must be returned upon request; and (3) are confidential and not to be disclosed to any person other than those to whom they are given by Amphenol Corp. the furnishing of these drawings, specifications, or other data by Amphenol Corp., or to any other person to anyone for any purpose is not to be regarded by implication or otherwise in any manner licensing, granting rights to permitting such holder or any other person to manufacture, use or sell any product, process or design, patented or otherwise, that may in any way be related to or disclosed by said drawings, specifications, or other data.

MATERIAL	SEE NOTES
REFERENCE	EAR: 7105
CONFIGURATION LEVEL:	In Work
FINISH	

DRAWN	M. ZHANG	DATE	29-Mar-17
ENGINEER	ABHAYA KISHORE	DATE	23-Aug-13
APPROVED	S. HSIEH	DATE	30-Mar-17
CAD FILE			

TITLE		SMPM JACK R/A FULL DETENT PCB MOUNT	
SCALE:	15.0:1.0	SHEET	2 OF 2
DWG SIZE	B	REV	A

Amphenol RF	
www.amphenolrf.com	
DRAWING NO.	925-140J-51P
ITEM NO.	925-140J-51P
PART NO.	925-140J-51P