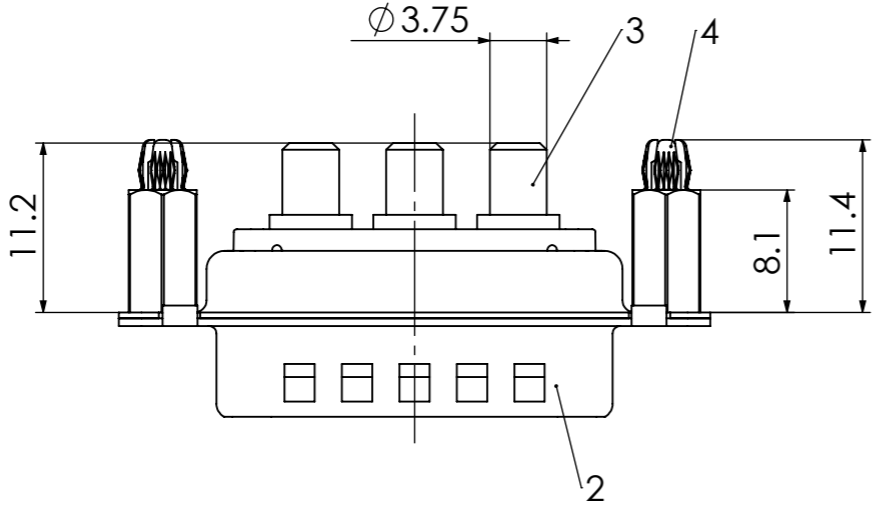
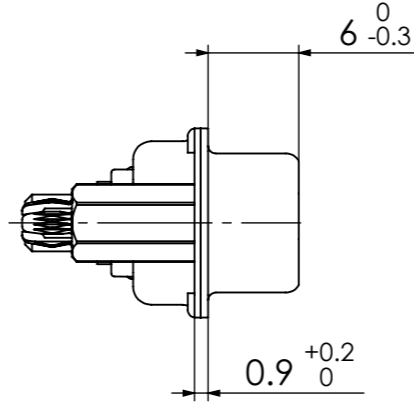
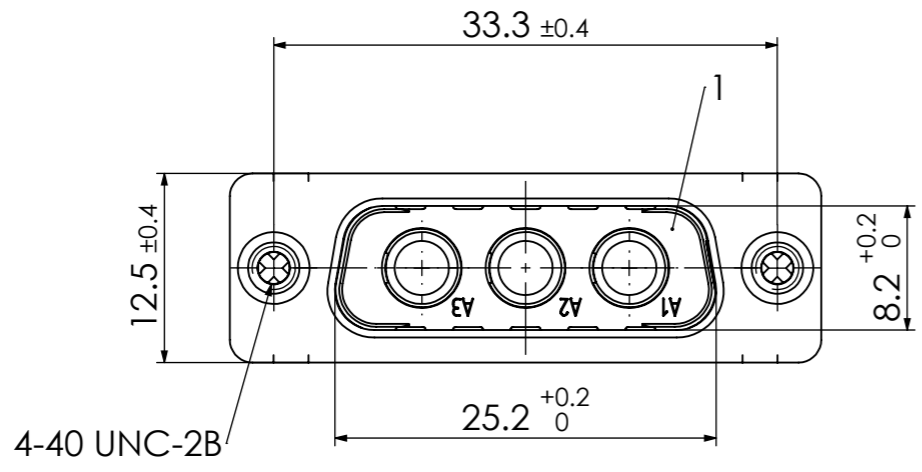
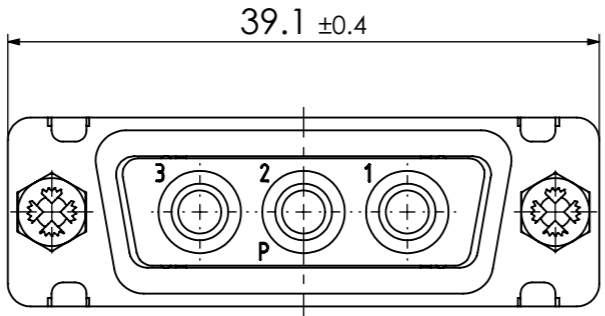
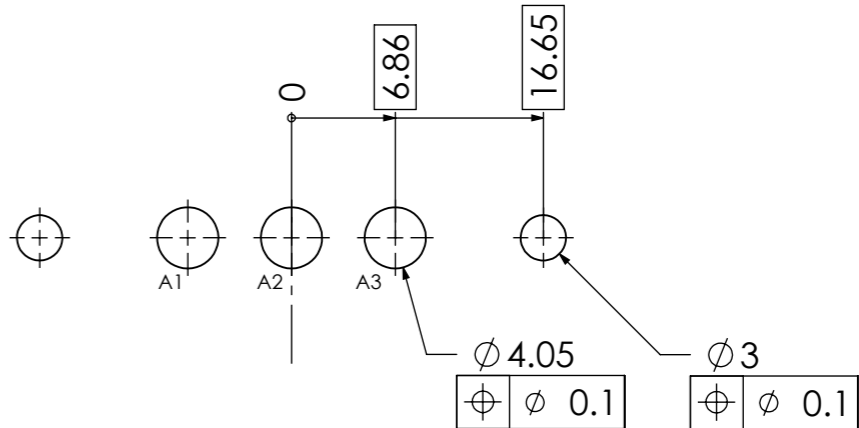


RoHS compliant  
by exemption



PCB hole pattern, mounting side



4	2	Snap-in bolt	PCB 1.6mm / Brass	tin plated
3	5	High power contact	FMP016P105	40A
2	1	Shell	Steel	tin plated
1	1	Insulator	PCT (-55°C to +150°C)	natural
No.	St.	Part	Type Description/Material	Surface plating/Colour/Class

FUNCTIONAL SYMBOLS ▽ = 0 ▽ = 0 ▽ = 0					THIS DRAWING CONTAINS INFORMATION THAT IS PROPRIETARY TO MOLEX ELECTRONIC TECHNOLOGIES, LLC AND SHOULD NOT BE USED WITHOUT WRITTEN PERMISSION					
DIMENSION UNITS		SCALE		MEASUREMENTS WITHOUT TOLERANCE ACC. TO						
mm		2:1		ISO 2768-m						
CURRENT REVISION							FCT D-Sub Mixed-Layout Connector			
DRWN: DRAWN BY		mteubel		19-12-2023						
APPR: APPR BY		msteinbrueck		21-12-2023						
INITIAL REVISION							PRODUCT CUSTOMER DRAWING			
DRWN: DRAWN BY		MTeubel		24-01-2019		MATERIAL NUMBER		REVISION		
APPR: APPR BY		gkrimshandl		25-01-2019		1731071446		3		
REPLACEMENT FOR:			FIRST ANGLE PROJECTION		DRAWING		DOCUMENT NUMBER		CUSTOMER	SHEET NUMBER
1731071446_Rev.A1					A3-SIZE		FH3W3P-6131		GENERAL MARKET	1 OF 1

COMMENT: ALL RIGHTS ARE RESERVED BY US FOR THIS DRAWING. WITHOUT OUR PRIOR CONSENT, IT MAY NEITHER BE DUPLICATED NOR MADE AVAILABLE TO A THIRD PARTY. AND IT ALSO MAY NOT BE IMPROPERLY USED BY THE RECEIVER, OR A THIRD PARTY.