

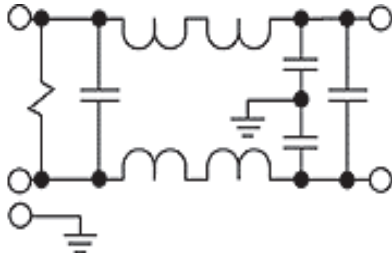
SW

WIDE BAND HIGH PERFORMANCE EMI FILTER

FEATURES

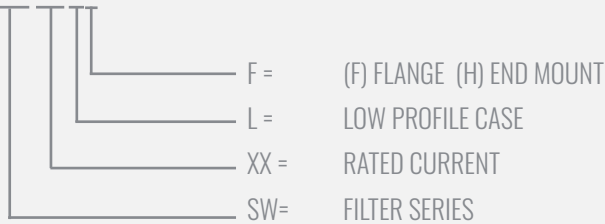
- » **Rated currents** include **3A, 5A, 10A, 20A, 30A, 45A and 60A**
- » Available with **QD** (tabs), **S** (studs) and **C** (connectors) option
- » End Mount, Low Profile, Connector & Flange Mount Available
- » Agency Approved to UL E78081, CSA LR53652
- » Wide Band Design
- » Y-cap value can be adjusted to fit specification

ELECTRICAL SCHEMATIC

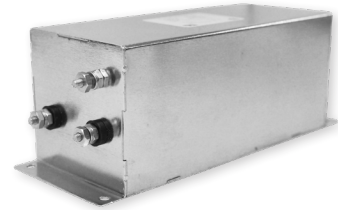


HOW TO ORDER

SW XX LF



NOTE: USE ANY COMBINATION OF -X (AMPS) WITH ANY -Y RATINGS
E.G. **SW5L** (5 AMPS, LOW PROFILE CASE)



SPECIFICATIONS

OPERATING FREQUENCY	50/60Hz
MAX. OPERATING VOLTAGE	250VAC +10%
TERMINALS (-T)	QD: 0.25 TABS STUDS: 8-32 (1-5A), 10-32(10-30A)
TYP. WEIGHT, LBS (KG)	0.83 - 10.5 (0.37 - 4.76)
<hr/>	
LEAKAGE CURRENT	
@ 250 VAC 60 Hz	0 - 3.5 mA Max.
<hr/>	
HIPOT RATINGS	
LINE TO GROUND	2200 VDC - 2700 VDC

TYPICAL APPLICATIONS

- ✓ Household Appliances
- ✓ Industrial Equipment
- ✓ Power Supplies
- ✓ Consumer Electronics
- ✓ Office Automation Equipment
- ✓ Data Processing Systems

SW

WIDE BAND HIGH PERFORMANCE EMI FILTER

MODEL NO.	RATED CURRENT (A) @ 40° C	Y-CAP, nF	LEAKAGE CURRENT, mA @ 250V AC, 60 Hz	TERMINAL OPTIONS			MAX. DIMENSIONS" (MM)		
				(QD) INPUT/ OUTPUT	(S) INPUT/ OUTPUT	(C) INPUT/ OUTPUT	WIDTH	(LENGTH)	HEIGHT
SW3C	3	2x.0001µF/2x .0047µF/2x .0047µF/2x.001µF	2.4			✓	2.15"	3.47"	1.75"
SW3C S	3	2x.0001µF/2x .0047µF/2x .0047µF/2x.001µF	2.4			✓	2.15"	3.5"	1.75"
SW3	3	2x.0001µF/2x .0047µF/2x .0047µF/2x.001µF	*	✓			2.15"	4.07"	1.78"
SW3 G	3	2x.0001µF/2x .0047µF/2x .0047µF/2x.001µF	2.4	✓			2.15"	4.07"	1.78"
SW3R	3	2x.0001µF/2x .0047µF/2x .0047µF/2x.001µF	2.4	✓			*	*	*
SW3 S	3	2x.0001µF/2x .0047µF/2x .0047µF/2x.001µF	2.4		✓		2.15"	4.13"	1.78"
SW3 SG	3	2x.0001µF/2x .0047µF/2x .0047µF/2x.001µF	2.4		✓		*	*	*
SW5C	5	2x.0001µF/2x .0047µF/2x .0047µF/2x.001µF	2.4			✓	2"	6.19"	1.5"
SW5 F	5	2x.0001µF/2x .0047µF/2x .0047µF/2x.001µF	2.4	✓			2"	4.95"	2"
SW5 FG	5	2x.0001µF/2x .0047µF/2x .0047µF/2x.001µF	2.4	✓			*	*	*
SW5 H	5	2x.0001µF/2x .0047µF/2x .0047µF/2x.001µF	2.4	✓			2"	4.95"	2"
SW5L	5	2x.0001µF/2x .0047µF/2x .0047µF/2x.001µF	2.4	✓			2"	6.44"	1.5"
SW5 FS	5	2x.0001µF/2x .0047µF/2x .0047µF/2x.001µF	2.4		✓		2"	5.01"	2"
SW5L S	5	2x.0001µF/2x .0047µF/2x .0047µF/2x.001µF	2.4		✓		*	*	*
SW5	5	*	2.4	*	*	*	*	*	*
SW5 S	5	*	*		✓		*	*	*
SW10C	10	2x.0001µF/2x .0047µF/2x .0047µF/2x.001µF	2.4			✓	2.75"	8.76"	1.75"

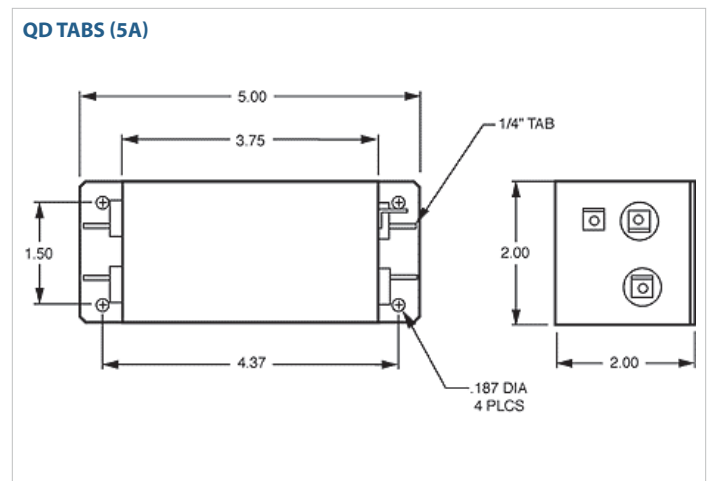
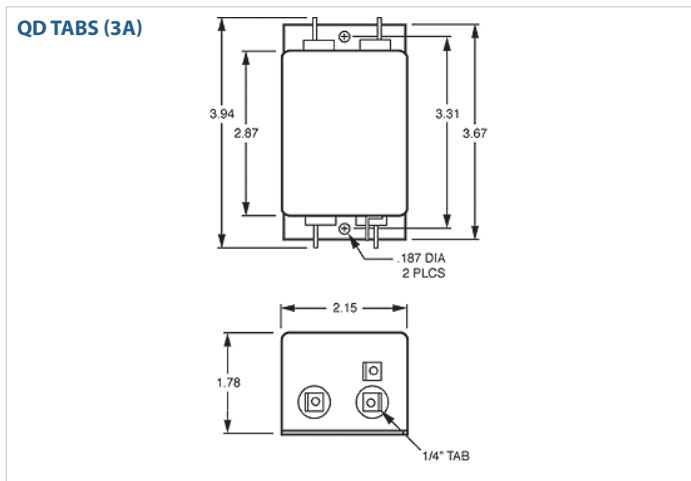
SW

WIDE BAND HIGH PERFORMANCE EMI FILTER

MODEL NO.	RATED CURRENT (A) @ 40° C	Y-CAP, nF	LEAKAGE CURRENT, mA @ 250V AC, 60 Hz	TERMINAL OPTIONS			MAX. DIMENSIONS" (MM)		
				(QD) INPUT/ OUTPUT	(S) INPUT/ OUTPUT	(C) INPUT/ OUTPUT	WIDTH	(LENGTH)	HEIGHT
SW10L	10	2x.0001µF/2x .0047µF/2x .0047µF/2x.001µF	2.4		✓		2.75"	8.76"	1.75"
SW10	10	*	2.4	*	*	*	*	*	*
SW20 F	20	2x.0001µF/2x .0068µF/2x .0068µF/2x.001µF	2.4		✓		3"	8.26"	3"
SW20 H	20	2x.0001µF/2x .0068µF/2x .0068µF/2x.001µF	2.4		✓		3"	8.26"	3"
SW20	20	Data Not Available	2.4	*	*	*	*	*	*
SW30	30	2x.0001µF/2x .0068µF/2x .0068µF/2x.001µF	2.4		✓		4"	8.66"	4"
SW30 F	30	2x.0001µF/2x .0068µF/2x .0068µF/2x.001µF	2.4		✓		4"	8.86"	4"
SW30 H	30	2x.0001µF/2x .0068µF/2x .0068µF/2x.001µF	2.4		✓		4"	8.86"	4"
SW45	45	*	3.5	*	*	*	*	*	*
SW60	60	*	3.5	*	*	*	*	*	*

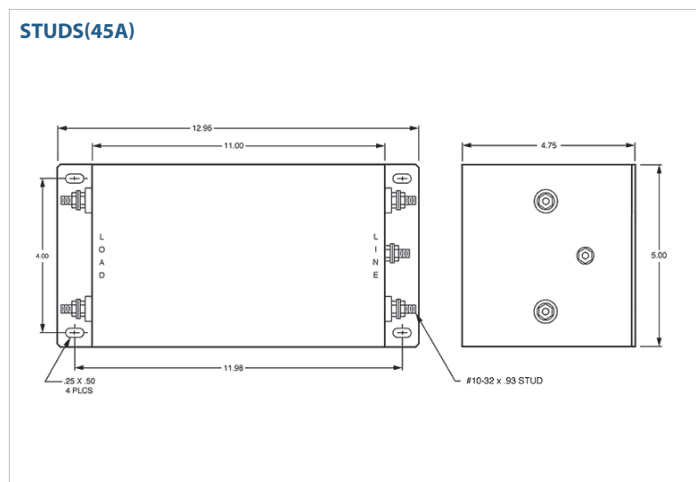
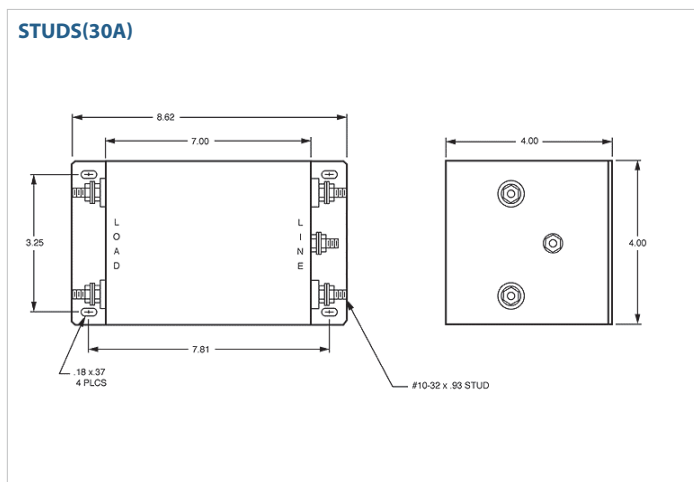
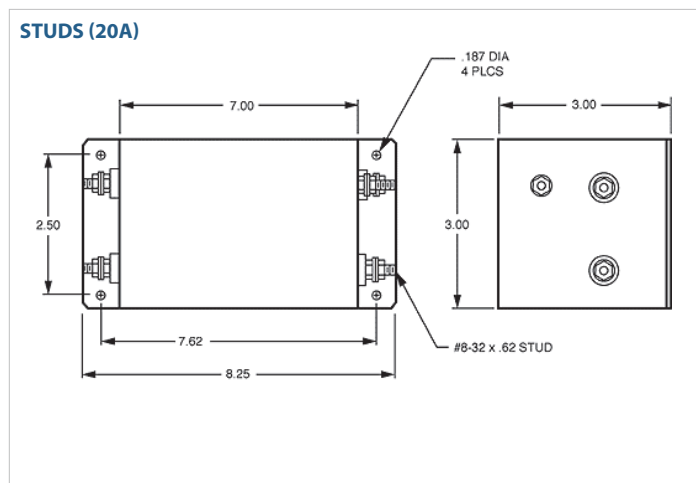
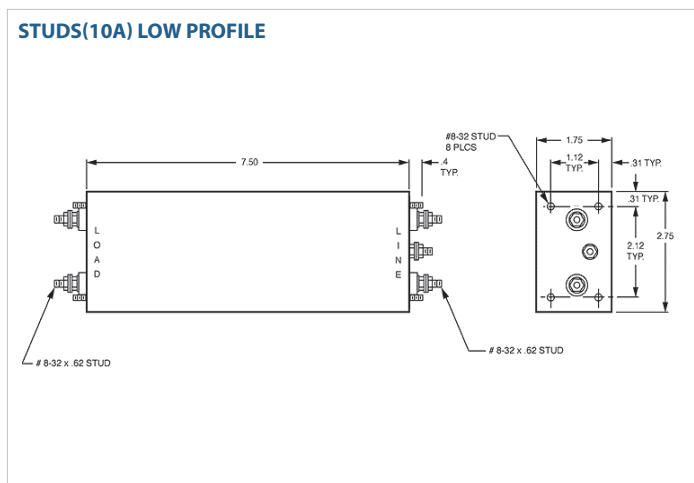
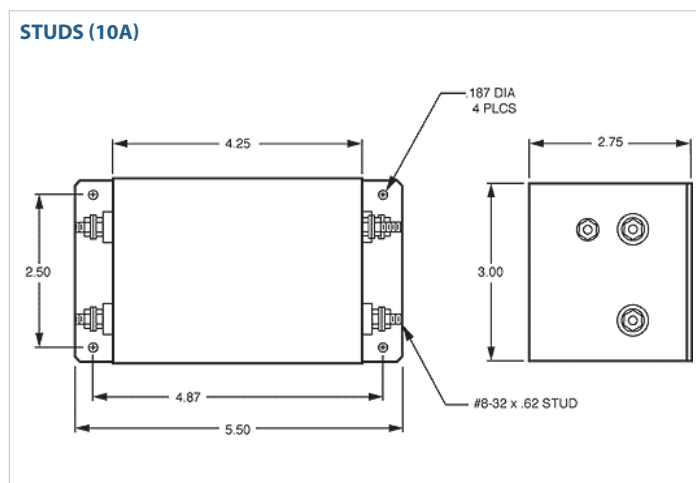
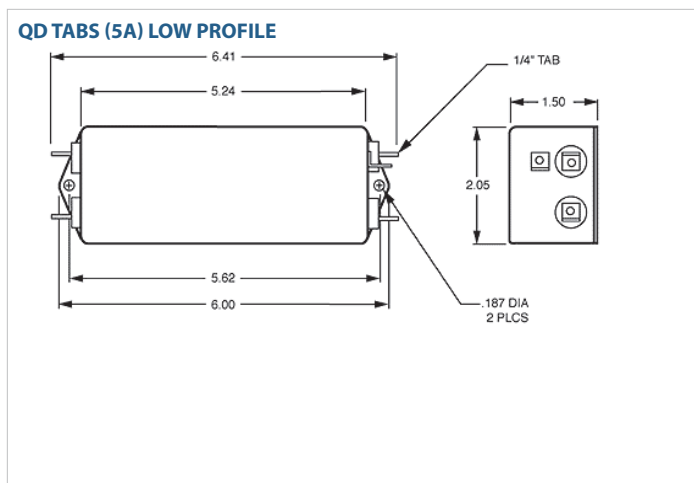
*Contact factory for part data.

SW MECHANICAL OUTLINES (MM)



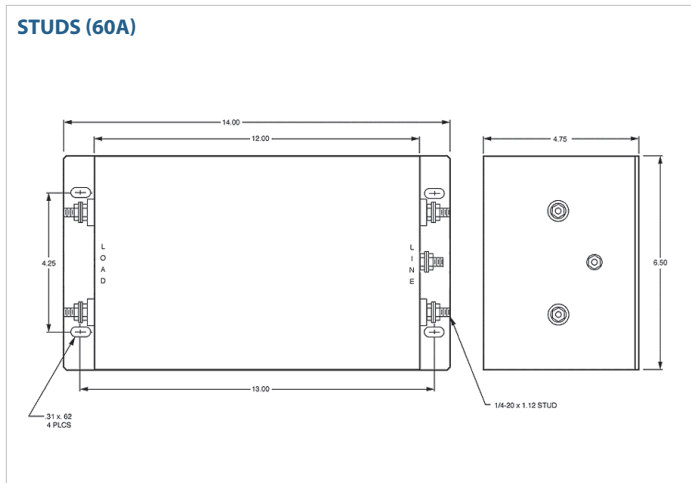
SW

WIDE BAND HIGH PERFORMANCE EMI FILTER



SW

WIDE BAND HIGH PERFORMANCE EMI FILTER



TYPICAL TOLERANCE: +/-0.02" (0.50MM)

TYPICAL INSERTION LOSS, dB (50/50 Ohm)

Amps	Freq (MHz)	Insertion Loss (dB)					
		0.15	0.5	1.0	10	30	
3	CM (dB)	*	65	59	59	59	
	DM (dB)	*	65	55	58	60	
5	CM (dB)	*	65	59	59	59	
	DM (dB)	*	65	55	58	60	
10	CM (dB)	*	65	59	59	59	
	DM (dB)	*	65	55	58	60	
20	CM (dB)	*	65	59	59	59	
	DM (dB)	*	65	55	58	60	
30	CM (dB)	*	70	59	59	59	
	DM (dB)	*	70	55	58	60	
45	CM (dB)	*	65	59	59	59	
	DM (dB)	*	65	55	58	60	
60	CM (dB)	*	65	59	59	59	
	DM (dB)	*	65	55	58	60	

*Contact factory for part data.