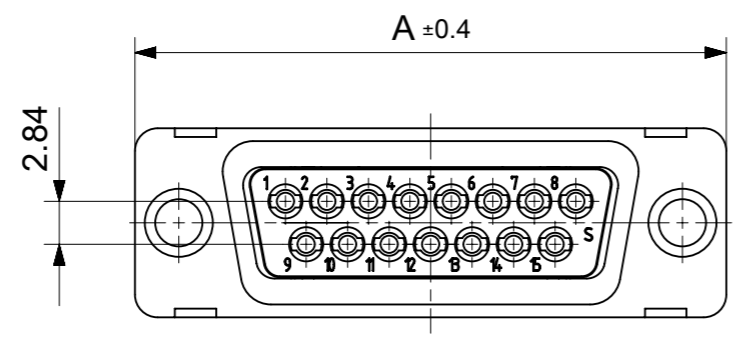
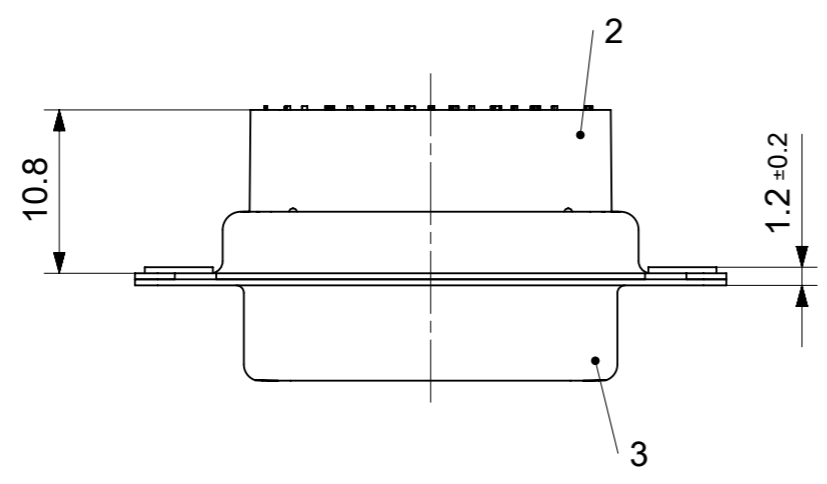
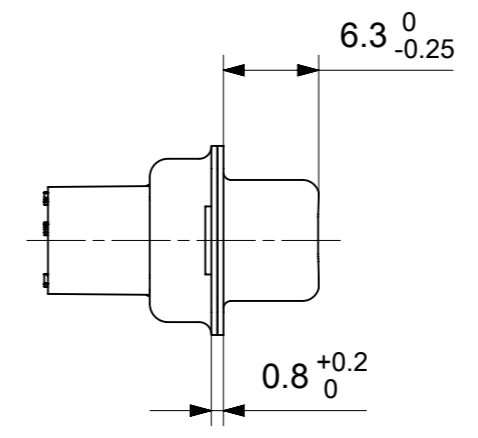
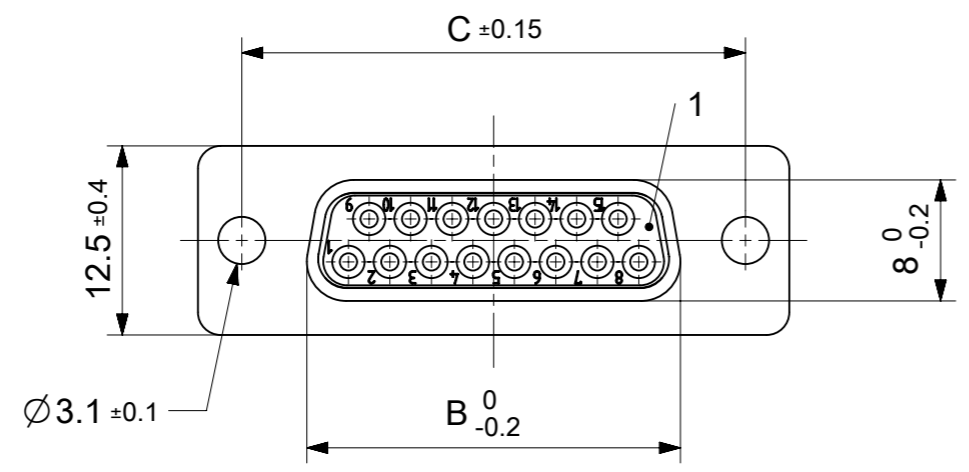


RoHS compliant
by exemption



FCT Part number:
FUxx*1)S7-1437
e.g. FU15S7-1437

*1) xx No. of contacts 09, 15, 25 or 37

Material Number	xx*1)	A[mm]	B[mm]	C[mm]
1731091981	09	30.8	16.4	25
1731091983	15	39.1	24.7	33.3
1731092187	25	53	38.5	47.04
-	37	69.3	54.9	63.5

Crimp contacts FK20P (AWG 20-24/1.3µm Au) included in delivery.

No.	Pc.	Part	Type Description/Material	Surface plating/Color/Class
3	1	Shell	Brass	1.3µm Au
2	1	Insulator rear part	PEI (-55°C to +130°C)	green
1	1	Insulator front part	PBT acc. UL94V-0	green

MEASUREMENTS WITHOUT TOLERANCE ACC TO ISO 2768-m

REPLACEMENT FOR DOCUMENT NUMBER: FyxxS7-1437

FUNCTIONAL SYMBOLS: THIS DRAWING CONTAINS INFORMATION THAT IS PROPRIETARY TO MOLEX ELECTRONIC TECHNOLOGIES, LLC AND SHOULD NOT BE USED WITHOUT WRITTEN PERMISSION

FUNCTIONAL DIMENSION UNITS: mm

SCALE: 2:1

GENERAL TOLERANCES (UNLESS SPECIFIED):

ANGULAR TOL: ± °

4 PLACES: ±

3 PLACES: ±

2 PLACES: ±

1 PLACE: ±

0 PLACES: ±

DIVISIONAL SYMBOLS: DRAFT WHERE APPLICABLE MUST REMAIN WITHIN DIMENSIONS

FIRST ANGLE PROJECTION

DRAWING: A3-SIZE

SERIES: 173109

MATERIAL NUMBER: SEE TABLE

CUSTOMER: GENERAL MARKET

SHEET NUMBER: 1 OF 1

EC NO: 717924

DRWN: SKANDB 2022/03/23

CHK'D: MTEUBEL 2022/08/18

APPR: MTEUBEL 2022/08/18

INITIAL REVISION: DRWN: SKANDB 2022/03/23

APPR: MTEUBEL 2022/08/18

DOCUMENT NUMBER: 1731091981

DOC TYPE: PSD

DOC PART: 000

REVISION: A

molex

FCT D-SUB CRIMP CONNECTOR

PRODUCT CUSTOMER DRAWING