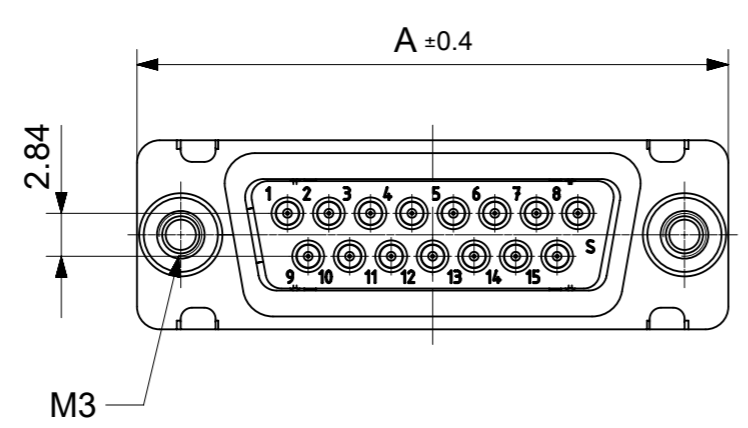
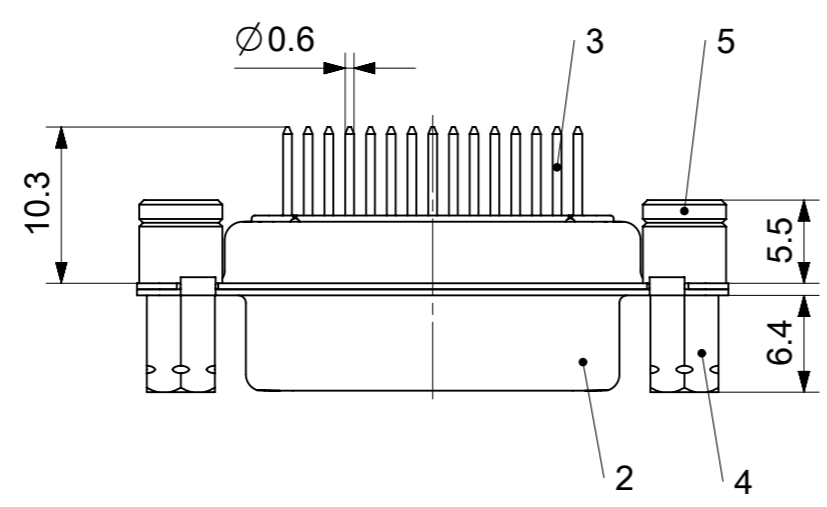
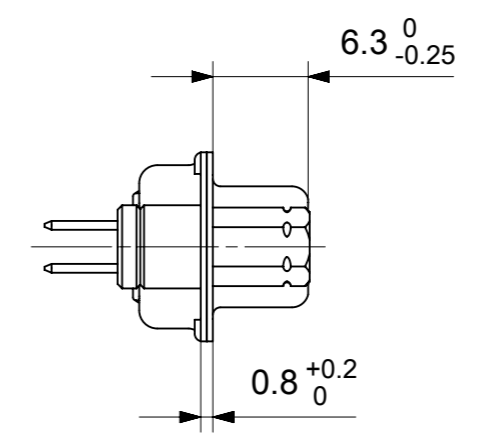
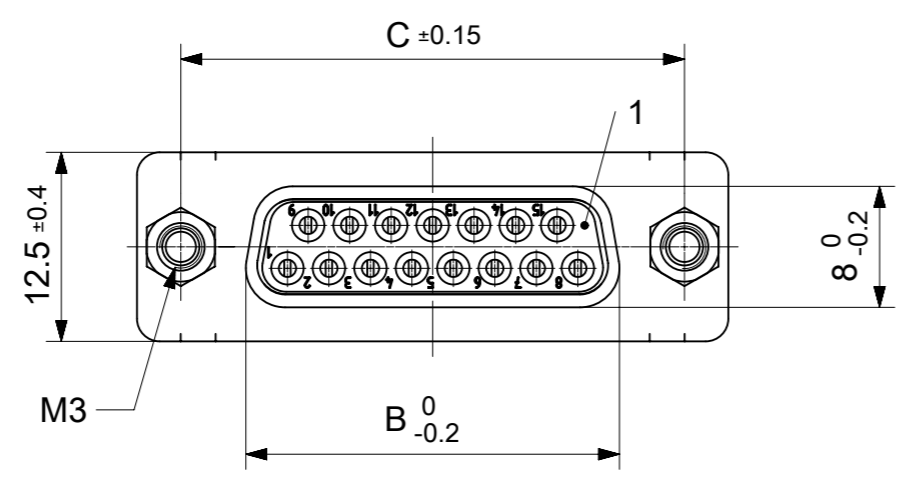


RoHS compliant
by exemption



FCT Part number:
Fxx*1)S1y*2)-1506
e.g. F15S1G1-1506
*1) xx No. of contacts 09, 15, 25 or 37
*2) y for performance classes 1, 2 or 3
(contact cycle for G1/G2/G3 = 500/200/50)

Material Number	xx*1)	y*2)	A[mm]	B[mm]	C[mm]	*E[mm]
1731092472	09	G2	30.8	16.4	25	Ø1
-	15	-	39.1	24.7	33.3	
1731091976	25	G1	53	38.5	47.04	
-	37	-	69.3	54.9	63.5	

*PCB hole patterns ØE see document 2195600023

5	2	Threaded spacer	M3 / Steel	tin plated
4	2	Threaded spacer	M3 / Steel	tin plated
3	xx	Signal contact	S1 / Brass	G1 / G2
2	1	Shell	Steel	tin plated
1	1	Insulator	PBT (-55°C to +125°C) acc. UL94V-0	white
No.	Pc.	Part	Type Description/Material	Surface plating/ Color/Class

MEASUREMENTS WITHOUT TOLERANCE ACC TO ISO 2768-m

REPLACEMENT FOR DOCUMENT NUMBER: FxxS1Gy-1506

FUNCTIONAL SYMBOLS: THIS DRAWING CONTAINS INFORMATION THAT IS PROPRIETARY TO MOLEX ELECTRONIC TECHNOLOGIES, LLC AND SHOULD NOT BE USED WITHOUT WRITTEN PERMISSION

FUNCTIONAL DIMENSION UNITS: mm SCALE: 2:1

GENERAL TOLERANCES (UNLESS SPECIFIED):

ANGULAR TOL ± °

4 PLACES ±

3 PLACES ±

2 PLACES ±

1 PLACE ±

0 PLACES ±

DIVISIONAL SYMBOLS: DRAFT WHERE APPLICABLE MUST REMAIN WITHIN DIMENSIONS

FIRST ANGLE PROJECTION

DRAWING: A3-SIZE

SERIES: 173109

MATERIAL NUMBER: SEE TABLE

CUSTOMER: GENERAL MARKET

SHEET NUMBER: 1 OF 1

EC NO: 707726

DRWN: SUGEEB 2021/12/02

CHK'D: MTEUBEL 2022/05/25

APPR: MTEUBEL 2022/05/25

INITIAL REVISION:

DRWN: SUGEEB 2021/12/02

APPR: MTEUBEL 2022/05/25

DOCUMENT NUMBER: 1731092472

DOC TYPE: PSD

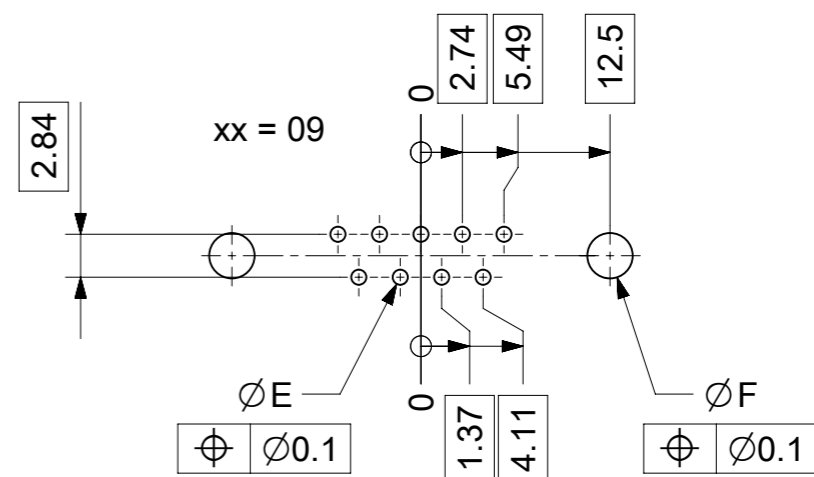
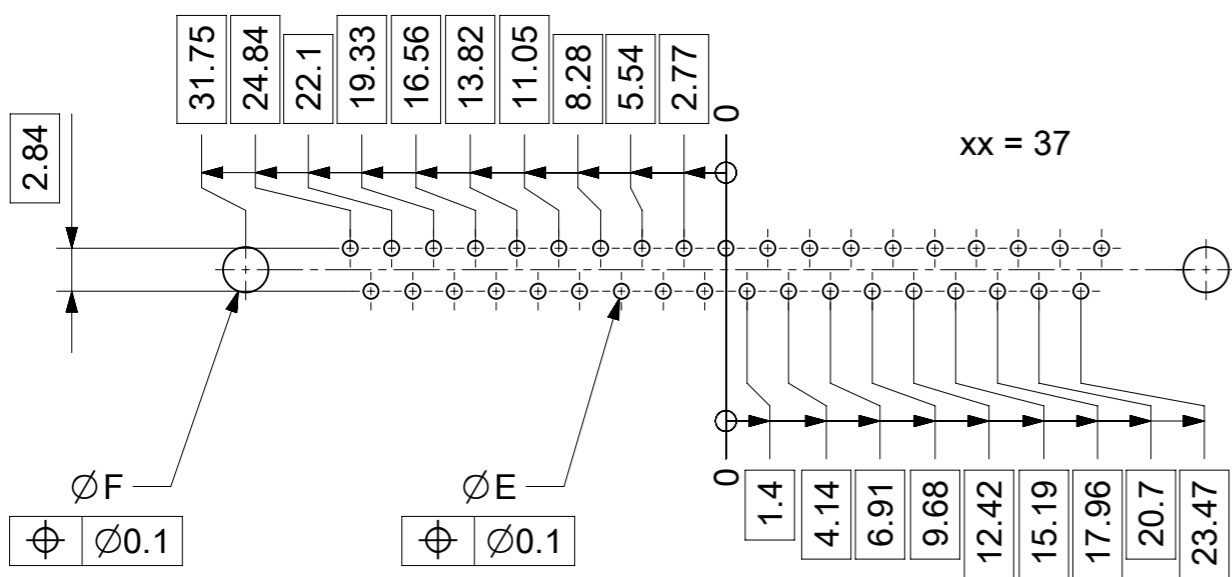
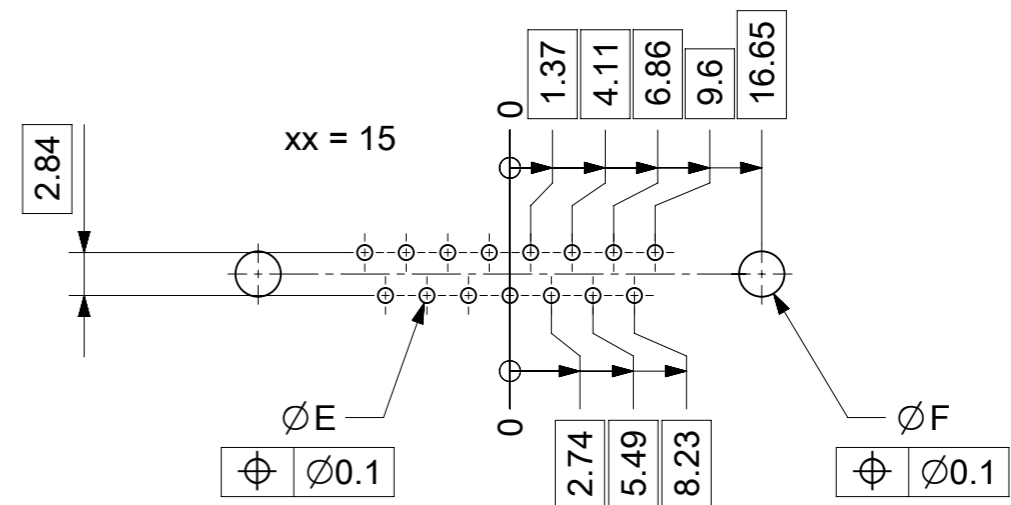
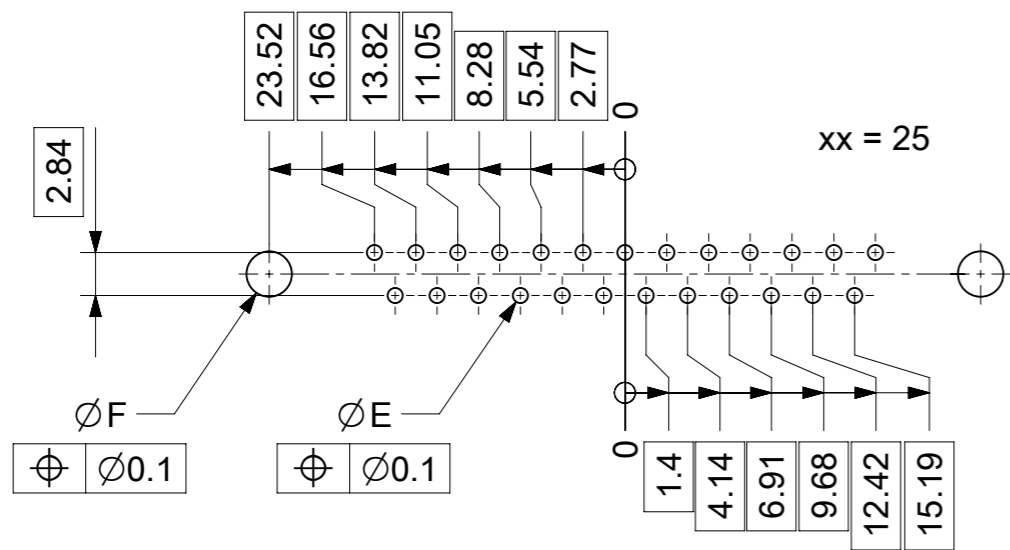
DOC PART: 000

REVISION: A

molex

FCT D-SUB MINIATURE CONNECTOR

PRODUCT CUSTOMER DRAWING



ØE, ØF see data sheet incl. connector
 ØF connectors with accessories only

MEASUREMENTS WITHOUT TOLERANCE ACC TO ISO 2768-m				REPLACEMENT FOR DOCUMENT NUMBER: AM0023			
THIS DRAWING CONTAINS INFORMATION THAT IS PROPRIETARY TO MOLEX ELECTRONIC TECHNOLOGIES, LLC AND SHOULD NOT BE USED WITHOUT WRITTEN PERMISSION							
FUNCTIONAL SYMBOLS	DIMENSION UNITS	SCALE	CURRENT REV DESC:				
▽A = 0	mm	2:1	EC NO: 713905				
▽E = 0	GENERAL TOLERANCES (UNLESS SPECIFIED)		DRWN: SKANDB 2022/05/16				
▽P = 0	ANGULAR TOL ± °		CHK'D: MTEUBEL 2022/07/12				
DIVISIONAL SYMBOLS	4 PLACES ±		APPR: MTEUBEL 2022/07/12				
	3 PLACES ±		INITIAL REVISION:				
	2 PLACES ±		DRWN: SKANDB 2022/05/16				
	1 PLACE ±		APPR: MTEUBEL 2022/07/12				
	0 PLACES ±		DOCUMENT NUMBER: 2195600023				
DRAFT WHERE APPLICABLE MUST REMAIN WITHIN DIMENSIONS		FIRST ANGLE PROJECTION	DRAWING	SERIES	MATERIAL NUMBER	CUSTOMER	DOC TYPE DOC PART REVISION
			A3-SIZE	219560	219560	GENERAL MARKET	PSD 000 A
DOCUMENT STATUS		P1	RELEASE DATE	2022/07/12	08:25:55	SHEET NUMBER	
						1 OF 1	