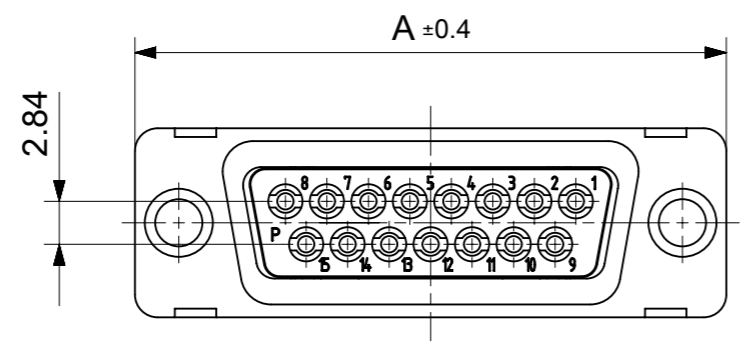
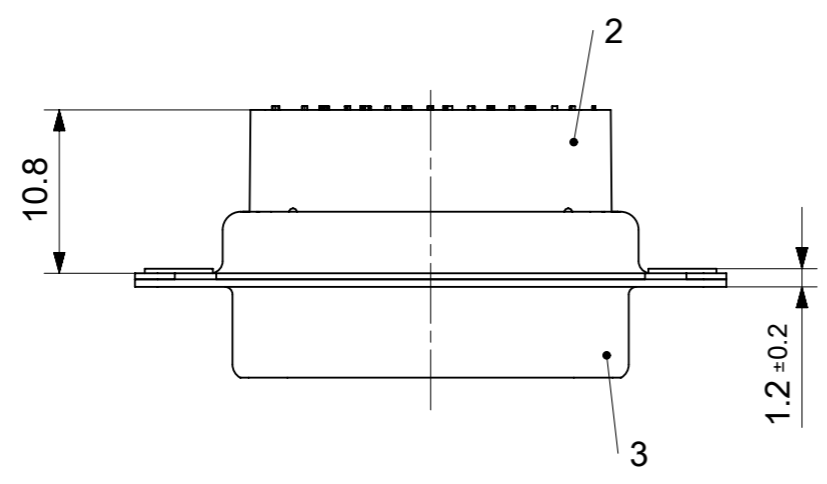
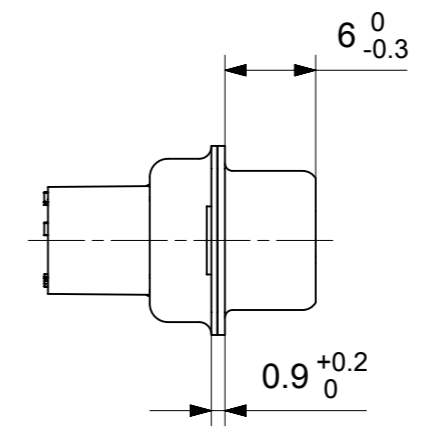
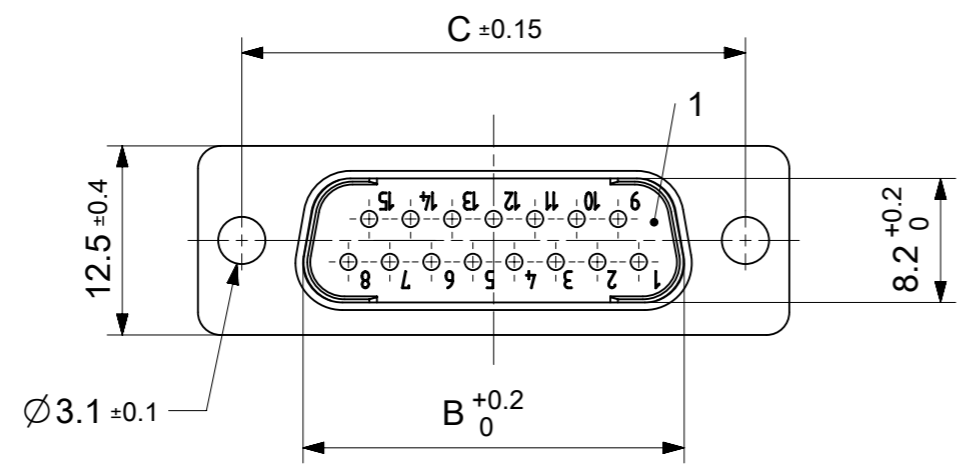


RoHS compliant
by exemption



FCT Part number:
FUxx*1)P7-1437
e.g. FU15P7-1437
*1) xx No. of contacts 09, 15, 25 or 37

Material Number	xx*1)	A[mm]	B[mm]	C[mm]
1731091980	09	30.8	16.9	25
1731091982	15	39.1	25.2	33.3
1731092186	25	53	38.9	47.04
-	37	69.3	55.3	63.5

Crimp contacts FK20P (AWG 20-24/1.3µm Au) included in delivery.

No.	Pc.	Part	Type Description/Material	Surface plating/Color/Class
3	1	Shell	Brass	1.3µm Au
2	1	Insulator rear part	PEI (-55°C to +130°C)	green
1	1	Insulator front part	PBT acc. UL94V-0	green

MEASUREMENTS WITHOUT TOLERANCE ACC TO ISO 2768-m

REPLACEMENT FOR DOCUMENT NUMBER: FyxxP7-1437

FUNCTIONAL SYMBOLS: THIS DRAWING CONTAINS INFORMATION THAT IS PROPRIETARY TO MOLEX ELECTRONIC TECHNOLOGIES, LLC AND SHOULD NOT BE USED WITHOUT WRITTEN PERMISSION

FUNCTIONAL SYMBOLS: DIMENSION UNITS: mm, SCALE: 2:1

GENERAL TOLERANCES (UNLESS SPECIFIED): ANGULAR TOL ± °

DIVISIONAL SYMBOLS: 4 PLACES ±, 3 PLACES ±, 2 PLACES ±, 1 PLACE ±, 0 PLACES ±

EC NO: 717924
DRWN: SKANDB 2022/03/22
CHK'D: MTEUBEL 2022/08/18
APPR: MTEUBEL 2022/08/18

INITIAL REVISION:
DRWN: SKANDB 2022/03/22
APPR: MTEUBEL 2022/08/18

molex

FCT D-SUB CRIMP CONNECTOR

PRODUCT CUSTOMER DRAWING

DOCUMENT NUMBER: 1731091980
DOC TYPE: PSD
DOC PART: 000
REVISION: A

DRAFT WHERE APPLICABLE MUST REMAIN WITHIN DIMENSIONS

FIRST ANGLE PROJECTION

DRAWING: A3-SIZE
SERIES: 173109
MATERIAL NUMBER: SEE TABLE
CUSTOMER: GENERAL MARKET
SHEET NUMBER: 1 OF 1