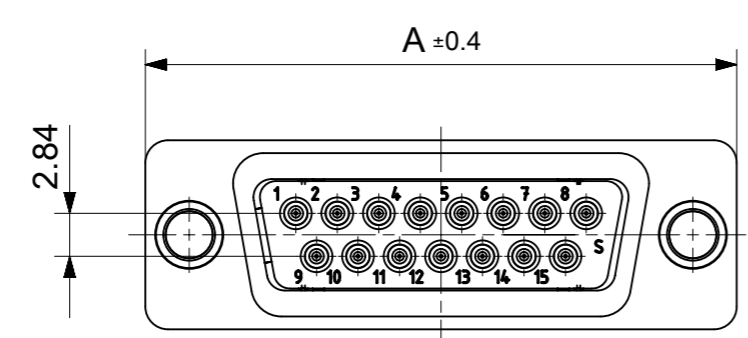
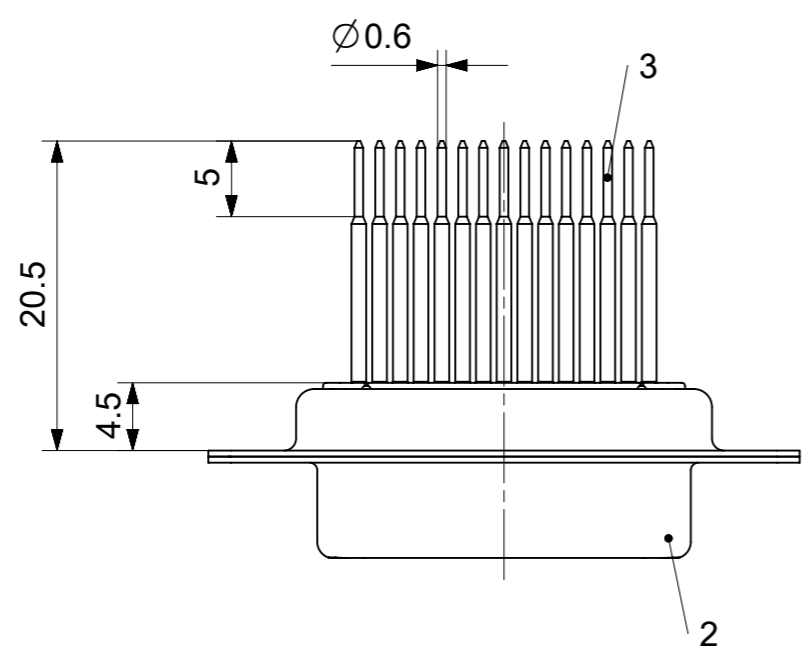
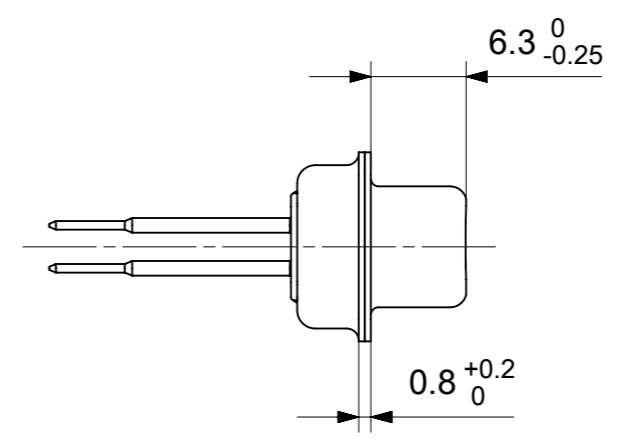
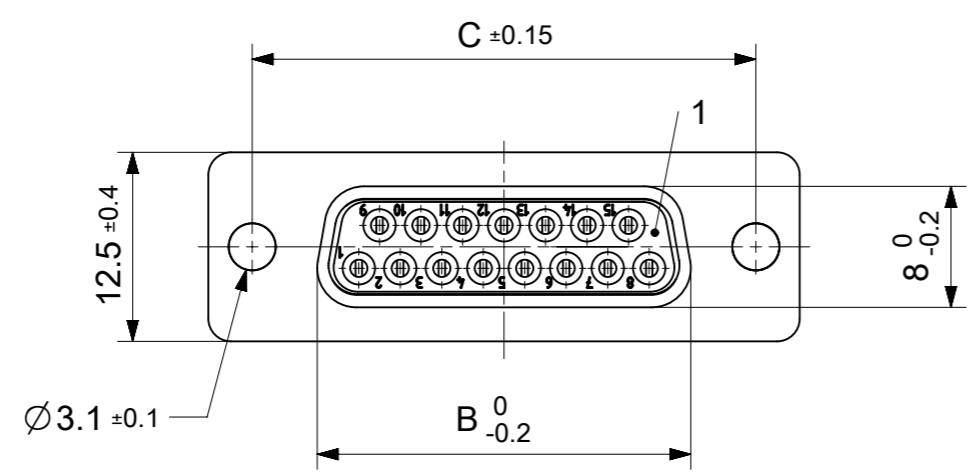


RoHS compliant  
by exemption



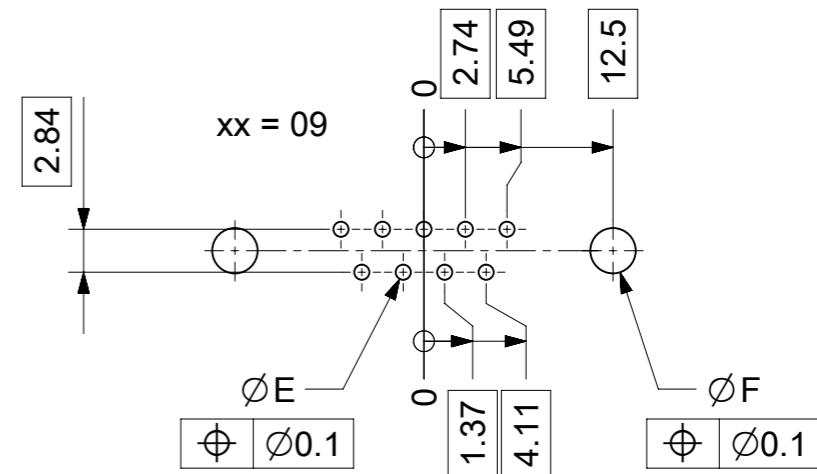
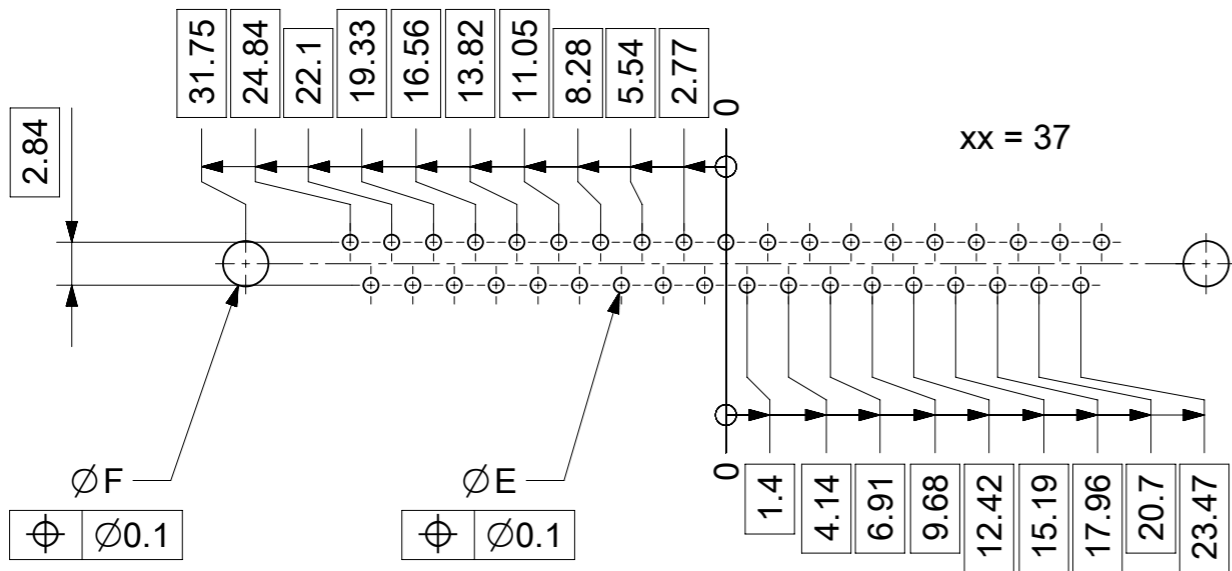
FCT Part number:  
Fxx\*1)S18G2  
e.g. F15S18G2  
\*1) xx No. of contacts 09, 15, 25 or 37  
\*2) y for performance classes 1, 2 or 3  
(contact cycle for G1/G2/G3 = 500/200/50)

Material Number	xx*1)	y*2)	A[mm]	B[mm]	C[mm]	*E[mm]
1731090889	09	G2	30.8	16.4	25	Ø1
1731090910	15	G2	39.1	24.7	33.3	
1731090928	25	G2	53	38.5	47.04	
-	37	-	69.3	54.9	63.5	

\*PCB hole patterns ØE see document 2195600023

3	xx	Signal contact	S18 / Brass	G2
2	1	Shell	Steel	tin plated
1	1	Insulator	PBT (-55°C to +125°C) acc. UL94V-0	white
No.	Pc.	Part	Type Description/Material	Surface plating/ Color/Class

MEASUREMENTS WITHOUT TOLERANCE ACC TO ISO 2768-m			REPLACEMENT FOR DOCUMENT NUMBER: FxxS18Gy				
FUNCTIONAL SYMBOLS	THIS DRAWING CONTAINS INFORMATION THAT IS PROPRIETARY TO MOLEX ELECTRONIC TECHNOLOGIES, LLC AND SHOULD NOT BE USED WITHOUT WRITTEN PERMISSION		<div style="text-align: center; font-size: 2em; font-weight: bold;">molex</div> <p>FCT D-SUB MINIATURE CONNECTOR</p> <p>PRODUCT CUSTOMER DRAWING</p>				
FUNCTIONAL SYMBOLS	DIMENSION UNITS	SCALE				CURRENT REV DESC:	
FUNCTIONAL SYMBOLS	mm	2:1				EC NO: 712793	
FUNCTIONAL SYMBOLS	GENERAL TOLERANCES (UNLESS SPECIFIED)					DRWN: SKANDB 2021/12/17	
DIVISIONAL SYMBOLS	ANGULAR TOL ± °		CHK'D: MTEUBEL 2022/07/04				
DIVISIONAL SYMBOLS	4 PLACES ±		APPR: MTEUBEL 2022/07/04				
DIVISIONAL SYMBOLS	3 PLACES ±		INITIAL REVISION:				
DIVISIONAL SYMBOLS	2 PLACES ±		DRWN: SKANDB 2021/12/17				
DIVISIONAL SYMBOLS	1 PLACE ±		APPR: MTEUBEL 2022/07/04				
DIVISIONAL SYMBOLS	0 PLACES ±		DOCUMENT NUMBER				
DRAFT WHERE APPLICABLE MUST REMAIN WITHIN DIMENSIONS		FIRST ANGLE PROJECTION	DRAWING	SERIES	MATERIAL NUMBER		
			A3-SIZE	173109	1731090889		
					CUSTOMER		
					GENERAL MARKET		
					DOC TYPE		
					PSD		
					DOC PART		
					000		
					REVISION		
					A		
					SHEET NUMBER		
					1 OF 1		



ØE, ØF see data sheet incl. connector  
 ØF connectors with accessories only

MEASUREMENTS WITHOUT TOLERANCE ACC TO ISO 2768-m			REPLACEMENT FOR DOCUMENT NUMBER: AM0023			
THIS DRAWING CONTAINS INFORMATION THAT IS PROPRIETARY TO MOLEX ELECTRONIC TECHNOLOGIES, LLC AND SHOULD NOT BE USED WITHOUT WRITTEN PERMISSION						
FUNCTIONAL SYMBOLS	DIMENSION UNITS	SCALE	CURRENT REV DESC:			
$\nabla_A = 0$	mm	2:1	EC NO: 713905			
$\nabla_E = 0$	GENERAL TOLERANCES (UNLESS SPECIFIED)		DRWN: SKANDB 2022/05/16			
$\nabla_P = 0$	ANGULAR TOL ± °		CHK'D: MTEUBEL 2022/07/12			
DIVISIONAL SYMBOLS	4 PLACES ±		APPR: MTEUBEL 2022/07/12			
	3 PLACES ±		INITIAL REVISION:			
	2 PLACES ±		DRWN: SKANDB 2022/05/16			
	1 PLACE ±		APPR: MTEUBEL 2022/07/12			
	0 PLACES ±		DOCUMENT NUMBER			
DRAFT WHERE APPLICABLE MUST REMAIN WITHIN DIMENSIONS		FIRST ANGLE PROJECTION	DRAWING	SERIES	MATERIAL NUMBER	CUSTOMER
			A3-SIZE	219560	219560	GENERAL MARKET
			PRODUCT CUSTOMER DRAWING		REVISION	
			2195600023		A	
			PSD 000		1 OF 1	