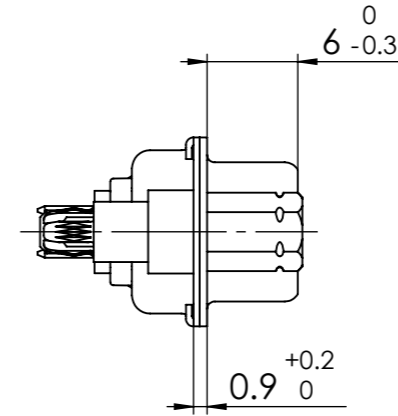
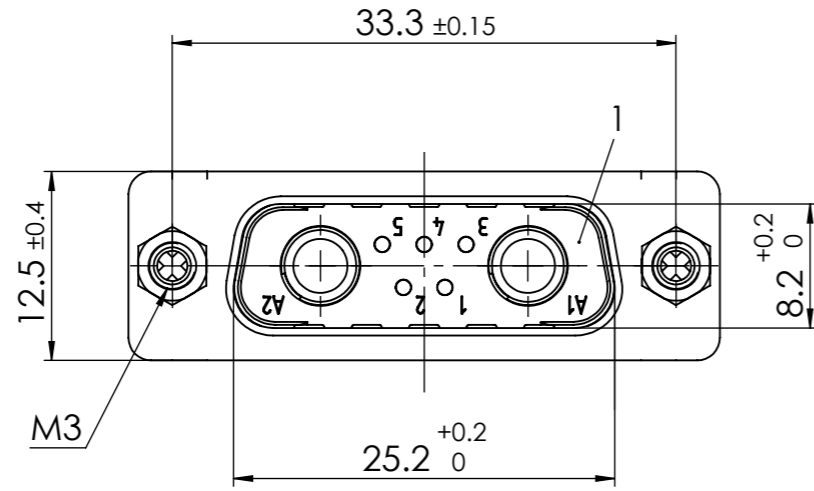
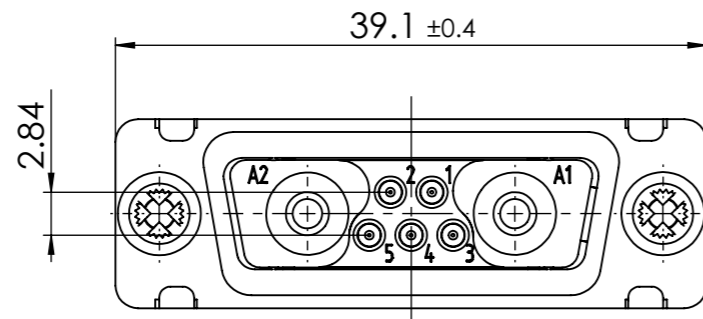
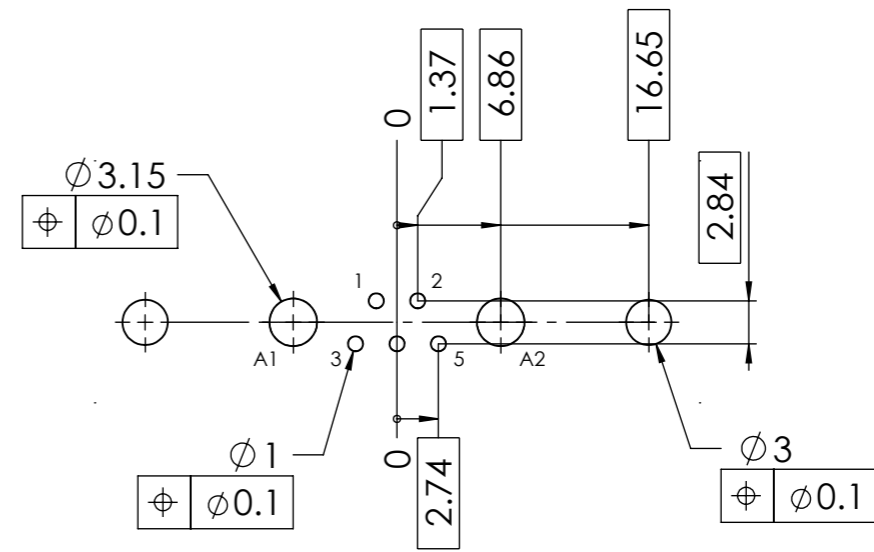
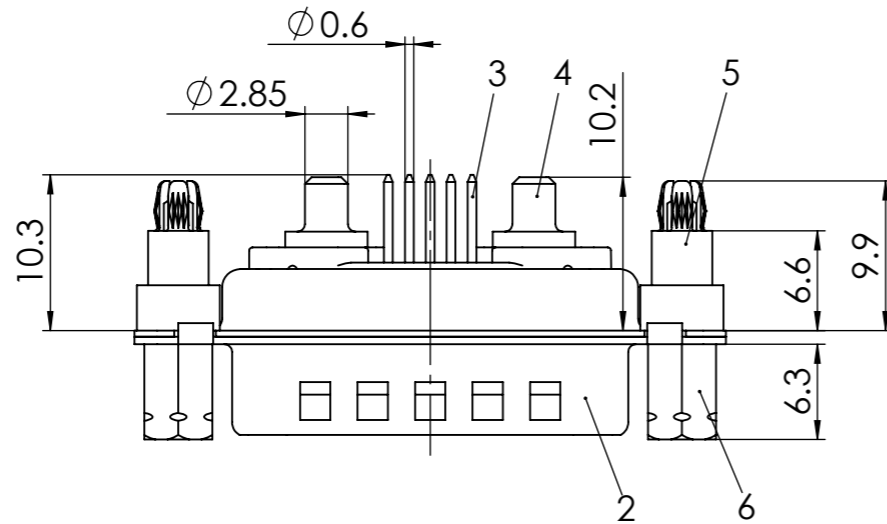


RoHS compliant
by exemption



PCB hole pattern, mounting side



No.	St.	Part	Type Description/Material	Surface plating/Colour/Class
6	2	Threaded spacer	M3 / Steel	tin plated
5	2	Snap-in bolt	PCB 1.6mm / Brass	tin plated
4	2	High power contact	FMP010P104	20A
3	5	Signal contact	P1 / Brass	0.8µm Au
2	1	Shell	Steel	tin plated
1	1	Insulator	PBT (-55°C to +130°C) acc. UL94V-0	green

FUNCTIONAL SYMBOLS					THIS DRAWING CONTAINS INFORMATION THAT IS PROPRIETARY TO MOLEX ELECTRONIC TECHNOLOGIES, LLC AND SHOULD NOT BE USED WITHOUT WRITTEN PERMISSION				
▽ = 0	▽ = 0	▽ = 0	DIMENSION UNITS	SCALE	MEASUREMENTS WITHOUT TOLERANCE ACC. TO ISO 2768-m			molex	
			mm	2:1					
					CURRENT REVISION			FCT D-Sub Mixed-Layout Connector	
					DRWN: DRAWN BY msteinbrueck 05-09-2023			PRODUCT CUSTOMER DRAWING	
					APPR: APPR BY mteubel 15-09-2023			MATERIAL NUMBER	
					INITIAL REVISION			REVISION	
					DRWN: DRAWN BY birgit.rinder 20-08-2010			1731071115	
					APPR: APPR BY sschref 23-08-2010			2	
					REPLACEMENT FOR: 1731071115_Rev. A1			DOCUMENT NUMBER	
					FRIST ANGLE PROJECTION			CUSTOMER	
					DRAWING A3-SIZE			GENERAL MARKET	
								SHEET NUMBER 1 OF 1	

COMMENT: ALL RIGHTS ARE RESERVED BY US FOR THIS DRAWING. WITHOUT OUR PRIOR CONSENT, IT MAY NEITHER BE DUPLICATED NOR MADE AVAILABLE TO A THIRD PARTY. AND IT ALSO MAY NOT BE IMPROPERLY USED BY THE RECEIVER, OR A THIRD PARTY.