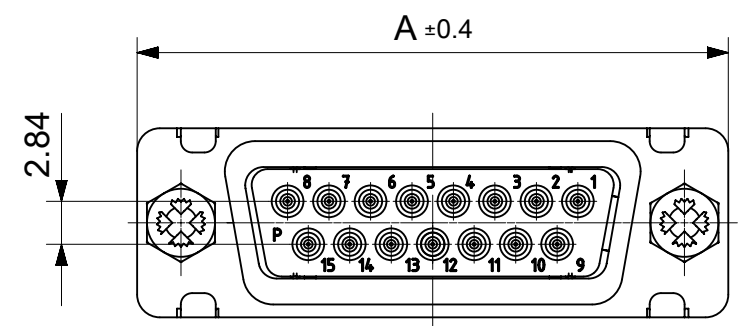
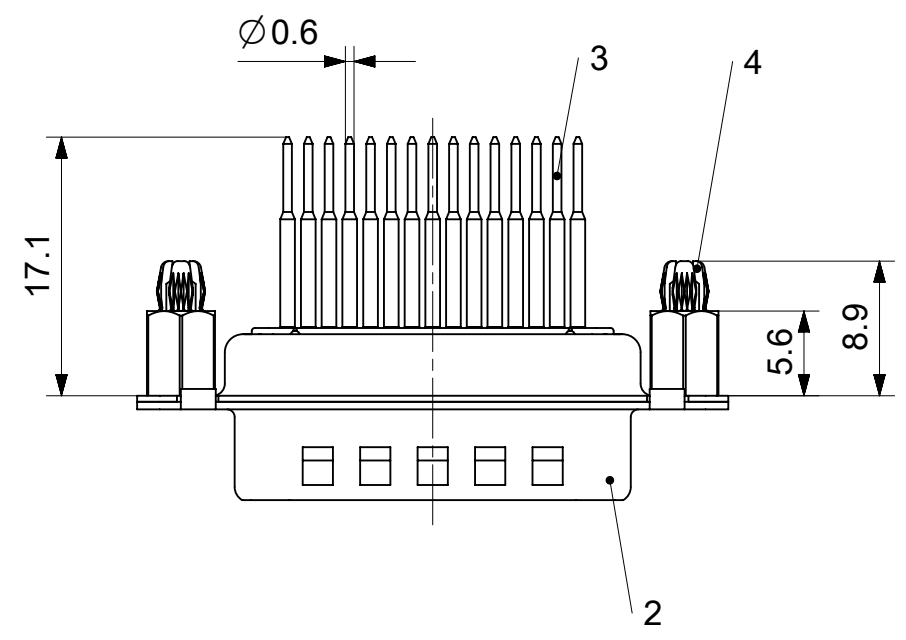
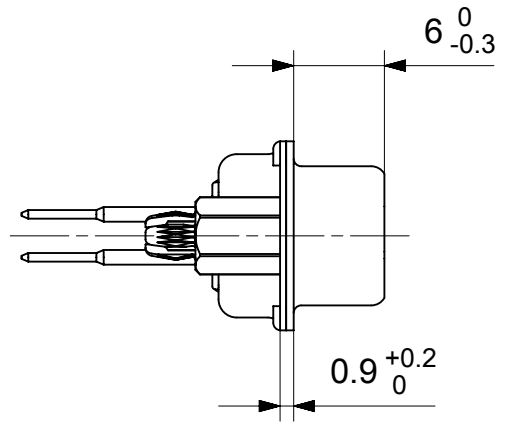
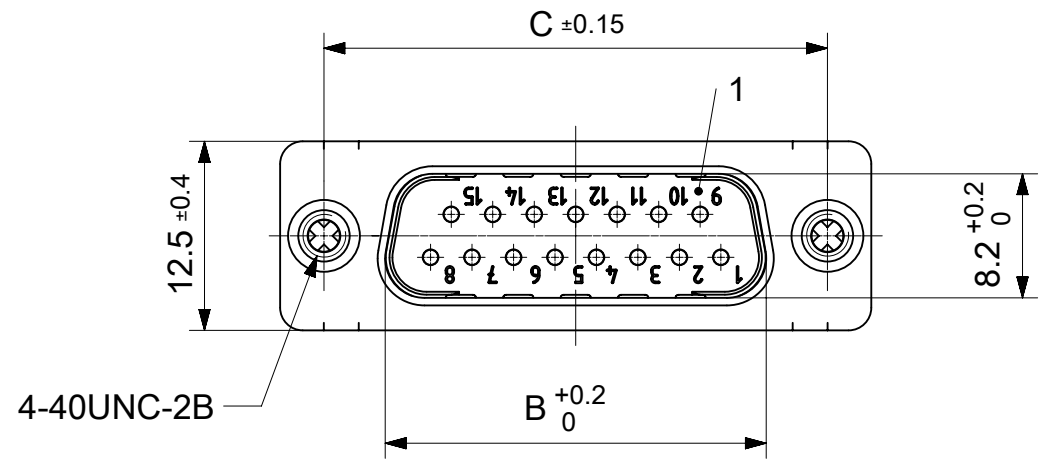


RoHS compliant  
by exemption



FCT Part number:

Fxx\*1)P80G1-0981

e.g. F15P80G1-0981

\*1) xx No. of contacts 09, 15, 25 or 37

\*2) y for performance classes 1, 2 or 3

(contact cycle for G1/G2/G3 = 500/200/50)

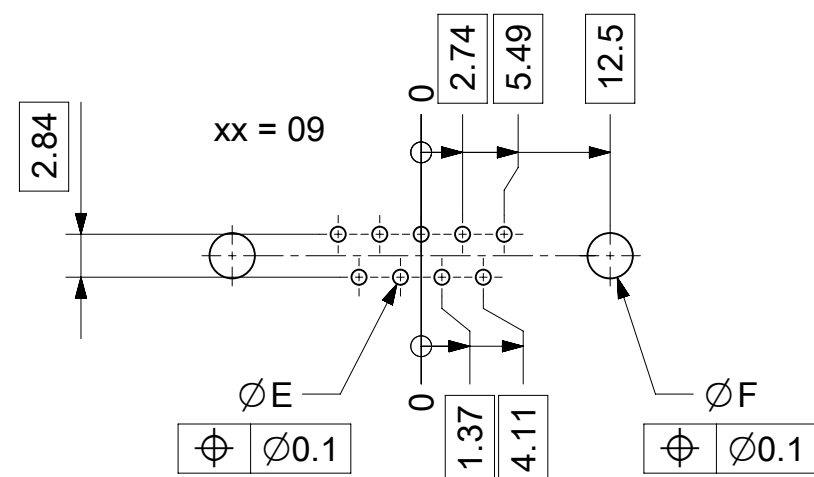
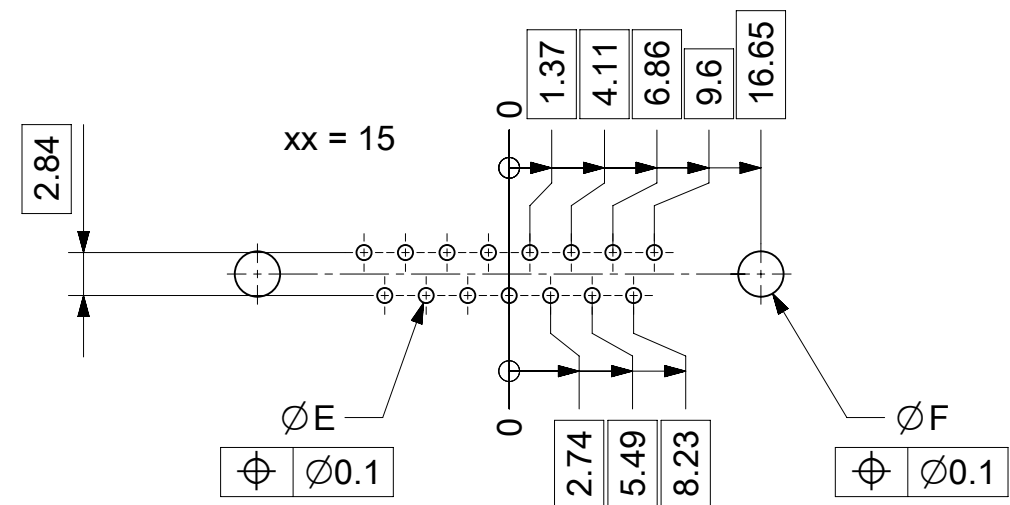
Material Number	xx*1)	y*2)	A[mm]	B[mm]	C[mm]	*E[mm]	*F[mm]
1731091298	09	G1	30.8	16.9	25	Ø1	Ø3
-	15	-	39.1	25.2	33.3		
-	25	-	53	38.9	47.04		
-	37	-	69.3	55.3	63.5		

\*PCB hole patterns ØE, ØF see document 2195600023

No.	Pc.	Part	Type Description/Material	Surface plating/Color/Class
4	2	Snap-in bolt	PCB 1.6mm / Brass	tin plated
3	xx	Signal contact	P80 / Brass	G1
2	1	Shell	Steel	tin plated
1	1	Insulator	PBT (-55°C to +125°C) acc. UL94V-0	white

MEASUREMENTS WITHOUT TOLERANCE ACC TO ISO 2768-m REPLACEMENT FOR DOCUMENT NUMBER: FxxP80Gy-0981

FUNCTIONAL SYMBOLS	THIS DRAWING CONTAINS INFORMATION THAT IS PROPRIETARY TO MOLEX ELECTRONIC TECHNOLOGIES, LLC AND SHOULD NOT BE USED WITHOUT WRITTEN PERMISSION	CURRENT REV DESC:		<h1>molex</h1>				
	<table border="1"> <tr> <th>DIMENSION UNITS</th> <th>SCALE</th> </tr> <tr> <td>mm</td> <td>2:1</td> </tr> </table>	DIMENSION UNITS	SCALE		mm	2:1	EC NO: 712793	
	DIMENSION UNITS	SCALE						
	mm	2:1						
GENERAL TOLERANCES (UNLESS SPECIFIED)		DRWN: SUGEEB 2021/12/15						
ANGULAR TOL ± °		CHK'D: MTEUBEL 2022/07/04						
DIVISIONAL SYMBOLS	4 PLACES ±		APPR: MTEUBEL 2022/07/04	FCT D-SUB MINIATURE CONNECTOR				
	3 PLACES ±		INITIAL REVISION:					
	2 PLACES ±		DRWN: SUGEEB 2021/12/15					
	1 PLACE ±		APPR: MTEUBEL 2022/07/04					
0 PLACES ±		DOCUMENT NUMBER		PRODUCT CUSTOMER DRAWING				
DRAFT WHERE APPLICABLE MUST REMAIN WITHIN DIMENSIONS		1731091298						
FIRST ANGLE PROJECTION		DOC TYPE DOC PART REVISION						
DRAWING		PSD 000 A						
SERIES		DOCUMENT NUMBER		SHEET NUMBER				
A3-SIZE		173109						
MATERIAL NUMBER		CUSTOMER						
SEE TABLE		GENERAL MARKET						
SHEET NUMBER		1 OF 1						



ØE, ØF see data sheet incl. connector  
 ØF connectors with accessories only

MEASUREMENTS WITHOUT TOLERANCE ACC TO ISO 2768-m			REPLACEMENT FOR DOCUMENT NUMBER: AM0023		
THIS DRAWING CONTAINS INFORMATION THAT IS PROPRIETARY TO MOLEX ELECTRONIC TECHNOLOGIES, LLC AND SHOULD NOT BE USED WITHOUT WRITTEN PERMISSION					
FUNCTIONAL SYMBOLS	DIMENSION UNITS	SCALE	CURRENT REV DESC:		
$\nabla_A = 0$	mm	2:1	EC NO: 713905		
$\nabla_E = 0$	GENERAL TOLERANCES (UNLESS SPECIFIED)		DRWN: SKANDB 2022/05/16		
$\nabla_F = 0$	ANGULAR TOL ± °		CHK'D: MTEUBEL 2022/07/12		
DIVISIONAL SYMBOLS	4 PLACES ±		APPR: MTEUBEL 2022/07/12		
	3 PLACES ±		INITIAL REVISION:		
	2 PLACES ±		DRWN: SKANDB 2022/05/16		
	1 PLACE ±		APPR: MTEUBEL 2022/07/12		
	0 PLACES ±		DRAFT WHERE APPLICABLE MUST REMAIN WITHIN DIMENSIONS		
	FIRST ANGLE PROJECTION	DRAWING	SERIES	MATERIAL NUMBER	CUSTOMER
		A3-SIZE	219560	219560	GENERAL MARKET
			DOCUMENT NUMBER	DOC TYPE	DOC PART
			2195600023	PSD	000
			REVISION		
			A		
			SHEET NUMBER		
			1 OF 1		