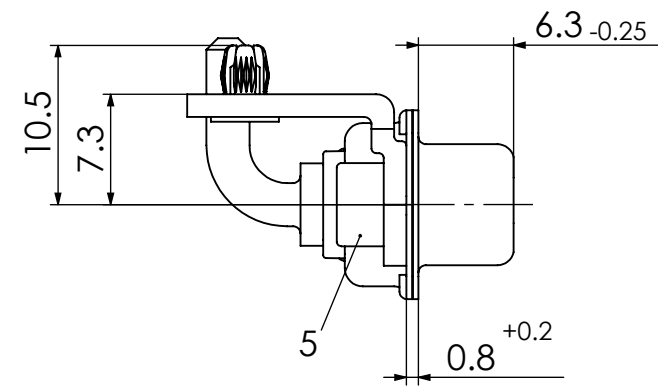
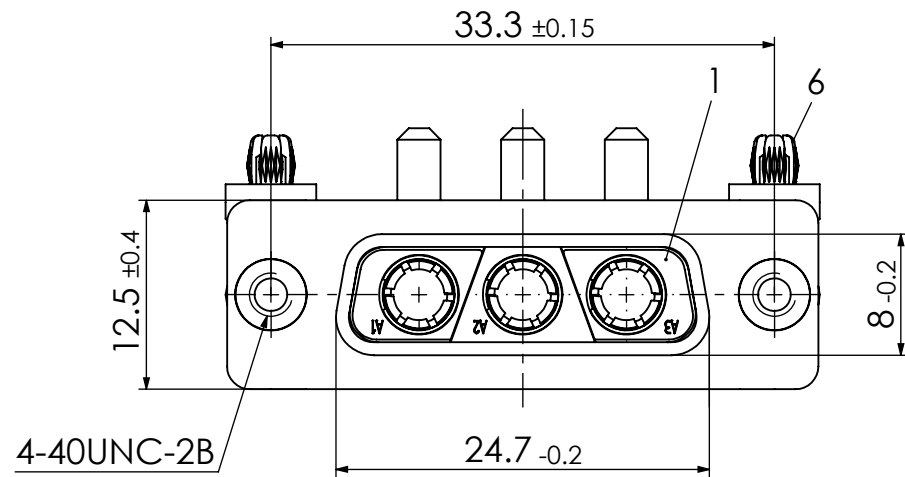
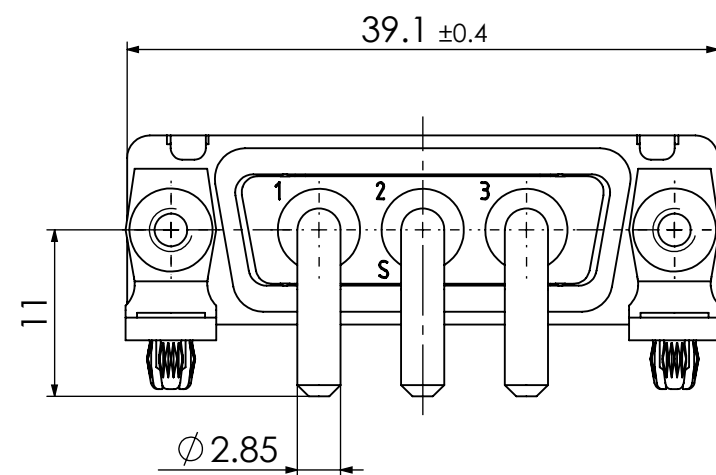
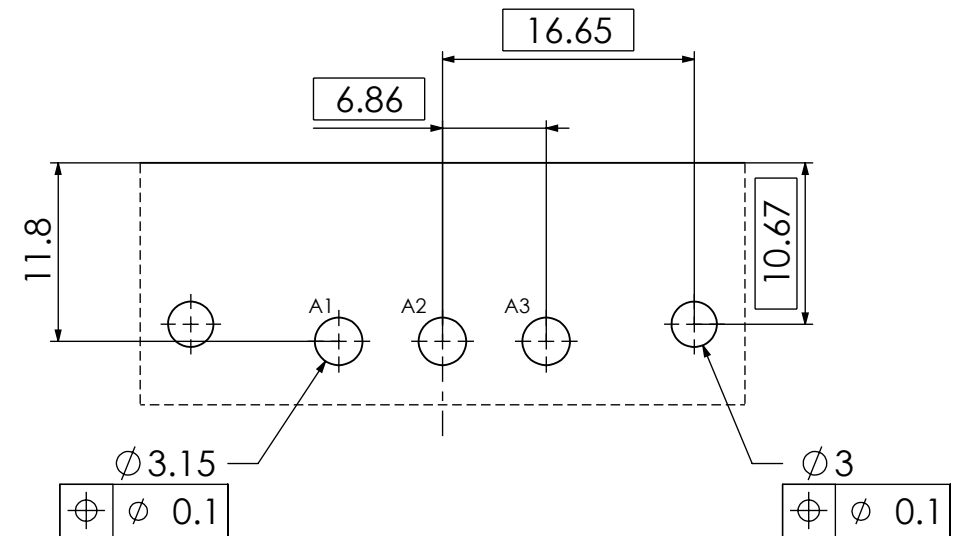
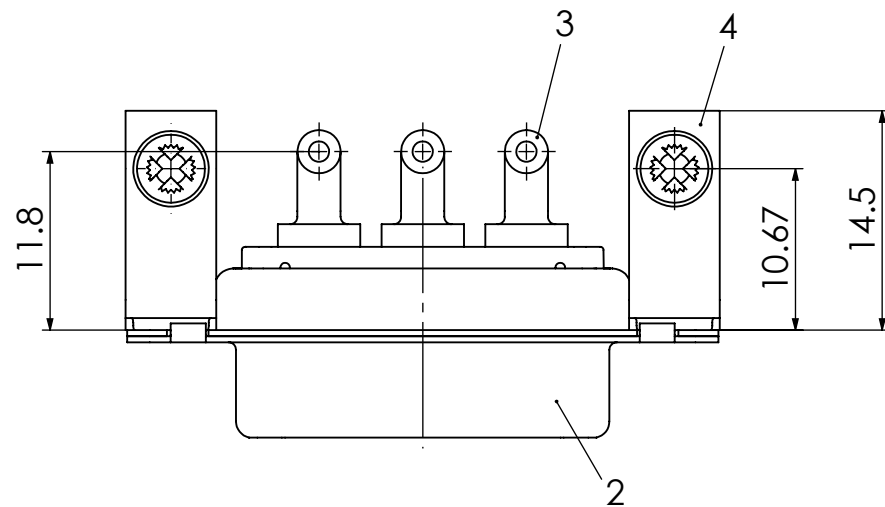


RoHS compliant
by exemption



PCB hole pattern, mounting side



No.	St.	Part	Type Description/Material	Surface plating/Colour/Class
6	2	Snap-in rivet	PCB 1.6mm / Brass	tin plated
5	2	Clinch nut	MW 4-40 / Steel	tin plated
4	2	Bracket	F1080-13B / Steel	tin plated
3	3	High power contact	FMP008S104R	40A
2	1	Shell	Steel	tin plated
1	1	Insulator	PBT (-55°C to +130°C) acc. UL94V-0	black

FUNCTIONAL SYMBOLS					THIS DRAWING CONTAINS INFORMATION THAT IS PROPRIETARY TO MOLEX ELECTRONIC TECHNOLOGIES, LLC AND SHOULD NOT BE USED WITHOUT WRITTEN PERMISSION					
▽ = 0	DIMENSION UNITS	SCALE	MEASUREMENTS WITHOUT TOLERANCE ACC. TO ISO 2768-m							
▽ = 0	mm	2:1								
▽ = 0	CURRENT REVISION		DRWN: DRAWN BY gkrimshandl 18-05-2022		FCT D-Sub Mixed-Layout Connector					
	APPR: APPR BY mteubel 29-11-2023									
2		24410		INITIAL REVISION		PRODUCT CUSTOMER DRAWING				
1				DRWN: DRAWN BY ADenzinger 11-05-2006						
REV.		CH.-NO.		APPR: APPR BY skusber 11-05-2006		MATERIAL NUMBER		REVISION		
						1731070806		2		
REPLACEMENT FOR:		FRIST ANGLE PROJECTION		DRAWING		DOCUMENT NUMBER		CUSTOMER		SHEET NUMBER
1731070806_Rev. A1				A3-SIZE		F3W3SC-1640		GENERAL MARKET		1 OF 1

COMMENT: ALL RIGHTS ARE RESERVED BY US FOR THIS DRAWING. WITHOUT OUR PRIOR CONSENT, IT MAY NEITHER BE DUPLICATED NOR MADE AVAILABLE TO A THIRD PARTY. AND IT ALSO MAY NOT BE IMPROPERLY USED BY THE RECEIVER, OR A THIRD PARTY.